

TABLE OF CONTENTS

Section		Page
I	Introduction	1
II	Group Assembly Parts List Radio Receiver SP-600-JX-17	4
III	Reference Symbol List	46
IV	Special Service Tools List	48
V	Numerical Parts Index	49

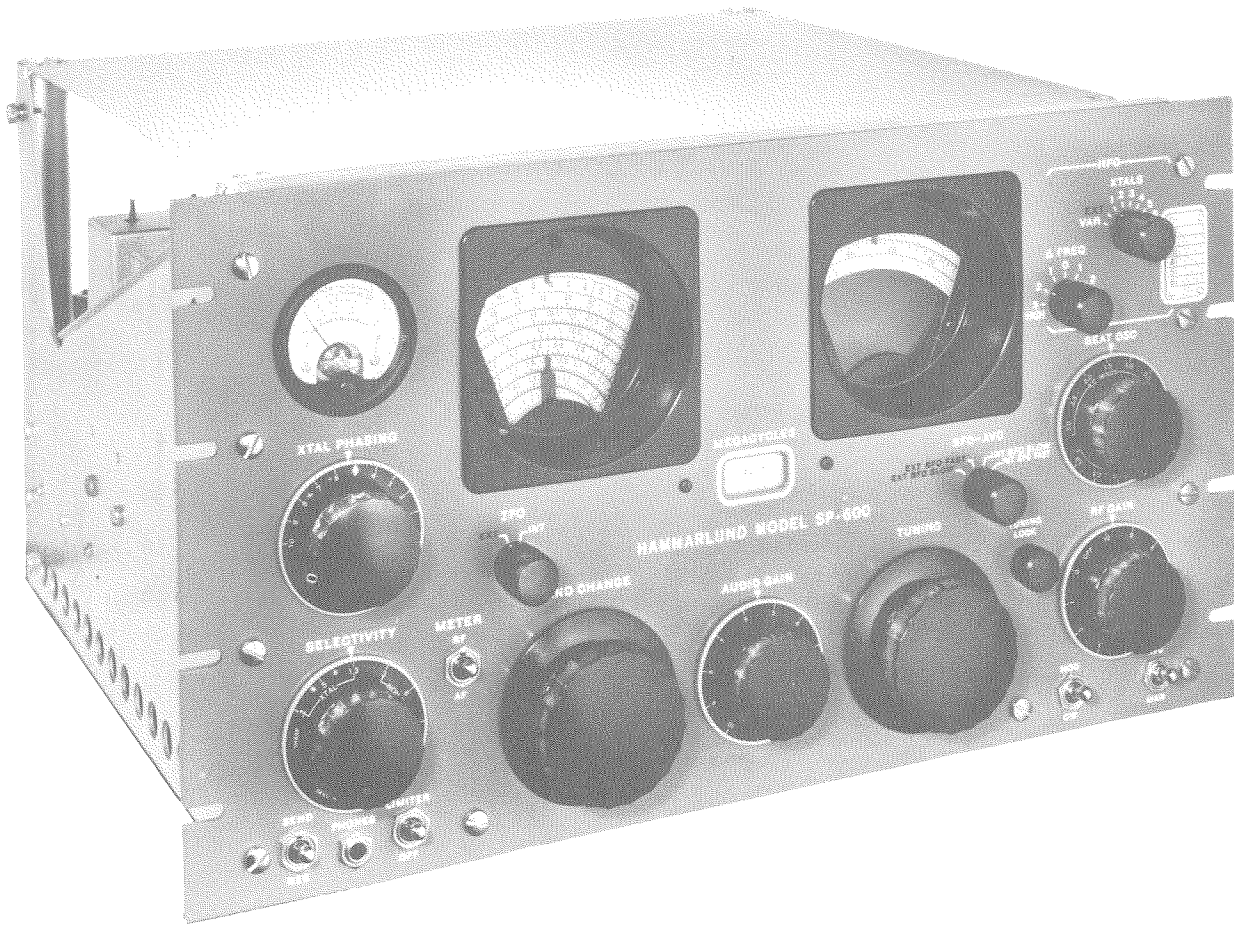


Figure 1. Radio Receiver, Model SP-600-JX-17, Rack Mountings



Figure 1. Radio Receiver, Model SP-600-JX-17, Rack Mountings

SECTION I

INTRODUCTION

1-1. IDENTIFICATION. This publication is a parts catalog for the Hammarlund Radio Receiver, Diversity Model SP-600-JX-17, Rack Mountings, illustrated in figure 1.

1-2. PURPOSE. The parts catalog is intended for use by personnel concerned with supply and maintenance, for requisitioning, storing, issuing and identifying new and reclaimed parts, and for the determination of assembly and disassembly sequences. It consists of a Group Assembly Parts List, a Reference Symbol List, a Special Service Tools List, and a Numerical Parts Index. The Reference Symbol used to designate an item also identifies the item in the associated handbook publications designated AN 16-45-433, AN 16-45-434, and AN 16-45-435, respectively concerned with the operation, service, and overhaul of the receiver.

1-3. GROUP ASSEMBLY PARTS LIST. The Group Assembly Parts List in Section II is a listing of the items comprising the receiver in their proper sequence of disassembly. Each item whether a sub-assembly or part is keyed to an illustration which shows the items comprising an assembly in isometric exploded view. The extent of the disassembly shown for each item is dependent on whether it is more practical to replace the item or any one of the parts which comprise it. Certain of the items listed in the Group Assembly Parts List are subassemblies or sub-subassemblies for which certain replaceable parts comprising them are listed, so that these parts may be identified for replacement apart from the complete item. Items, if any, which need not follow a prescribed order of disassembly, such as resistors, capacitors, etc., are listed first for certain of the illustrations. The columnar headings used in the Group Assembly Parts List are defined in the following manner:

a. The Figure and Index No. associated with a specific item keys the item by Figure number or Figure and Index number to the illustration of the item in the Group Assembly Parts List.

b. The Part Number associated with a specific item identifies the item with the corresponding Hammarlund drawing/part number in all instances for items peculiar to the receiver, i. e., expressly designed, altered in design, or processed for the receiver. Commercial items are assigned the prime manufacturer's part number except in instances of Government standard items which are assigned the applicable JAN, AN, NAVY, or Sig C Government numbers. Commercial hardware and other commercial items not identified by prime manufacturer's part number are designated Coml. When a part number other than the prime manufacturer's part number, for any reason has been assigned to an item in the Group Assembly Parts List

both numbers are shown in their proper numerical sequence in the Numerical Parts Index and the number which is not given in the Part Number column of the Group Assembly Parts List incorporates a note for reference to the proper number.

c. The Reference Symbol associated with a specific item is in accordance with JANP 109, Manual of Standard Descriptions, said designations providing circuit identification for specific items in maintenance activities.

d. The Name and Description associated with a specific item is in accordance with the main modifiers describing the item as per JANP 109, Manual of Standard Descriptions. Commercial items show in parentheses the code designation assigned the name of the prime manufacturer in accordance with ANA Bulletin No. 262d, as identified in paragraph 1-7. When the item is an attaching item such as an item of hardware, it is listed immediately following the item or items it attaches and in parentheses is designated (Att. Pt.) or (Att. Pt. for items 1, 2, etc.), as applicable.

e. The Units Per Assembly associated with a specific item is the numerical occurrence of the item in the assembly. When the item listed is a bulk item, AR, meaning As Required, is the symbol used to designate the Units Per Assembly. When the item listed in an assembly is relisted in a subsequent listing, then Ref, meaning included for reference only, is the symbol used to designate the Units Per Assembly. This is so since the items Units Per Assembly are accounted for the first time it is listed.

f. The designation Application associated with a specific item provides for associating a predetermined code with the item. When the items are coded a, b; c, d; e, f; g, h; i, j; k, l; or m, n, said coding is associated with two subassemblies which are identical but whose Reference Symbol is different, as are those for the items included in each. When the Application code column is blank the item is applicable without restriction to the assembly of which it is part.

1-4. REFERENCE SYMBOL LIST. The Reference Symbol List in Section III lists the Reference Symbol items included in the Group Assembly Parts List by Reference Symbol and Figure and Index No. corresponding to the item. In terms of the known Reference Symbol, the Figure and Index No. provides for the rapid location of the illustration and description of the item in the Group Assembly Parts List. The item Reference Symbols are listed in alphabetical-numerical sequence whereby the required Reference Symbol may be rapidly located in the listings.

1-5. SPECIAL SERVICE TOOLS LIST. The Special Service Tools List in Section IV illustrates and identifies the special service tools used during the dis-

assembly and subsequent reassembly of the receiver. Each tool is identified by Hammarlund Tool Number, Tool Name, and its receiver Application. The tool Figure and Index Number keys the tool to its illustration.

1-6. NUMERICAL PARTS INDEX. The Numerical Parts Index in Section V lists each item appearing in the Group Assembly Parts List by Part Number, or main noun modifier in instances of commercial (Coml) items. The Coml items are listed first in alphabetical order and are followed by the Part Number items in alphabetical-numerical sequence. The part number arrangement begins with the extreme left-hand position and continues from left to right, one position at a time, thereby resulting in the numerical arrangement used. The order of precedence of the first position arrangement is by letters from A through Z and then by numerals from 0 through 9; alphabetic O's being considered as numeric zeros. Second and succeeding position arrangements are by space (blank column), dash (-), letters A through Z, and numerals 0 through 9; alphabetic O's being considered as numeric zeros. When a Part Number or main noun modifier is applicable to several Figure and Index Numbers each occurrence is listed in the index, except in instances of Government Standard Parts for which the Figure and Index Number of the first occurrence only of such a part in the Group Assembly Parts List is listed in the index. In each instance the Numerical Parts Index lists the Stock Number (Code and Serial), and the Total Per Equipment or quantity complement of the item for the receiver.

1-7. MANUFACTURER'S CODE DESIGNATIONS. The following list identifies the code applicable to a specific manufacturer.

CODE	MANUFACTURER'S NAME
AB	Allen-Bradley Co. New York, N. Y.
AEV	Aerovox Corp. New Bedford, Mass.
ALN	Allen Mfg. Co., The Hartford, Conn.
ALP	Alden Products Co. Brockton, Mass.
AMP	American Phenolic Corp. New York, N. Y.
BBR	Birnback Radio Co. New York, N. Y.
BEI	Beede Electrical Instrument Co. Penacook, N. H.
BHE	Birtcher Corp. Los Angeles, Cal.
BLY	Bliley Electric Co. New York, N. Y.

CODE	MANUFACTURER'S NAME
BUS	Bussmann Mfg. Co. New York, N. Y.
BWA	Barnes Wallace Co. Bristol, Conn.
CAF	Canfield Rubber Co. New York, N. Y.
CHL	Crowley, Henry L., and Co., Inc. West Orange, N. J.
CIN	Cinch Mfg. Corp. New York, N. Y.
CUT	Cutler-Hammer, Inc. New York, N. Y.
EBY	Eby, Hugh H. Inc. Philadelphia, Pa.
ELII	Electrical Industries, Inc. Newark, N. J.
FNK	Franklin, A. W., Mfg. Corp. Long Island City, N. Y.
GRE	Graybar Electric Co., Inc. New York, N. Y.
HAH	Hart and Hegeman New York, N. Y.
HEMA	Heyman Mfg. Co. Kenilworth, N. J.
HU	Houston Corp. Los Angeles, Cal.
ICA	Insuline Corp. of America Long Island City, N. Y.
IFCO	Industrial Fastener Corp. New York, N. Y.
IRC	International Resistance Co. Philadelphia, Pa.
ISO	Isolantite, Inc. Sterling, N. J.
IVI	Irvington Varnish and Insulator Co. Irvington, N. J.
JFE	Jeffers Electronics Co. St. Mary's, Pa.
JNS	Jones, Howard B. Chicago, Ill.
LTF	Littelfuse, Inc. Chicago, Ill.
LTJI	T. J. Long, Inc. Carle Place, L. I.

CODE	MANUFACTURER'S NAME
MAL	Mallory, P. R. and Co., Inc. New York, N. Y.
MSM	Metal Specialties Mfg. Co. Long Island City, N. Y.
MODE	Model Eng. and Mfg. Co. Huntington, Ind.
NL	National Lock Washer Co., The Newark, N. J.
NVF	National Vulcanized Fibre Co. New York, N. Y.
OAK	Oak Mfg. Co. Chicago, Ill.
PHE	Pheoll Mfg. Co. New York, N. Y.
SH	Shakeproof, Inc. Elgin, Ill.
SKL	Sickles, F. W. Springfield, Mass.
SWLC.	Schott, Walter L., Co. New York, N. Y.
TTE	Times Facsimile Corp. New York 19, N. Y.

CODE	MANUFACTURER'S NAME
UNT	United Transformer Co. New York, N. Y.
WS	Weston Electrical Instrument Corp. New York, N. Y.
ZE	Zierick Mfg. Corp. New Rochelle, N. Y.

1-8. ITEM IDENTIFICATION. To facilitate the rapid and accurate use of the catalog, use one of the following procedures to identify the item.

a. When the Part Number is known. If it is desired to find the illustration or description of an item and the part number is known, refer to the Numerical Parts Index, Section V. Find the part number in the Part Number column. The corresponding number in the Figure and Index Number column is the figure and index number of the illustration and listing of the item in the Group Assembly Parts List, Section II.

b. When the Part Number is not known. If it is desired to find the part number of an item refer to the applicable illustration of the assembly in which the item is used. Locate the item on the illustration, find its index number, and then refer to the associated item list to determine the part number.

c. When the Reference Symbol is known. If it is desired to find the part number, description, or illustration of an item and the Reference Symbol is known, refer to the Reference Symbol List, Section III, to determine the figure and index number of the item.

SECTION II
GROUP ASSEMBLY PARTS LIST

FIG & INDEX NO.	PART NUMBER	REF SYMBOL	NAME AND DESCRIPTION							UNITS PER ASSY	APPLI- CATION
			1	2	3	4	5	6	7		
			RADIO RECEIVER SP-600-JX-17, RACK MOUNTINGS								
2	33910-2	-	Radio Receiver SP-600-JX-17, Rack Mountings							1	
-1	33911-2	-	. Chassis and Panel Assembly (See Figure 3 for assy breakdown)							1	
-2	31145-1	-	. Plate, bottom							1	
-3	Coml	-	. Screw, mach: slot drive; binding hd; steel, cad. pl; No. 10-32, 5/16 in. lg; incl ext tooth steel cad. pl washer 0.408 in. dia x 0.024 in. thick (IFCO) (Att. Pt.)							7	
-4	31476-1	-	. Plate, cover							1	
-5	10041-1	-	. Screw, thumb (Att. Pt.)							4	
-6	31477-1	-	. Packing, rubber							1	

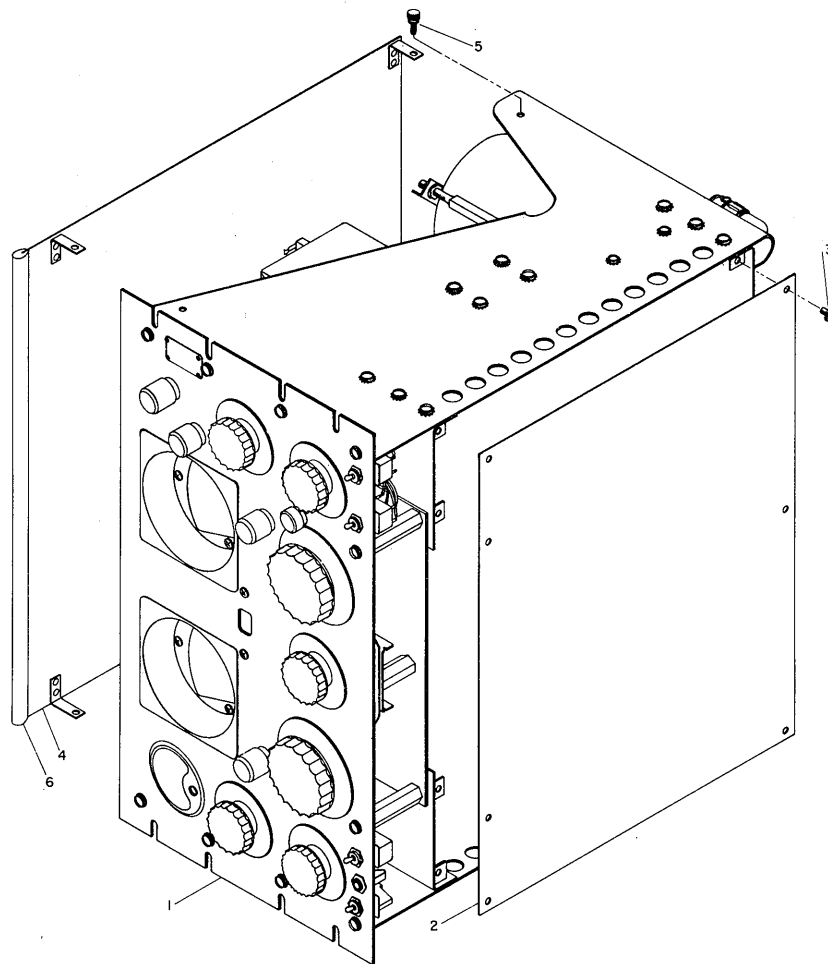


Figure 2. Radio Receiver SP-600-JX-17 Rack Mountings

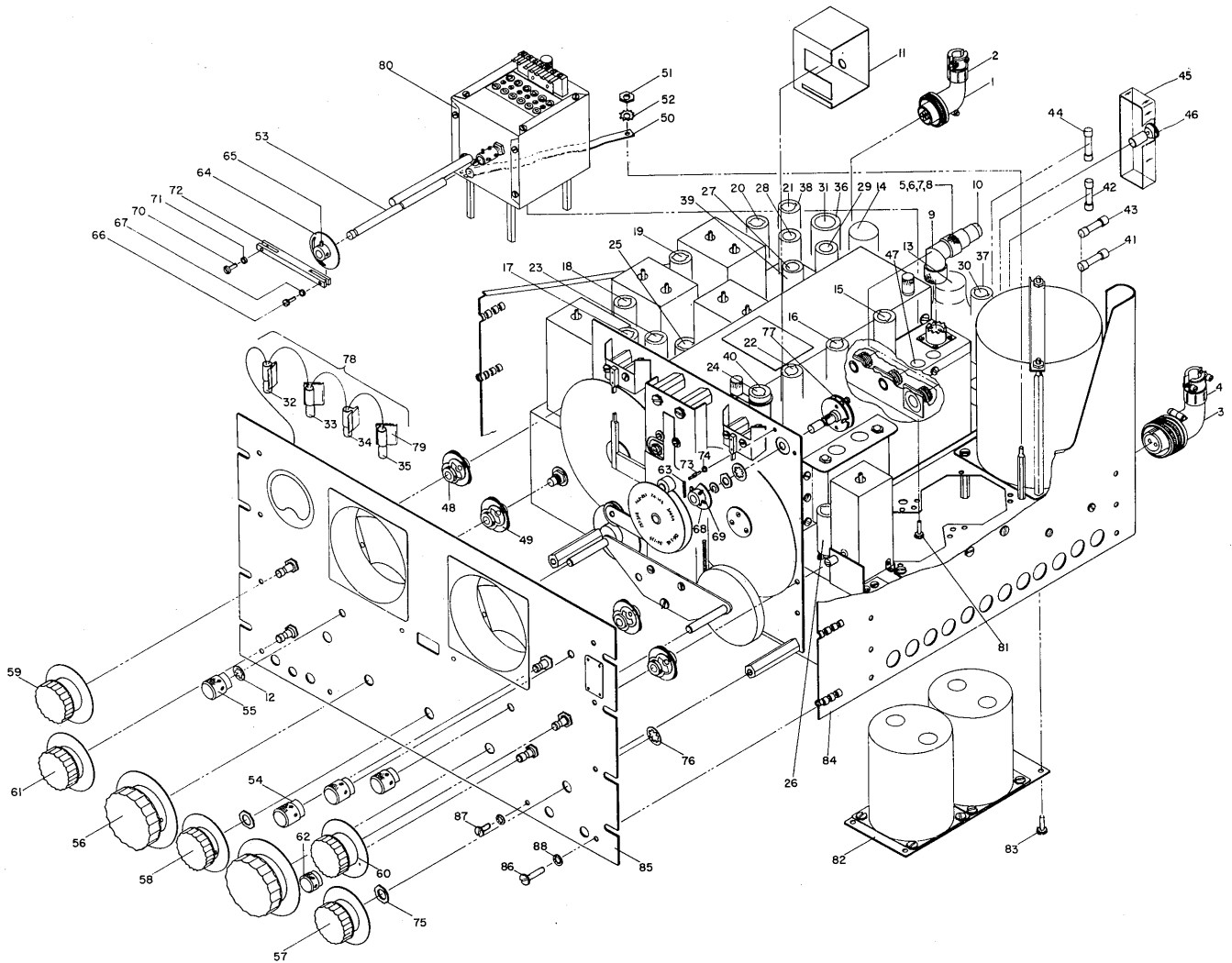


Figure 3. Chassis and Panel Assembly

FIG & INDEX NO.	PART NUMBER	REF SYMBOL	NAME AND DESCRIPTION							UNITS PER ASSY	APPLI-CATION
			1	2	3	4	5	6	7		
			RADIO RECEIVER SP-600-JX-17, RACK MOUNTINGS CHASSIS AND PANEL ASSEMBLY								
3	33911-2	-	Chassis and Panel Assembly (See Figure 2-1 for next higher assy)							Ref	
-1	AN3108B-14S-2P	P4	. Connector, male contact: angle							1	
-2	AN3057-6	-	. Clamp, cable: for P4; with rubber washer, screws, and lockwashers							1	
-3	AN3108B-18-3S	P5	. Connector, female contact: angle							1	
-4	AN3057-10	-	. Clamp, cable: for P5; with rubber washer, screws, and lockwashers							1	
-5	PL-259	P1	. Connector, male contact (Sig C)							1	
-6	PL-259	P2	. Connector, male contact (Sig C)							1	
-7	PL-259	P6	. Connector, male contact (Sig C)							1	
-8	PL-259	P7	. Connector, male contact (Sig C)							1	
-9	M-359	-	. Connector, male and female contact: for P1, P2, P6, and P7 (Sig C)							4	
-10	16642-1	-	. Adapter, reducer: for P1, P2, P6, and P7 (Altered from Part No. 83-168 AMP)							4	
-11	33924-1	-	. Shield, contact: for S3 switch							1	
-12	AN936A616	-	. Washer, lock: at tuning lock, S12, and S13 (Att. Pt.)							3	
-13	JAN 5R4GY	V19	. Tube, electron [MIL-E-1B (1)]							1	
-14	JAN 6V6GT	V17	. Tube, electron [MIL-E-1B (1)]							1	
-15	JAN 6BA6	V1	. Tube, electron [MIL-E-1B (1)]							1	
-16	JAN 6BA6	V2	. Tube, electron [MIL-E-1B (1)]							1	

Section II
Group Assembly Parts List

AN 16-45-436

FIG & INDEX NO.	PART NUMBER	REF SYMBOL	NAME AND DESCRIPTION							UNITS PER ASSY	APPLI- CATION
			1	2	3	4	5	6	7		
RADIO RECEIVER SP-600-JX-17, RACK MOUNTINGS CHASSIS AND PANEL ASSEMBLY (cont)											
3-17	JAN 6BA6	V7	1	
-18	JAN 6BA6	V9	1	
-19	JAN 6BA6	V10	1	
-20	JAN 6BA6	V11	1	
-21	JAN 6BA6	V12	1	
-22	JAN 6BE6	V5	1	
-23	JAN 6BE6	V6	1	
-24	JAN 6C4	V4	1	
-25	JAN 6C4	V8	1	
-26	JAN 6C4	V13	1	
-27	JAN OA2	V18	1	
-28	JAN 6AL5	V14	1	
-29	JAN 6AL5	V15	1	
-30	JAN 6AL5	V20	1	
-31	JAN 12AU7	V16	1	
-32	47	E101	1	
-33	47	E102	1	
-34	47	E103	1	
-35	47	E104	1	
-36	TS103U02	-	1	
-37	TS102U01	-	3	
-38	TS102U02	-	11	
-39	TS102U03	-	1	
-40	31449-1	-	1	
-41	MDL 1-6/10	F1	1	
-42	MDL 1-6/10	-	1	
-43	AGC 3/8	F2	1	
-44	AGC 3/8	-	1	
-45	31494-1	-	1	
-46	31495-1	-	1	
-47	350-2	-	10	
-48	415-3	-	3	
-49	415-2	-	1	
-50	31423-1	-	1	
-51	Coml	-	2	
-52	AN936B8	-	2	
-53	31446-1	-	1	
-54	31434-1	-	1	
-55	31434-2	-	3	
-56	31215-1	-	2	
-57	31227-1	-	1	
-58	31227-2	-	1	
-59	31227-3	-	1	
-60	31227-4	-	1	
-61	31227-5	-	1	
-62	31462-1	-	1	
-63	6039-1	-	1	
-64	31435-1	-	1	
-65	Coml	-	2	
-66	31470-1	-	1	
-67	AN935-4	-	1	
-68	31436-1	-	1	
-69	Coml	-	2	
-70	31470-1	-	1	
-71	AN935-4	-	1	
-72	31433-1	-	1	
-73	31437-1	-	1	
-74	AN935-6	-	1	
-75	10012-90	-	2	
-76	AN936A616	-	2	
-77	31469-1	S3	1	
-78	31453-1	-	1	
-79	81	-	4	
-80	31409-2	-	1	

FIG & INDEX NO.	PART NUMBER	REF SYMBOL	NAME AND DESCRIPTION							UNITS PER ASSY	APPLI- CATION
			1	2	3	4	5	6	7		
			RADIO RECEIVER SP-600-JX-17, RACK MOUNTINGS CHASSIS AND PANEL ASSEMBLY (cont)								
3-81	Coml	-	.	Screw, mach: slot drive; binding hd; steel, cad. pl; No. 8-32, 1/2 in. lg; incl ext tooth steel cad. pl washer 0.317 in. dia x 0.021 in. thick (IFCO) (Att. Pt.)						4	
-82	31447-1	-	.	Filter Assembly (See Figure 5 for assy breakdown)						1	
-83	Coml	-	.	Screw, mach: slot drive; binding hd; steel, cad. pl; No. 10-32, 1/2 in. lg; incl ext tooth steel cad. pl washer 0.408 in. dia x 0.024 in. thick (IFCO) (Att. Pt.)						4	
-84	33912-2	-	.	Chassis and Tuning Unit Assembly (See Figure 7 for assy breakdown)						1	
-85	31238-4	-	.	Panel Assembly (See Figure 6 for assy breakdown)						1	
-86	10023-48	-	.	Screw, mach (Att. Pt.)						8	
-87	Coml	-	.	Screw, mach: No. 10-32, 1/2 in. lg (PHE) (Att. Pt.)						2	
-88	AN936A10	-	.	Washer, lock (Att. Pt.)						10	
			RADIO RECEIVER SP-600-JX-17, RACK MOUNTINGS FREQUENCY CONTROL UNIT ASSEMBLY								
4	31409-2	-	.	Frequency Control Assembly (See Figure 3-80 for next higher assy)						Ref	
-1	TS102U02	-	.	Shield, tube						1	
-2	JAN 6AH6	V3	.	Tube, electron [MIL-E-1B (1)]						1	
-3	PL-259	P8	.	Connector, male contact (Sig C)						1	
-4	16642-1	-	.	Adapter, reducer: for P8; (Altered from Part No. 83-168 AMP)						1	
-5	Coml	-	.	Tubing: covers six insulated wire leads; extruded plastic vinylite, black; hyflex, wire size No. 3 (IVI)						AR	
-6	RC20BF681K	R71	.	Resistor, fixed (JAN-R-11)						1	
-7	Coml	-	.	Tubing: covers resistor pigtail leads; extruded plastic vinylite, black; hyflex, wire size No. 17 (IVI)						AR	
-8	31411-1	-	.	Cover						1	
-9	Coml	-	.	Screw, mach: slot drive; binding hd; steel, cad. pl; No. 4-40, 1/4 in. lg; incl ext tooth steel cad. pl washer 0.254 in. dia x 0.019 in. thick (IFCO) (Att. Pt.)						12	
-10	31419-1	-	.	Post, supporting						3	
-11	31419-2	-	.	Post, supporting						1	
-12	10052-9	-	.	Sleeve, spacer						2	
-13	33916-1	-	.	Resistor-Capacitor Subassembly						1	
-14	33914-1	E11	.	Board, terminal						1	
-15	23071-72	C45	.	Capacitor, fixed: 59 mmf $\pm 1\%$						1	
-16	Coml	C60	.	Capacitor, fixed: 10,000 mmf (AEV type P488 or P487)						1	
-17	Coml	C61	.	Capacitor, fixed: 10,000 mmf (AEV type P488 or P487)						1	
-18	15623-1	L23	.	Coil, RF: 3.55 uh						1	
-19	15622-1	L35	.	Coil, RF: 25.5 uh						1	
-20	RC20BF181K	R25	.	Resistor, fixed (JAN-R-11)						1	
-21	RC20BF821J	R102	.	Resistor, fixed (JAN-R-11)						1	
-22	33922-1	T35	.	Transformer, RF: filter; two taps						1	
-23	Coml	-	.	Screw, mach: binding hd; No. 6-32, 3/4 in. lg (PHE) (Att. Pt.)						1	
-24	AN936B6	-	.	Washer, lock (Att. Pt.)						1	
-25	10012-41	-	.	Nut, hex (PHE) (Att. Pt.)						1	
-26	2104-6	-	.	Terminal, lug: cad. pl (SH)						1	
-27	AN936B6	-	.	Washer, lock (Att. Pt.)						1	
-28	Coml	-	.	Screw, mach: binding hd; No. 6-32, 1 in. lg (PHE) (Att. Pt.)						2	
-29	Coml	-	.	Screw, mach: slot drive; binding hd; steel, cad. pl; No. 6-32, 5/16 in. lg; incl ext tooth steel cad. pl washer 0.270 in. dia x 0.021 in. thick (IFCO) (Att. Pt.)						2	
-30	Coml	C101	.	Capacitor, fixed: 10,000 mmf (AEV type P488 or P487)						1	
-31	2666	-	.	Grommet: neoprene (CAF)						1	
-32	Coml	-	.	Tubing: covers six insulated wire leads at clamp; extruded plastic vinylite, black; hyflex, wire size No. 3 (IVI)						AR	
-33	78	-	.	Clamp: #6 mtg hole (ZE)						1	
-34	AN936B6	-	.	Washer, lock (Att. Pt.)						1	
-35	Coml	-	.	Screw, mach: slot drive; binding hd; steel, cad. pl; No. 6-32, 5/16 in. lg; incl ext tooth steel cad. pl washer 0.270 in. dia x 0.021 in. thick (IFCO) (Att. Pt.)						1	
-36	10012-41	-	.	Nut, hex (PHE) (Att. Pt.)						1	
-37	Coml	-	.	Tubing: covers bare wires; extruded plastic vinylite black; hyflex, wire size No. 17 (IVI)						AR	
-38	33917-1	-	.	Resistor-Capacitor Subassembly						1	
-39	33915-1	E12	.	Board, terminal						1	

FIG & INDEX NO.	PART NUMBER	REF SYMBOL	NAME AND DESCRIPTION	UNITS PER ASSY	APPLI- CATION
RADIO RECEIVER SP-600-JX-17, RACK MOUNTINGS FREQUENCY CONTROL UNIT ASSEMBLY (cont)					
4-40	CM30C102G	C62	. . Capacitor, fixed (JAN-C-5)	1	
-41	CM30C102G	C64	. . Capacitor, fixed (JAN-C-5)	1	
-42	15617-1	L21	. . Coil, RF: one mh	1	
-43	RC20BF181K	R24	. . Resistor, fixed (JAN-R-11)	1	
-44	RC20BF181K	R120	. . Resistor, fixed (JAN-R-11)	1	
-45	RC30BF104K	R34	. . Resistor, fixed	1	
-46	23003-47C	C63	. . Capacitor, fixed	1	
-47	10052-29	-	. Sleeve, spacer	2	
-48	AN936B6	-	. Washer, lock (Att. Pt.)	2	
-49	Coml	-	. Screw, mach: binding hd; No. 6-32, 1 in. lg (PHE) (Att. Pt.)	2	
-50	RC20BF223K	R23	. Resistor, fixed (JAN-R-11)	1	
-51	15879-2	S2	. Switch, rotary (MAL Series 3100)	1	
-52	10012-90	-	. Nut, hex (Att. Pt.)	1	
-53	11726-109	C65	. Capacitor, variable: air dielectric	1	
-54	Coml	-	. Screw, mach: flat hd; No. 4-40, 1/4 in. lg (PHE) (Att. Pt.)	1	
-55	Coml	-	. Screw, mach: slot drive; binding hd; steel, cad. pl; No. 4-40, 1/4 in. lg; incl ext tooth steel cad. pl washer 0.254 in. dia x 0.019 in. thick (IFCO) (Att. Pt.)	1	
-56	31275-1	-	. Coupling, rigid (Incl four No. 8-32 set screws)	1	
-57	CC-80W-PP	E19	. Insulator, feed-thru (ELII)	1	
-58	31483-1	-	. Plate, mounting: for feed-thru insulator	1	
-59	31412-1	-	. Plate, mounting	1	
-60	9748-1	X21	. Socket, crystal (EBY)	1	
-61	9748-1	X22	. Socket, crystal (EBY)	1	
-62	9748-1	X23	. Socket, crystal (EBY)	1	

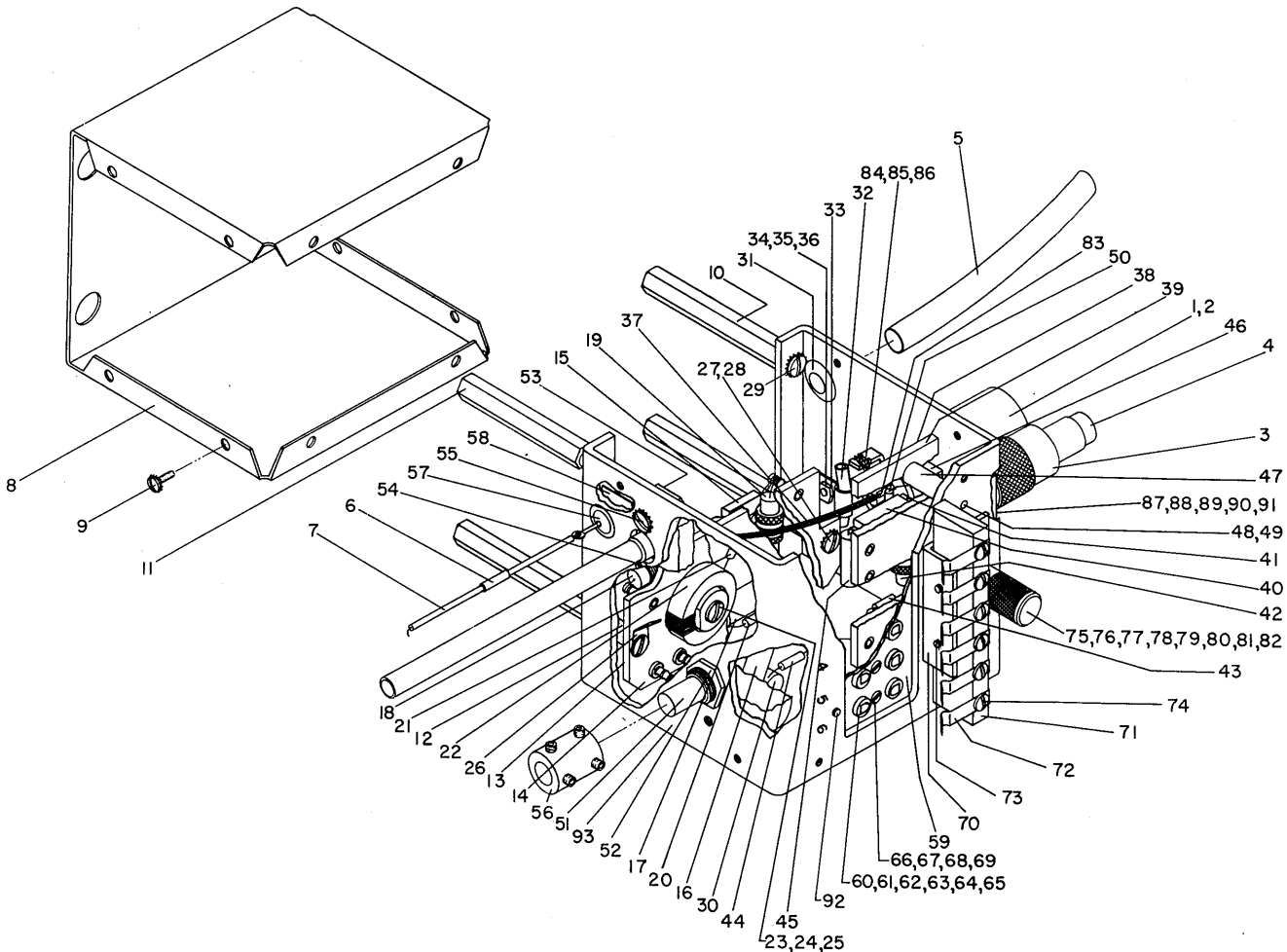


Figure 4. Frequency Control Unit Assembly

FIG & INDEX NO.	PART NUMBER	REF SYMBOL	NAME AND DESCRIPTION	UNITS PER ASSY	APPLI- CATION
RADIO RECEIVER SP-600-JX-17, RACK MOUNTINGS FREQUENCY CONTROL UNIT ASSEMBLY (cont)					
4-63	9748-1	X24	. Socket, crystal (EBY)	1	
-64	9748-1	X25	. Socket, crystal (EBY)	1	
-65	9748-1	X26	. Socket, crystal (EBY)	1	
-66	Coml	-	. Screw, mach: flat hd No. 4-40, 7/16 in. lg (PHE) (Att. Pt.)	6	
-67	10002-16	-	. Washer, flat (NVF)	6	
-68	AN936A4	-	. Washer, lock (Att. Pt.)	6	
-69	Coml	-	. Nut, hex: No. 4-40 x 1/4 in. across flats (PHE) (Att. Pt.)	6	
-70	31416-1	-	. Bracket: for crystal spring supports	1	
-71	31415-1	-	. Support, mounting base: crystal spring support	1	
-72	31417-1	-	. Spring, flat type	6	
-73	Coml	-	. Screw, mach: slot drive; binding hd; steel, cad. pl; No. 6-32, 3/8 in. lg; incl ext tooth cad. pl washer 0.270 in. dia x 0.021 in. thick (IFCO) (Att. Pt.)	2	
-74	Coml	-	. Screw, mach: slot drive; rd hd; steel, cad. pl; No. 4-40, 1/4 in. lg; incl int tooth steel cad. pl washer 0.200 in. dia x 0.019 in. thick (IFCO) (Att. Pt.)	6	
-75	31414-1	-	. Plate, spacer	1	
-76	Coml	-	. Screw, mach: slot drive; binding hd No. 8-32, 5/8 in. lg (PHE) (Att. Pt.)	2	
-77	Coml	-	. Nut, hex: No. 8-32 x 11/32 in. across flats (PHE) (Att. Pt.)	2	
-78	31418-1	-	. Bushing; spacer	4	
-79	10007-58	-	. Washer: spacer	4	
-80	AN936A8	-	. Washer, lock (Att. Pt.)	2	
-81	31413-1	-	. Screw, thumb	1	
-82	WA510	-	. Ring, retainer: "C" shape; cad. pl (NL)	1	
-83	TS102P01	X3	. Socket, tube (JAN-S-28A)	1	
-84	16174-1	-	. Plate, anchor: "U" shape	1	
-85	AN936A4	-	. Washer, lock	2	
-86	Coml	-	. Screw, mach: slot drive; rd hd; steel, cad. pl; No. 4-40, 5/16 in. lg; incl int tooth steel cad. pl washer 0.200 in. dia x 0.019 in. thick (IFCO) (Att. Pt.)	2	
-87	SO-239	J8	. Connector, female contact (Sig C)	1	
-88	2102-4	-	. Terminal, lug: cad. pl (SH)	1	
-89	Coml	-	. Screw, mach: slot drive; rd hd; steel, cad. pl; No. 4-40, 1/4 in. lg; incl int tooth steel cad. pl washer 0.200 in. dia x 0.019 in. thick (IFCO) (Att. Pt.)	3	
-90	Coml	-	. Screw, mach: slot drive; rd hd; steel, cad. pl; No. 4-40, 5/16 in. lg; incl int tooth steel cad. pl washer 0.200 in. dia x 0.019 in. thick (IFCO) (Att. Pt.)	1	
-91	Coml	-	. Nut, hex: No. 4-40 x 1/4 in. across flats (PHE) (Att. Pt.)	1	
-92	Coml	-	. Screw, mach: slot drive; binding hd; steel, cad. pl; No. 6-32, 1/4 in. lg; incl ext tooth steel cad. pl washer 0.270 in. dia x 0.021 in. thick (IFCO) (Att. Pt.)	2	
-93	31410-2	-	. Container: aluminum	1	
RADIO RECEIVER SP-600-JX-17, RACK MOUNTINGS FILTER ASSEMBLY					
5	31447-1	-	Filter Assembly (See Figure 3-82 for next higher assy)	Ref	
-1	31286-1	-	. Plate, mounting	1	
-2	31031-2	L52	. Reactor: filter choke; 20 hy, 115 ma (JAN-T-27) (UNT)	1	
-3	31030-2	L51	. Reactor: filter choke; 8.5 hy, 150 ma (JAN-T-27) (UNT)	1	
-4	31484-1	-	. Bracket: "L" shape	2	
-5	Coml	-	. Screw, mach: slot drive; binding hd; steel, cad. pl; No. 8-32, 3/8 in. lg; incl ext tooth steel cad. pl washer 0.317 dia x 0.021 in. thick (IFCO) (Att. Pt.)	8	
-6	AN936B8	-	. Washer, lock (Att. Pt.)	4	
-7	Coml	-	. Nut, hex: steel cad. pl; No. 8-32 x 11/32 in. across flats, single chamfer (PHE) (Att. Pt.)	4	
-8	Coml	-	. Clamp: capacitor; steel, cad. pl; 1 bolt type; approx 1-3/8 in. dia x 3/8 in. wide x 0.025 in. thick; 0.144 in. dia hole on lip for mtg (MSM)	2	
-9	CE33F200R	C161	. Capacitor, fixed; electrolytic (JAN-C-62)	1	
-10	Coml	-	. Screw, mach: slot drive; binding hd; steel, cad. pl; No. 6-32, 5/16 in. lg; incl ext tooth steel cad. pl washer 0.270 in. dia x 0.021 in. thick (IFCO) (Att. Pt.)	2	

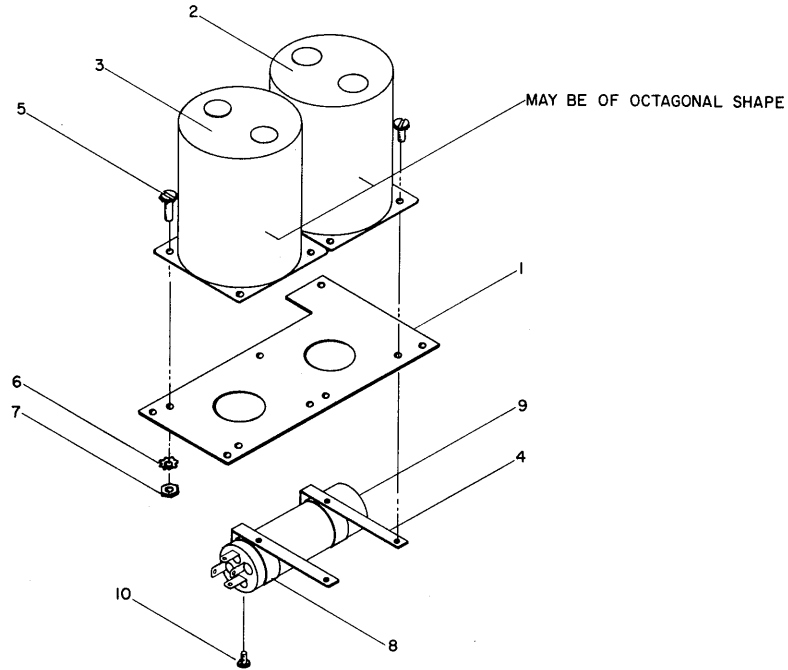


Figure 5. Filter Assembly

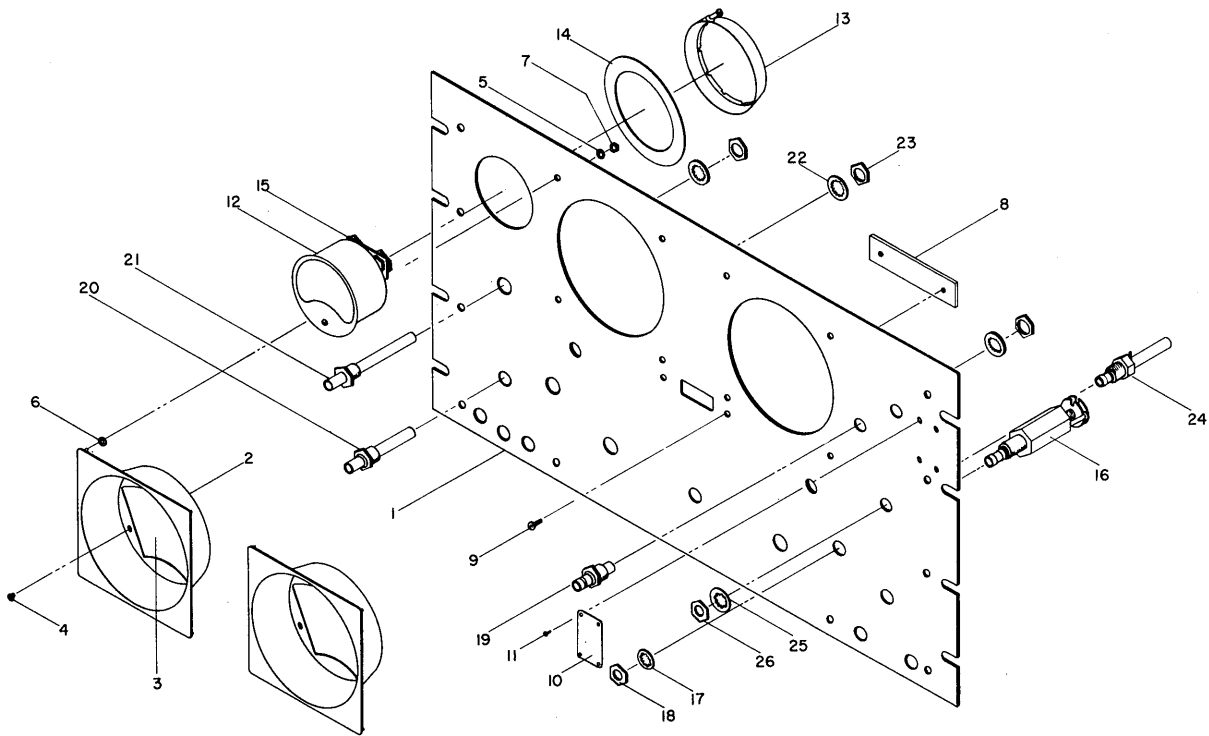


Figure 6. Panel Assembly

FIG & INDEX NO.	PART NUMBER	REF SYMBOL	NAME AND DESCRIPTION							UNITS PER ASSY	APPLI- CATION
			1	2	3	4	5	6	7		
			RADIO RECEIVER SP-600-JX-17, RACK MOUNTINGS PANEL ASSEMBLY								
6	31238-4	-	Panel Assembly (See Figure 3-85 for next higher assy)							Ref	
-1	31219-6	-	. Panel: front							1	
-2	31283-1	-	. Escutcheon							2	
-3	31281-1	-	. Glass: plexiglass							2	
-4	Coml	-	. Screw, mach: Phillips drive, binding hd; No. 4-40, 1/8 in. lg; black rust proof "penetrate" finish (PHE) (Att. Pt.)							6	
-5	AN936A4	-	. Washer, lock							8	
-6	10002-4	-	. Washer, flat: fibre (Att. Pt.)							8	
-7	Coml	-	. Nut, hex: steel, cad. pl; No. 4-40 x 1/4 in. across flats (PHE) (Att. Pt.)							8	
-8	31282-1	-	. Glass: plexiglass							1	
-9	Coml	-	. Screw, mach: Phillips drive, binding hd; No. 4-40, 1/4 in. lg; black rust proof "penetrate" finish (PHE) (Att. Pt.)							2	
-10	31463-1	-	. Chart: vinylite							1	
-11	10013-57	-	. Screw, mach (PHE) (Att. Pt.)							4	
-12	4903-2	-	. Meter, audio level: DC; 0 to 250 ua $\pm 5\%$; 1.0 ma basic movement (BEI Type 411)							1	
-13	D-54108	-	. Clamp: meter (incl adjustment screw) (WS) (Att. Pt.)							1	
-14	33908-1	-	. Washer, neoprene							1	
-15	31454-1	E18	. Board, terminal							1	
-16	31460-1	-	. Tuning Lock Assembly							1	
-17	1220-2	-	. Washer, lock: cad. pl (SH) (Att. Pt.)							1	
-18	10012-90	-	. Nut, hex (Att. Pt.)							1	
-19	31431-1	-	. Shaft and Bushing Assembly							1	
-20	31431-2	-	. Shaft and Bushing Assembly							1	
-21	31431-3	-	. Shaft and Bushing Assembly							1	
-22	AN936A616	-	. Washer, lock (Att. Pt.)							3	
-23	10012-90	-	. Nut, hex (Att. Pt.)							3	
-24	31432-1	-	. Shaft and Bushing Assembly							1	
-25	AN936A616	-	. Washer, lock (Att. Pt.)							1	
-26	10012-90	-	. Nut, hex (Att. Pt.)							1	
			RADIO RECEIVER SP-600-JX-17, RACK MOUNTINGS CHASSIS AND TUNING UNIT ASSEMBLY								
7	33912-2	-	Chassis and Tuning Unit Assembly (See Figure 3-84 for next higher assy)							Ref	
-1	9226-13	-	. Post, spacing							4	
-2	31276-1	-	. Bracket							2	
-3	Coml	-	. Screw, mach: slot drive; binding hd; steel, cad. pl; No. 6-32, 5/16 in. lg; incl ext tooth steel cad. pl washer 0.270 in. dia x 0.021 in. thick (IFCO) (Att. Pt.)							8	
-4	31199-1	-	. Pointer, indicator							2	
-5	AN936A2	-	. Washer, lock (Att. Pt.)							4	
-6	Coml	-	. Screw, mach: rd hd; steel, cad. pl; No. 2-56, 1/4 in. lg (PHE) (Att. Pt.)							4	
-7	31185-1	-	. Mounting, indicator							1	
-8	AN936A2	-	. Washer, lock (Att. Pt.)							4	
-9	Coml	-	. Screw, mach: rd hd; steel, cad. pl; No. 2-56, 1/4 in. lg (PHE) (Att. Pt.)							2	
-10	31186-1	-	. Pointer, indicator							1	
-11	Coml	-	. Screw, mach: rd hd; steel, cad. pl; No. 2-56, 3/8 in. lg (PHE) (Att. Pt.)							2	
-12	31438-1	-	. Dial: main dial							1	
-13	31439-1	-	. Dial: vernier dial							1	
-14	31083-1	-	. Washer, thrust							2	
-15	Coml	-	. Screw, mach: flat hd; steel, cad. pl No. 4-40, 1/4 in. lg (PHE) (Att. Pt.)							6	
-16	31146-2	-	. Plate, side: left							1	
-17	Coml	-	. Screw, mach: slot drive; binding hd; steel, cad. pl; No. 6-32, 5/16 in. lg; incl ext tooth steel cad. pl washer 0.270 in. dia x 0.021 in. thick (IFCO) (Att. Pt.)							1	
-18	31146-1	-	. Plate, side: right							1	
-19	31139-1	-	. Bracket: for rack mtg bottom plate							1	
-20	31142-1	-	. Plate, anchor							3	
-21	31143-1	-	. Plate, anchor							4	
-22	Coml	-	. Screw, mach: slot drive; binding hd; steel, cad. pl; No. 10-32, 3/8 in. lg; incl ext tooth steel cad. pl washer 0.408 in. dia x 0.024 in. thick (IFCO) (Att. Pt. for Items 16, 18, 19, 20 and 21.)							18	
-23	78	-	. Clamp (ZE) (Att. Pt.)							1	

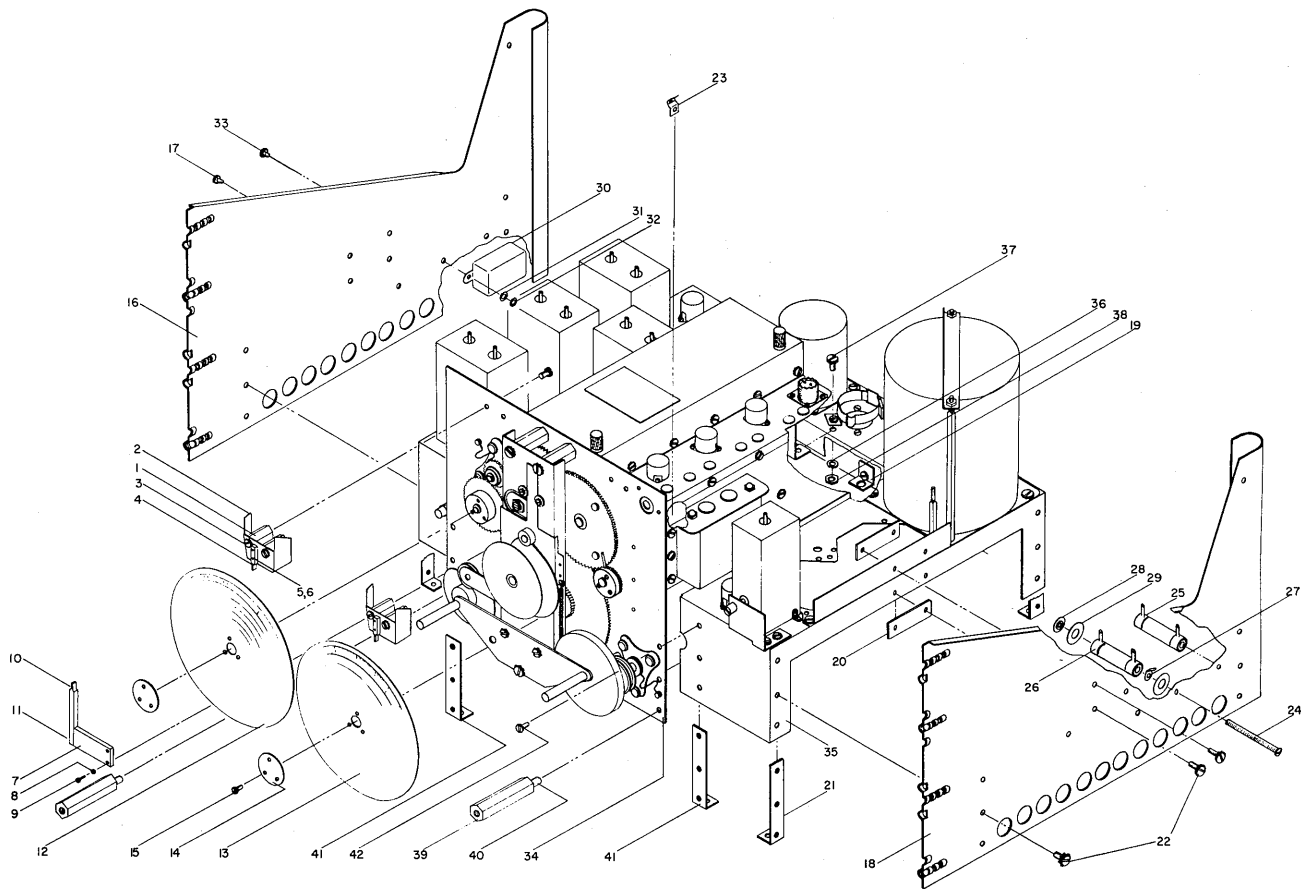


Figure 7. Chassis and Tuning Unit Assembly

FIG & INDEX NO.	PART NUMBER	REF SYMBOL	NAME AND DESCRIPTION							UNITS PER ASSY	APPLI-CATION
			1	2	3	4	5	6	7		
			RADIO RECEIVER SP-600-JX-17, RACK MOUNTINGS CHASSIS AND TUNING UNIT ASSEMBLY (cont)								
7-24	10020-122	-									
-25	Com1	R72								2	
-26	Com1	R73								1	
-27	2104-6	-								1	
-28	P11003	-								4	
-29	10002-62	-								4	
-30	CP53B6EF503V	C139								1	
-31	AN936B6	-								4	
-32	10012-41	-								2	
-33	Com1	-									
-34	31280-3	-								4	
-35	33906-5	-								1	
-36	AN936A10	-								1	
-37	Com1	-									
-38	Com1	-								1	
										1	

FIG & INDEX NO.	PART NUMBER	REF SYMBOL	NAME AND DESCRIPTION							UNITS PER ASSY	APPLI- CATION
			1	2	3	4	5	6	7		
			RADIO RECEIVER SP-600-JX-17, RACK MOUNTINGS CHASSIS AND TUNING UNIT ASSEMBLY (cont)								
7-39	31290-1	-	.	Post, spacing						2	
-40	10010-19	-	.	Stud						2	
-41	31143-1	-	.	Plate, anchor						2	
-42	Coml	-	.	Screw, mach: slot drive; binding hd; steel, cad. pl; No. 10-32, 3/8 in. lg; incl ext tooth steel cad. pl washer 0.408 in. dia x 0.024 in. thick (IFCO) (Att. Pt. for Items 39, 40 and 41)						4	
			RADIO RECEIVER SP-600-JX-17, RACK MOUNTINGS TUNING UNIT ASSEMBLY								
8	31280-3	-	.	Tuning Unit Assembly (See Figure 7-34 for next higher assy)						Ref	
-1	11806-2	-	.	Wrench: No. 6 Allen set screw (ALN)						1	
-2	11806-3	-	.	Wrench: No. 8 Allen set screw (ALN)						1	
-3	11806-4	-	.	Wrench: No. 10 Allen set screw (ALN)						1	
-4	31452-1	-	.	Cover (incl nameplate)						1	
-5	31479-1	-	.	Plate, identification						1	
-6	33	-	.	Clip (BBR)						1	
-7	103	-	.	Clip (BBR)						1	
-8	AN936B6	-	.	Washer, lock (Att. Pt. for Items 4, 6, and 7)						2	
-9	Coml	-	.	Screw, mach: slot drive; binding hd; steel, cad. pl; No. 6-32, 1/4 in. lg; incl ext tooth steel cad. pl washer 0.270 in. dia x 0.021 in. thick (IFCO) (Att. Pt. for Items 4, 6, 7)						10	
-10	31128-1	-	.	Plate, bottom						1	
-11	Coml	-	.	Screw, mach: slot drive; binding hd; steel, cad. pl; No. 6-32, 1/4 in. lg; incl ext tooth steel cad. pl washer 0.270 in. dia x 0.021 in. thick (IFCO) (Att. Pt.)						13	
-12	31376-1	-	.	Cover						1	
-13	AN936B6B	-	.	Washer, lock (Att. Pt.)						2	
-14	10049-2	-	.	Nut, cap: hex (PH) (Att. Pt.)						2	
-15	31378-1	-	.	Cover (incl two spade bolts)						1	
-16	Coml	-	.	Screw, mach: slot drive; binding hd; steel, cad. pl; No. 6-32, 1/4 in. lg; incl ext tooth steel cad. pl washer 0.270 in. dia x 0.021 in. thick (IFCO) (Att. Pt.)						6	
-17	2104-6	-	.	Terminal, lug: cad. pl (SH)						1	
-18	Coml	-	.	Tubing: covers mixer plate cable at clamps; plastic vinylite, black, hyflex No. 1 wire size (IVI)						AR	
-19	78	-	.	Clamp (ZE) (Att. Pt.)						4	
-20	139	-	.	Clamp (ZE) (Att. Pt.)						2	
-21	31183-1	T1	.	Mixer Plate Coil Assembly (See Figure 13 for assy breakdown)						1	
-22	Coml	-	.	Screw, mach: slot drive; rd hd; steel, cad. pl; No. 6-32, 5/8 in. lg; incl ext tooth steel cad. pl washer 0.270 in. dia x 0.021 in. thick (IFCO) (Att. Pt.)						4	
-23	31231-2	-	.	R-F Wiring Assembly (See Figure 12 for assy breakdown)						1	
-24	Coml	-	.	Screw, mach: slot drive; binding hd; steel, cad. pl; No. 6-32, 1/4 in. lg; incl ext tooth steel cad. pl washer 0.270 in. dia x 0.021 in. thick (IFCO) (Att. Pt.)						8	
-25	31155-1	-	.	Plate, anchor						1	
-26	Coml	-	.	Screw, mach: slot drive; binding hd; steel, cad. pl; No. 6-32, 1/4 in. lg; incl ext tooth steel cad. pl washer 0.270 in. dia x 0.021 in. thick (IFCO) (Att. Pt.)						2	
-27	34001-1	C1	.	Capacitor, variable: air dielectric						1	
-28	31119-1	-	.	Washer, flat						1	
-29	Coml	-	.	Screw, mach: slot drive; binding hd; steel, cad. pl; No. 10-32, 1/2 in. lg; incl ext tooth steel cad. pl washer 0.408 in. dia x 0.024 in. thick (IFCO) (Att. Pt.)						1	
-30	31129-1	-	.	Stud						1	
-31	Coml	-	.	Screw, mach: slot drive; binding hd; steel, cad. pl; No. 10-32, 5/16 in. lg; incl ext tooth steel cad. pl washer 0.408 in. dia x 0.024 in. thick (IFCO) (Att. Pt.)						1	
-32	Coml	C102	.	Capacitor, fixed: 22,000 mmf (AEV type P488 or P487)						1	
-33	31291-3	-	.	Gear Train Assembly (See Figure 9 for assy breakdown)						1	
-34	31387-1	E61	.	Tuner, RF: input; 0.54 to 1.35 mc (See Figure 14 for assy breakdown)						1	
-35	31386-1	E68	.	Tuner, RF: interstage; 0.54 to 1.35 mc (See Figure 15 for assy breakdown)						1	
-36	31386-1	E75	.	Tuner, RF: interstage; 0.54 to 1.35 mc (See Figure 15 for assy breakdown)						1	
-37	31385-1	E85	.	Tuner, RF: h-f osc; 0.54 to 1.35 mc (See Figure 16 for assy breakdown)						1	

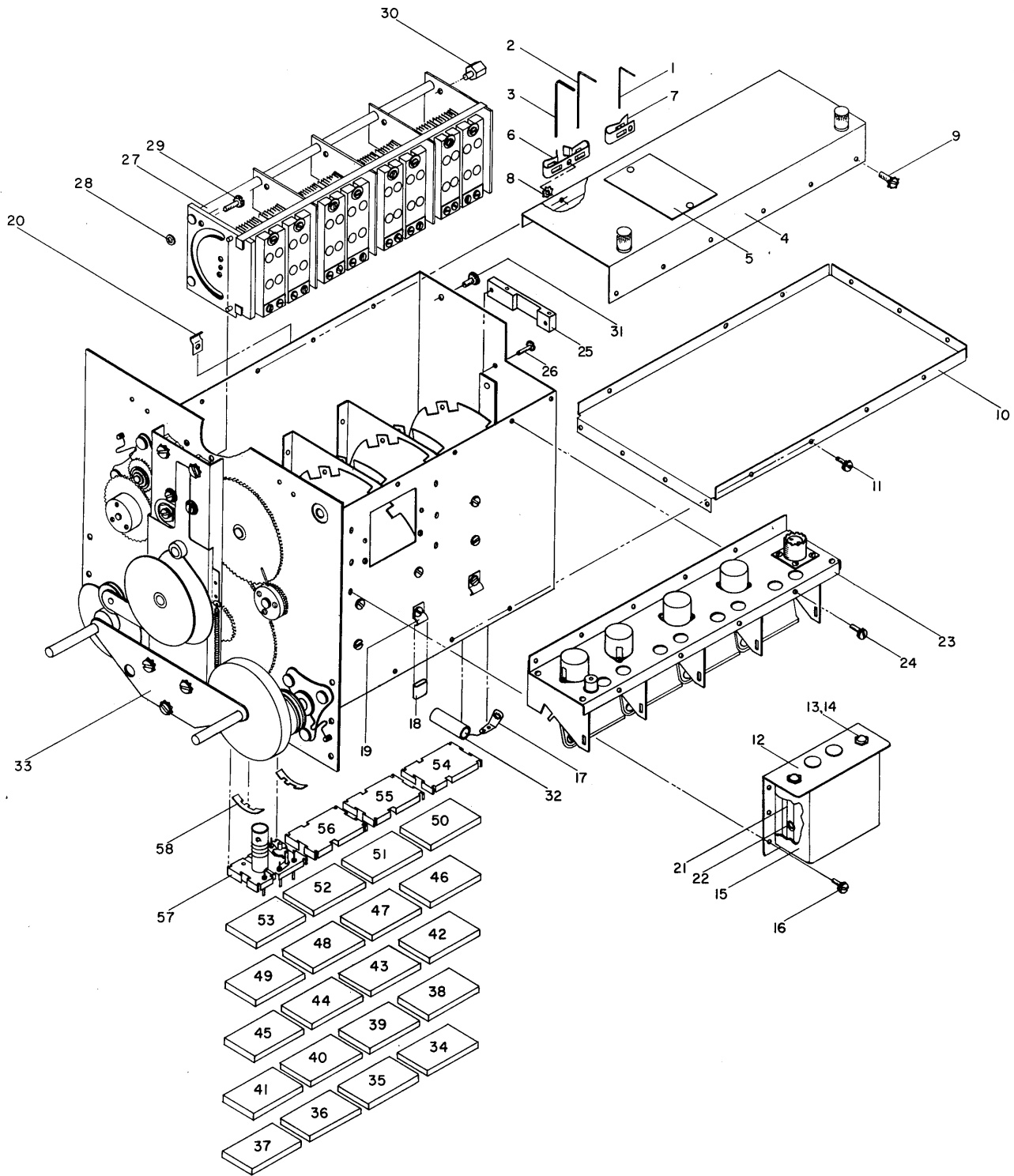


Figure 8. Tuning Unit Assembly

FIG & INDEX NO.	PART NUMBER	REF SYMBOL	NAME AND DESCRIPTION	UNITS PER ASSY	APPLI- CATION
RADIO RECEIVER SP-600-JX-17, RACK MOUNTINGS TUNIT UNIT ASSEMBLY (cont)					
8-38	31390-1	E62	. Tuner, RF: input; 1.35 to 3.45 mc (See Figure 17 for assy breakdown)	1	
-39	31389-1	E69	. Tuner, RF: interstage; 1.35 to 3.45 mc (See Figure 18 for assy breakdown)	1	
-40	31389-1	E76	. Tuner, RF: interstage; 1.35 to 3.45 mc (See Figure 18 for assy breakdown)	1	
-41	31388-1	E86	. Tuner, RF: h-f osc; 1.35 to 3.45 mc (See Figure 19 for assy breakdown)	1	
-42	31393-1	E63	. Tuner, RF: input; 3.45 to 7.4 mc (See Figure 20 for assy breakdown)	1	
-43	31392-1	E70	. Tuner, RF: interstage; 3.45 to 7.4 mc (See Figure 21 for assy breakdown)	1	
-44	31392-1	E77	. Tuner, RF: interstage; 3.45 to 7.4 mc (See Figure 21 for assy breakdown)	1	
-45	31391-1	E87	. Tuner, RF: h-f osc; 3.45 to 7.4 mc (See Figure 22 for assy breakdown)	1	
-46	31396-1	E64	. Tuner, RF: input; 7.4 to 14.8 mc (See Figure 23 for assy breakdown)	1	
-47	31395-1	E71	. Tuner, RF: interstage; 7.4 to 14.8 mc (See Figure 24 for assy breakdown)	1	
-48	31395-1	E78	. Tuner, RF: interstage; 7.4 to 14.8 mc (See Figure 24 for assy breakdown)	1	
-49	31394-1	E88	. Tuner, RF: h-f osc; 7.4 to 14.8 mc (See Figure 25 for assy breakdown)	1	
-50	31399-1	E65	. Tuner, RF: input; 14.8 to 29.7 mc (See Figure 26 for assy breakdown)	1	
-51	31398-1	E72	. Tuner, RF: interstage; 14.8 to 29.7 mc (See Figure 27 for assy breakdown)	1	
-52	31398-1	E79	. Tuner, RF: interstage; 14.8 to 29.7 mc (See Figure 27 for assy breakdown)	1	
-53	31397-1	E89	. Tuner, RF: h-f osc; 14.8 to 29.7 mc (See Figure 28 for assy breakdown)	1	
-54	31405-1	E66	. Tuner, RF: input; 29.7 to 54 mc (See Figure 29 for assy breakdown)	1	
-55	31404-1	E73	. Tuner, RF: interstage; 29.7 to 54 mc (See Figure 30 for assy breakdown)	1	
-56	31404-1	E80	. Tuner, RF: interstage; 29.7 to 54 mc (See Figure 30 for assy breakdown)	1	
-57	31403-1	E90	. Tuner, RF: h-f osc; 29.7 to 54 mc (See Figure 31 for assy breakdown)	1	
-58	31003-1	-	. Spring: flat type; retainer for r-f tuner (Att. Pt.)	48	
RADIO RECEIVER SP-600-JX-17, RACK MOUNTINGS GEAR TRAIN ASSEMBLY					
9	31291-3	-	Gear Train Assembly (See Figure 8-33 for next higher assy)	Ref	
-1	31201-1	-	. Cam (incl two No. 8-32 set screws)	1	
-2	31126-1	-	. Spring: helical	1	
-3	31125-1	-	. Spring: helical	1	
-4	31198-1	-	. Lever Assembly (incl two No. 8-32 set screws)	1	
-5	31205-1	-	. Spring: helical	2	
-6	31177-1	-	. Roller, lever: assembly	1	
-7	31059-1	-	. Post, mounting	3	
-8	Coml	-	. Screw, mach: slot drive; binding hd; steel, cad. pl; No. 10-32, 1/2 in. lg; incl ext tooth steel cad. pl washer 0.408 in. dia x 0.024 in. thick (IFCO) (Att. Pt.)	3	
-9	31050-1	-	. Plate, bearing	1	
-10	31047-1	-	. Plate, bearing	1	
-11	Coml	-	. Screw, mach: slot drive; binding hd; steel, cad. pl; No. 10-32, 1/2 in. lg; incl ext tooth steel cad. pl washer 0.408 in. dia x 0.024 in. thick (IFCO) (Att. Pt.)	3.	
-12	Coml	-	. Screw, mach: slot drive; binding hd; steel, cad. pl; No. 8-32, 5/16 in. lg; incl ext tooth steel cad. pl washer 0.317 in. dia x 0.021 in. thick (IFCO) (Att. Pt.)	2	
-13	31189-1	-	. Disk, retainer	4	
-14	Coml	-	. Screw, mach: slot drive; binding hd; steel, cad. pl; No. 4-40, 1/4 in. lg; incl ext tooth steel cad. pl washer 0.254 in. dia x 0.019 in. thick (IFCO) (Att. Pt.)	4	
-15	31202-1	-	. Bracket: metal slide and one roller	1	
-16	31288-1	-	. Gear Assembly: shaft, gear, and hub assy	1	

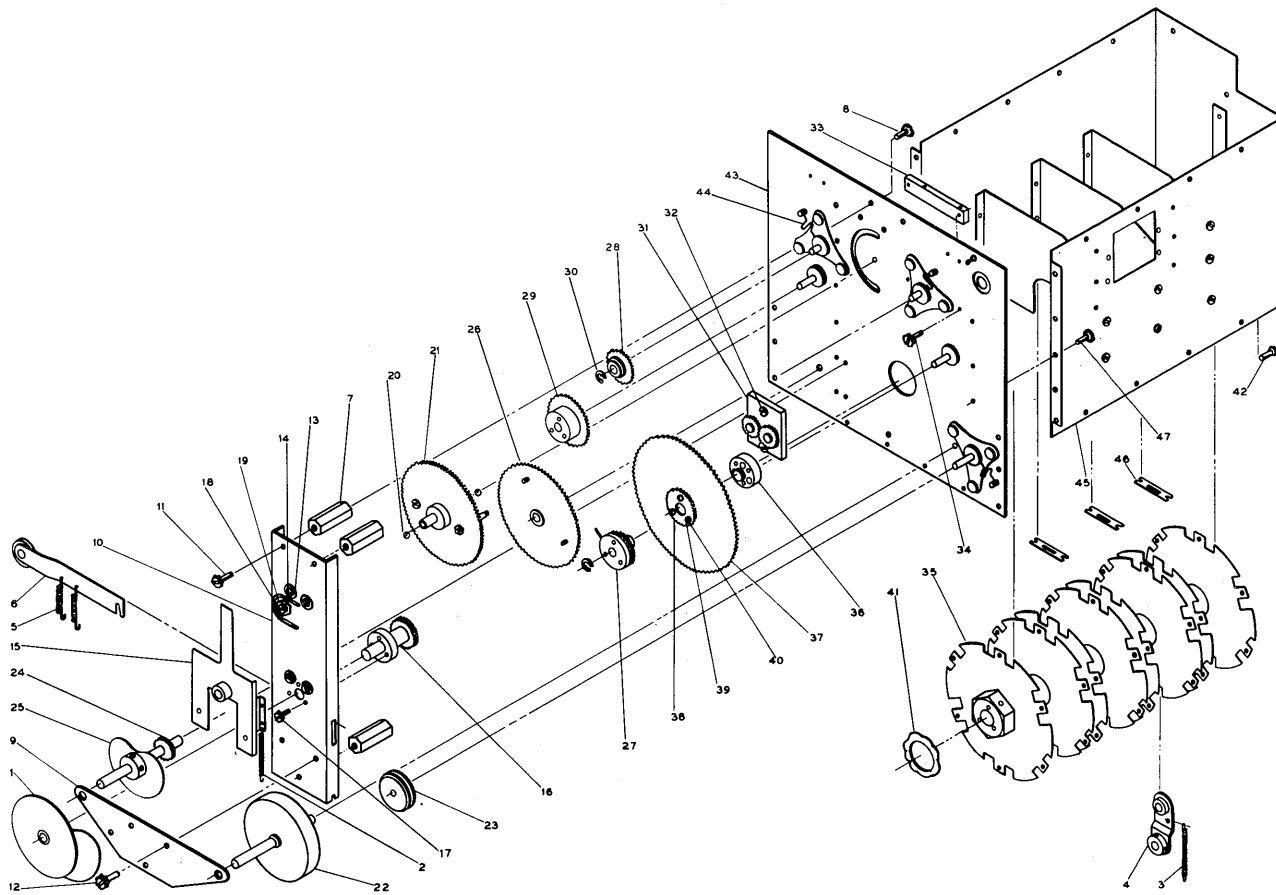


Figure 9. Gear Train Assembly

FIG & INDEX NO.	PART NUMBER	REF SYMBOL	NAME AND DESCRIPTION							UNITS PER ASSY	APPLI-CATION
			1	2	3	4	5	6	7		
			RADIO RECEIVER SP-600-JX-17, RACK MOUNTINGS GEAR TRAIN ASSEMBLY (cont)								
9-17	Coml	-									
-18	10003-6	-								3	
-19	10012-67	-								1	
-20	10027-13	-								1	
-21	31150-1	-								2	
-22	31169-1	-								1	
-23	31164-1	-								1	
-24	31052-1	-								1	
-25	31173-1	-								1	
-26	31098-1	-								1	
-27	31095-1	-								1	
-28	31096-1	-								1	
-29	31097-1	-								1	
-30	WA510	-								1	
-31	31287-1	-								4	
-32	Coml	-								1	
-33	31085-1	-								2	
-34	Coml	-								1	
										2	

FIG & INDEX NO.	PART NUMBER	REF SYMBOL	NAME AND DESCRIPTION							UNITS PER ASSY	APPLI- CATION
			1	2	3	4	5	6	7		
RADIO RECEIVER SP-600-JX-17, RACK MOUNTINGS GEAR TRAIN ASSEMBLY (cont)											
9-35	31137-1	-	. Mounting Disc and Shaft Assembly (See Figure 11 for assy breakdown)							1	
-36	31063-1	-	. Hub: front bearing							1	
-37	31036-1	-	. Gear: spur type							1	
-38	31037-1	-	. Gear: spur type							1	
-39	Coml	-	. Washer, lock: split-ring type; phosphor bronze, cad. pl; 0.178 in. dia, 3/64 in. wide x 3/64 in. thick (PHE) (Att. Pt.)							6	
-40	Coml	-	. Screw, mach; No. 8-32, 5/8 in. lg (PHE) (Att. Pt.)							6	
-41	31277-1	-	. Washer, curved							1	
-42	11890-1	-	. Screw, mach (ALN)							1	
-43	31166-1	-	. Plate, base: assembly							1	
-44	31239-1	-	. Spring: loop type							3	
-45	31285-2	-	. Tuning Unit Shield Assembly (See Figure 10 for assy breakdown)							1	
-46	31279-1	-	. Spring: flat type							3	
-47	Coml	-	. Screw, mach: slot drive; binding hd; steel, cad. pl; No. 6-32, 1/4 in. lg; incl ext tooth steel cad. pl washer 0.270 in. dia x 0.021 in. thick (IFCO) (Att. Pt.)							10	

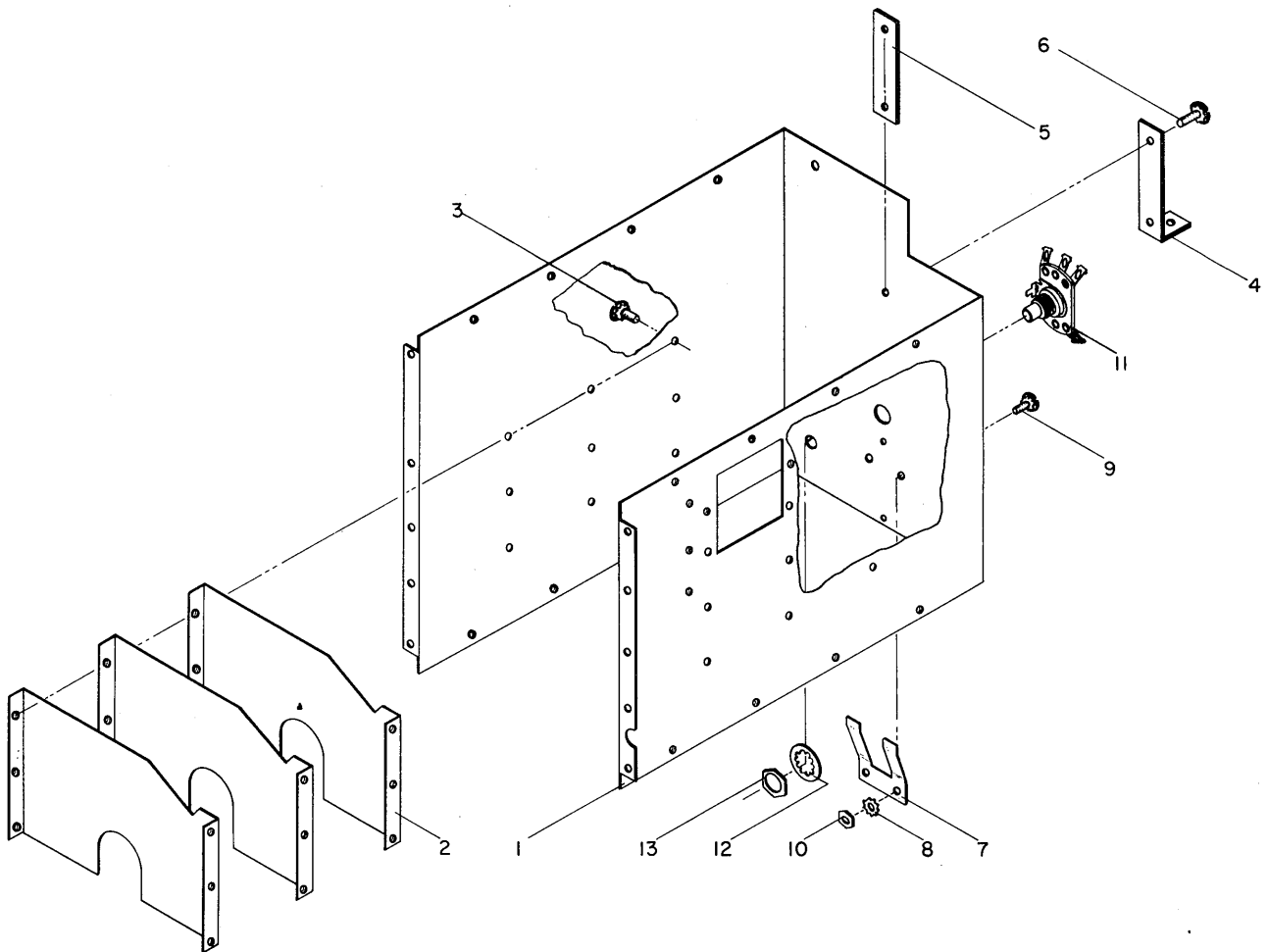


Figure 10. Tuning Unit Shield Assembly

FIG & INDEX NO.	PART NUMBER	REF SYMBOL	NAME AND DESCRIPTION							UNITS PER ASSY	APPLI- CATION
			1	2	3	4	5	6	7		
			RADIO RECEIVER SP-600-JX-17, RACK MOUNTINGS TUNING UNIT SHIELD ASSEMBLY								
10	31285-2	-	Tuning Unit Shield Assembly (See Figure 9-45 for next higher assy)							Ref	
-1	31080-1	-	. Shield, turret							1	
-2	31117-1	-	. Plate, reinforcing							3	
-3	Coml	-	. Screw, mach: slot drive; binding hd; steel, cad. pl; No. 6-32, 1/4 in. lg; incl ext tooth cad. pl washer 0.270 in. dia x 0.021 in. thick (IFCO) (Att. Pt.)							16	
-4	31144-1	-	. Bracket							1	
-5	31142-1	-	. Plate, anchor							1	
-6	Coml	-	. Screw, mach: slot drive; binding hd; steel, cad. pl; No. 10-32, 3/8 in. lg; incl ext tooth steel cad. pl washer 0.408 in. dia x 0.024 in. thick (IFCO) (Att. Pt.)							2	
-7	31278-1	-	. Spring: flat type							1	
-8	AN936B6	-	. Washer, lock (Att. Pt.)							2	
-9	Coml	-	. Screw, mach: slot drive; binding hd; steel, cad. pl; No. 6-32, 1/4 in. lg; incl ext tooth cad. pl washer 0.270 in. dia x 0.021 in. thick (IFCO) (Att. Pt.)							2	
-10	10012-41	-	. Nut, hex (Att. Pt.)							2	
-11	15862-2	S4	. Switch, rotary (OAK, type "23")							1	
-12	AN936A616	-	. Washer, lock (Att. Pt.)							1	
-13	10012-90	-	. Nut, hex (Att. Pt.)							1	

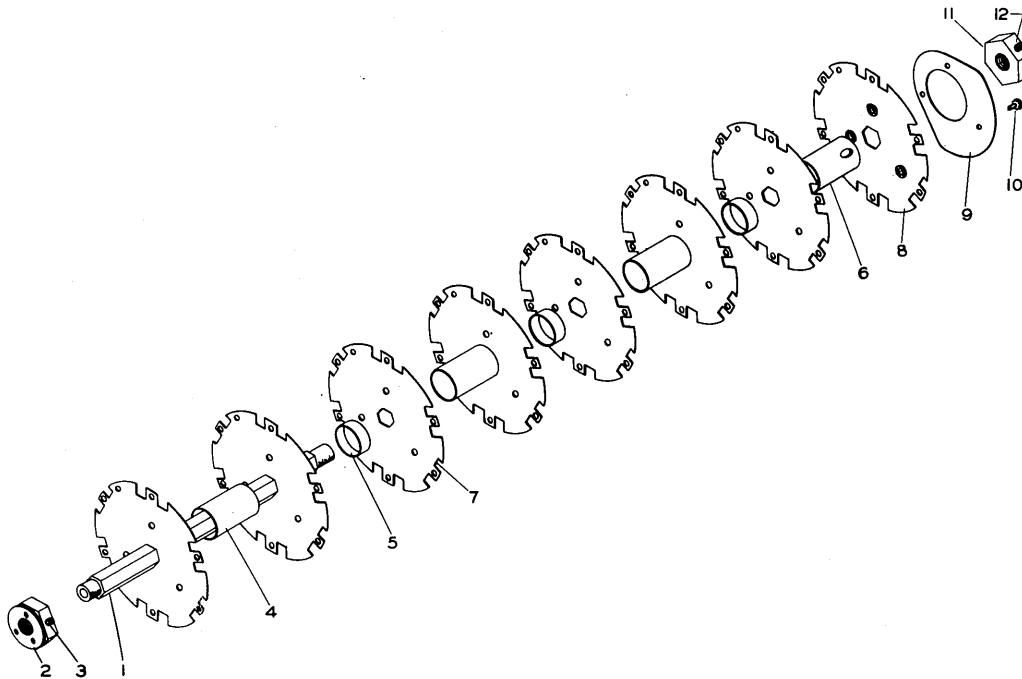


Figure 11. Mounting Disk and Shaft Assembly

FIG & INDEX NO.	PART NUMBER	REF SYMBOL	NAME AND DESCRIPTION							UNITS PER ASSY	APPLI- CATION
			1	2	3	4	5	6	7		
			RADIO RECEIVER SP-600-JX-17, RACK MOUNTINGS MOUNTING DISK AND SHAFT ASSEMBLY								
11	31137-1	-	Mounting Disk and Shaft Assembly (See Figure 9-35 for next higher assy)							Ref	
-1	31077-1	-	. Shaft							1	
-2	31078-1	-	. Nut, hex (Att. Pt.)							1	
-3	Coml	-	. Screw, set: No. 8-32, 3/8 in. lg cup point (PHE)							1	
-4	31065-1	-	. Tubing: rigid							3	
-5	31065-2	-	. Tubing: rigid							3	
-6	31066-1	-	. Tubing: rigid							1	
-7	31002-1	-	. Disk, mounting							7	
-8	31204-1	-	. Disk, mounting (incl three spacers)							1	
-9	31192-1	-	. Cam							1	
-10	Coml	-	. Screw, mach: slot drive; binding hd; steel, cad. pl; No. 4-40, 1/4 in. lg; incl ext tooth steel cad. pl washer 0.254 in. dia x 0.019 in. thick (IFCO) (Att. Pt.)							3	
-11	31078-2	-	. Nut, hex (Att. Pt.)							1	
-12	Coml	-	. Screw, set: No. 8-32, 3/8 in. lg cup point (PHE)							1	
			RADIO RECEIVER SP-600-JX-17, RACK MOUNTINGS R-F WIRING ASSEMBLY								
12	31231-2	-	R-F Wiring Assembly (See Figure 8-23 for next higher assy)							Ref	
-1	31234-1	-	. Base and Spring Assembly							4	
-2	31203-1	-	. Plate, switch: incl steatite base and eyelets							4	
-3	31089-1	-	. Contact, switch (BWA)							24	
-4	RC20BF220K	R11	. Resistor, fixed (JAN-R-11)							1	
-5	RC20BF220K	R21	. Resistor, fixed (JAN-R-11)							1	
-6	CC21UJ050C	C79	. Capacitor, fixed (JAN-C-20A)							1	
-7	CC21UJ050C	C80	. Capacitor, fixed (JAN-C-20A)							1	
-8	Coml	-	. Tubing: on fixed wires; plastic vinylite, black; hyflex, wire size No. 2 (IVI)							AR	
-9	Coml	C19	. Capacitor, fixed: 10,000 mmf (AEV type P488 or P487)							1	
-10	Coml	C20	. Capacitor, fixed: 10,000 mmf (AEV type P488 or P487)							1	
-11	Coml	C21	. Capacitor, fixed: 10,000 mmf (AEV type P488 or P487)							1	
-12	Coml	C22	. Capacitor, fixed: 10,000 mmf (AEV type P488 or P487)							1	
-13	Coml	C23	. Capacitor, fixed: 10,000 mmf (AEV type P488 or P487)							1	
-14	Coml	C24	. Capacitor, fixed: 10,000 mmf (AEV type P488 or P487)							1	
-15	Coml	C40	. Capacitor, fixed: 10,000 mmf (AEV type P488 or P487)							1	
-16	Coml	C41	. Capacitor, fixed: 10,000 mmf (AEV type P488 or P487)							1	
-17	Coml	C42	. Capacitor, fixed: 10,000 mmf (AEV type P488 or P487)							1	
-18	Coml	C43	. Capacitor, fixed: 10,000 mmf (AEV type P488 or P487)							1	
-19	Coml	C44	. Capacitor, fixed: 10,000 mmf (AEV type P488 or P487)							1	
-20	Coml	C66	. Capacitor, fixed: 10,000 mmf (AEV type P488 or P487)							1	
-21	Coml	C68	. Capacitor, fixed: 10,000 mmf (AEV type P488 or P487)							1	
-22	Coml	C71	. Capacitor, fixed: 10,000 mmf (AEV type P488 or P487)							1	
-23	Coml	C72	. Capacitor, fixed: 10,000 mmf (AEV type P488 or P487)							1	
-24	Coml	C73	. Capacitor, fixed: 10,000 mmf (AEV type P488 or P487)							1	
-25	Coml	C74	. Capacitor, fixed: 10,000 mmf (AEV type P488 or P487)							1	
-26	Coml	C153	. Capacitor, fixed: 10,000 mmf (AEV type P488 or P487)							1	
-27	Coml	C154	. Capacitor, fixed: 10,000 mmf (AEV type P488 or P487)							1	
-28	Coml	C155	. Capacitor, fixed: 10,000 mmf (AEV type P488 or P487)							1	
-29	Coml	C175	. Capacitor, fixed: 10,000 mmf (AEV type P488 or P487)							1	
-30	23003-94C	C18	. Capacitor, fixed							1	
-31	23003-94C	C25	. Capacitor, fixed							1	
-32	23003-94C	C75	. Capacitor, fixed							1	
-33	RC20BF102K	R4	. Resistor, fixed (JAN-R-11)							1	
-34	RC20BF102K	R6	. Resistor, fixed (JAN-R-11)							1	
-35	RC20BF102K	R16	. Resistor, fixed (JAN-R-11)							1	
-36	RC20BF102K	R29	. Resistor, fixed (JAN-R-11)							1	
-37	RC20BF102K	R30	. Resistor, fixed (JAN-R-11)							1	
-38	RC20BF102K	R121	. Resistor, fixed (JAN-R-11)							1	
-39	RC20BF103J	R2	. Resistor, fixed (JAN-R-11)							1	
-40	RC20BF103J	R12	. Resistor, fixed (JAN-R-11)							1	
-41	RC20BF473K	R22	. Resistor, fixed (JAN-R-11)							1	
-42	RC20BF511J	R5	. Resistor, fixed (JAN-R-11)							1	
-43	RC20BF511J	R15	. Resistor, fixed (JAN-R-11)							1	
-44	RC20BF151J	R27	. Resistor, fixed (JAN-R-11)							1	
-45	RC20BF682K	R28	. Resistor, fixed (JAN-R-11)							1	
-46	RC20BF333J	R3	. Resistor, fixed (JAN-R-11)							1	
-47	RC20BF333J	R14	. Resistor, fixed (JAN-R-11)							1	
-48	19317-76	R1	. Resistor, fixed: 510K ohms $\pm 5\%$, 1/3 w (IRC type BTR)							1	
-49	19317-76	R13	. Resistor, fixed: 510K ohms $\pm 5\%$, 1/3 w (IRC type BTR)							1	

FIG & INDEX NO.	PART NUMBER	REF SYMBOL	NAME AND DESCRIPTION							UNITS PER ASSY	APPLI- CATION
			1	2	3	4	5	6	7		
			RADIO RECEIVER SP-600-JX-17, RACK MOUNTINGS R-F WIRING ASSEMBLY (cont)								
12-50	19317-76	R26	. Resistor, fixed: 510K ohms $\pm 5\%$, 1/3 w (IRC type BTR)							1	
-51	15611-1	L48	. Coil, RF: filament choke							1	
-52	15612-1	L7	. Coil, RF: plate choke							1	
-53	15612-1	L14	. Coil, RF: plate choke							1	
-54	15612-1	L24	. Coil, RF: plate choke							1	
-55	15613-1	L49	. Coil, RF: filament choke							1	
-56	Coml	-	. Tubing: covers bare wire; extruded plastic vinylite, black; hyflex, wire size No. 17 (IVI)							AR	
-57	SO-239	J1	. Connector, female contacts							1	
-58	TS102C01	X5	. Socket, tube (JAN-S-28A)							1	
-59	TS102P01	X1	. Socket, tube (JAN-S-28A)							1	
-60	TS102P01	X2	. Socket, tube (JAN-S-28A)							1	
-61	15989-5	X4	. Socket, tube (incl metal shock shield, no center shield) (otherwise JAN-S-28A)							1	
-62	Coml	-	. Screw, mach: slot drive; rd hd; steel, cad. pl; No. 4-40, 1/4 in. lg; incl split, steel cad. pl washer 0.200 in. dia x 1/32 in. thick (IFCO) (Att. Pt. for Items 57, 58, 59, 60 and 61)							12	
-63	16619-5	E1	. Insulator, bushing: isolantite (ISO No. 915-LGB modified, omit lug and eyelet)							1	
-64	31225-1	-	. Board, terminal							3	
-65	31226-1	-	. Board, terminal							1	
-66	31136-1	-	. Plate, mounting							1	
-67	Coml	-	. Tubing: on L24; extruded plastic vinylite, transparent; wire size 7/16 in. diameter							AR	

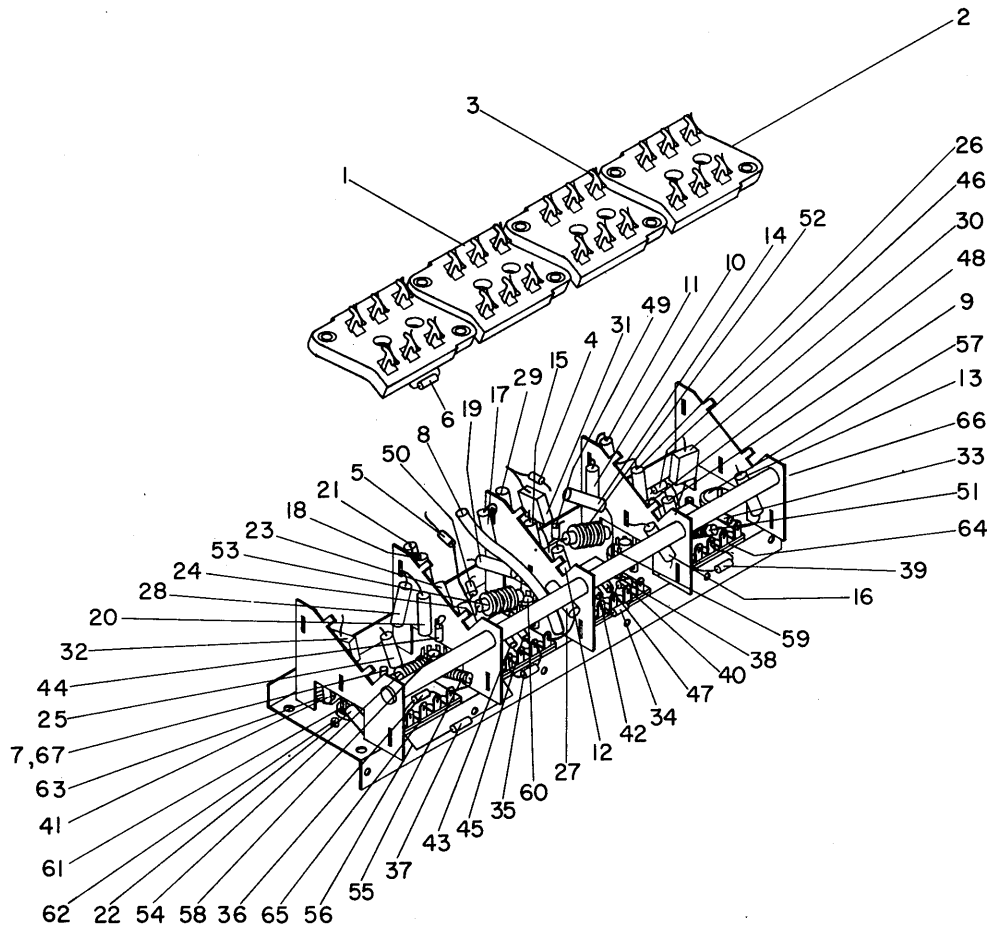


Figure 12. R-F Wiring Assembly

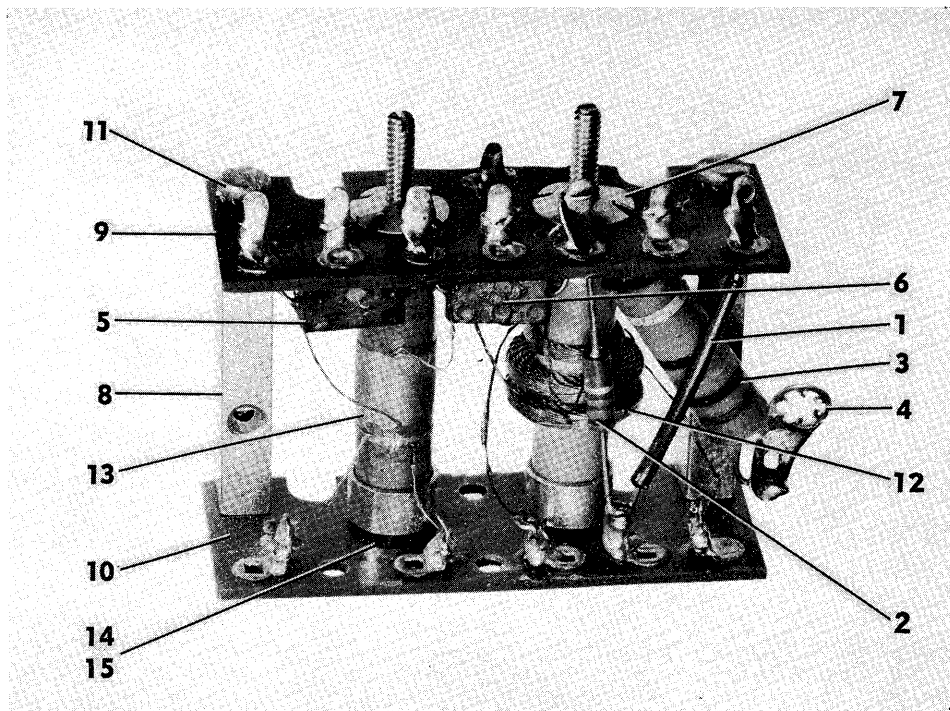


Figure 13. Mixer Plate Coil Assembly

FIG & INDEX NO.	PART NUMBER	REF SYMBOL	NAME AND DESCRIPTION							UNITS PER ASSY	APPLI- CATION
			1	2	3	4	5	6	7		
			RADIO RECEIVER SP-600-JX-17, RACK MOUNTINGS MIXER PLATE COIL ASSEMBLY								
13	31183-1	T1	Mixer Plate Coil Assembly (See Figure 8-21 for next higher assy)							Ref	
-1	Coml	-	. Tubing: covers bare wire; extruded plastic vinylite, black; hyflex, wire size No. 17 (IVI)							AR	
-2	RC20BF222K	R31	. Resistor, fixed (JAN-R-11)							1	
-3	Coml	C70	. Capacitor, fixed: 10,000 mmf (AEV type P488 or P487)							1	
-4	2104-6	-	. Terminal, lug: cad. pl (SH)							1	
-5	23071-59	C67	. Capacitor, fixed							1	
-6	23003-102C	C69	. Capacitor, fixed							1	
-7	11-593-A	-	. Spring: flat type; cad. pl (SKL) (Att. Pt.)							2	
-8	31179-1	-	. Post, supporting							2	
-9	31181-1	-	. Board, terminal							1	
-10	31182-1	-	. Board, terminal							1	
-11	Coml	-	. Screw, mach: slot drive; binding hd; steel, cad. pl; No. 6-32, 5/16 in. lg; incl ext tooth, steel cad. pl washer 0.270 in. dia x 0.021 in. thick (IFCO) (Att. Pt.)							4	
-12	31069-1	L32	. Transformer, IF: 455 kc; mixer output							1	
-13	31103-1	L31	. Transformer, IF: 3,955 kc; mixer output							1	
-14	AN936B6	-	. Washer, lock (Att. Pt.)							2	
-15	Coml	-	. Screw, mach: slot drive; binding hd; steel, cad. pl; No. 6-32, 1/4 in. lg; incl ext tooth steel cad. pl washer 0.270 in. dia x 0.021 in. thick (IFCO) (Att. Pt.)							2	
			RADIO RECEIVER SP-600-JX-17, RACK MOUNTINGS TUNER, RF: 0.54 TO 1.35 MC (INPUT)								
14	31387-1	E61	Tuner, RF (See Figure 8-34 for next higher assy)							Ref	
-1	Coml	C3	. Capacitor, fixed: 10,000 mmf (AEV type P488 or P487)							1	
-2	31245-1	L1	. Coil, RF: antenna							1	
-3	31004-1	-	. Spring: flat type							2	
-4	31427-1	-	. Trimmer and Base Assembly							1	

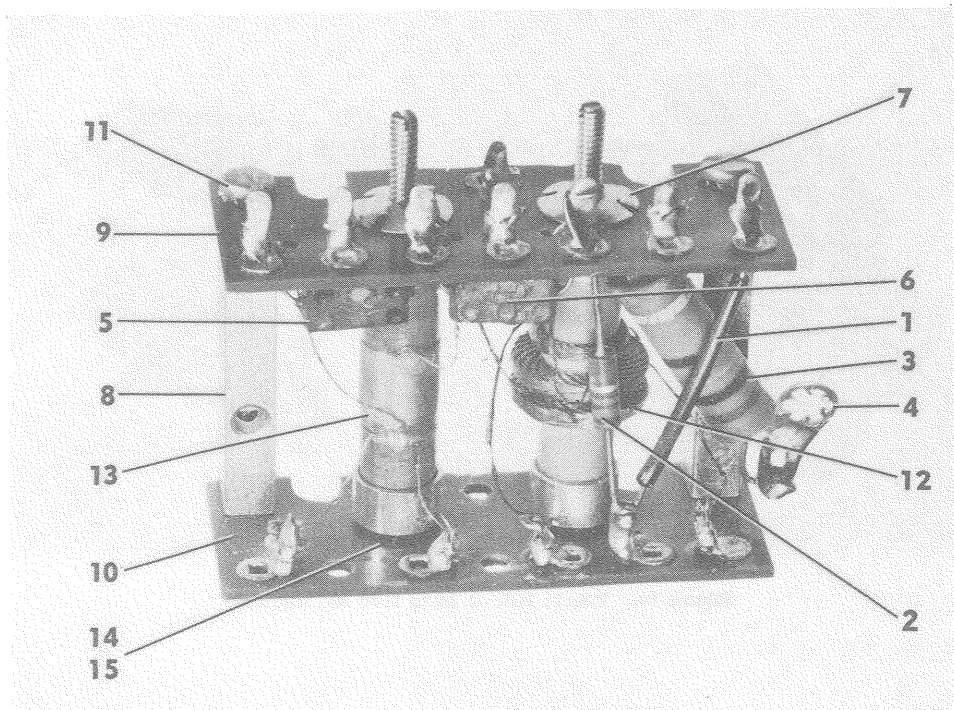


Figure 13. Mixer Plate Coil Assembly

FIG & INDEX NO.	PART NUMBER	REF SYMBOL	NAME AND DESCRIPTION	UNITS PER ASSY	APPLI- CATION
			RADIO RECEIVER SP-600-JX-17, RACK MOUNTINGS MIXER PLATE COIL ASSEMBLY		
13	31183-1	T1	Mixer Plate Coil Assembly (See Figure 8-21 for next higher assy)	Ref	
-1	Coml	-	. Tubing: covers bare wire; extruded plastic vinylite, black; hyflex, wire size No. 17 (IVI)	AR	
-2	RC20BF222K	R31	. Resistor, fixed (JAN-R-11)	1	
-3	Coml	C70	. Capacitor, fixed: 10,000 mmf (AEV type P488 or P487)	1	
-4	2104-6	-	. Terminal, lug: cad. pl (SH)	1	
-5	23071-59	C67	. Capacitor, fixed	1	
-6	23003-102C	C69	. Capacitor, fixed	1	
-7	11-593-A	-	. Spring: flat type; cad. pl (SKL) (Att. Pt.)	2	
-8	31179-1	-	. Post, supporting	2	
-9	31181-1	-	. Board, terminal	1	
-10	31182-1	-	. Board, terminal	1	
-11	Coml	-	. Screw, mach: slot drive; binding hd; steel, cad. pl; No. 6-32, 5/16 in. lg; incl ext tooth, steel cad. pl washer 0.270 in. dia x 0.021 in. thick (IFCO) (Att. Pt.)	4	
-12	31069-1	L32	. Transformer, IF: 455 kc; mixer output	1	
-13	31103-1	L31	. Transformer, IF: 3,955 kc; mixer output	1	
-14	AN936B6	-	. Washer, lock (Att. Pt.)	2	
-15	Coml	-	. Screw, mach: slot drive; binding hd; steel, cad. pl; No. 6-32, 1/4 in. lg; incl ext tooth steel cad. pl washer 0.270 in. dia x 0.021 in. thick (IFCO) (Att. Pt.)	2	
			RADIO RECEIVER SP-600-JX-17, RACK MOUNTINGS TUNER, RF: 0.54 TO 1.35 MC (INPUT)		
14	31387-1	E61	Tuner, RF (See Figure 8-34 for next higher assy)	Ref	
-1	Coml	C3	. Capacitor, fixed: 10,000 mmf (AEV type P488 or P487)	1	
-2	31245-1	L1	. Coil, RF: antenna	1	
-3	31004-1	-	. Spring: flat type	2	
-4	31427-1	-	. Trimmer and Base Assembly	1	

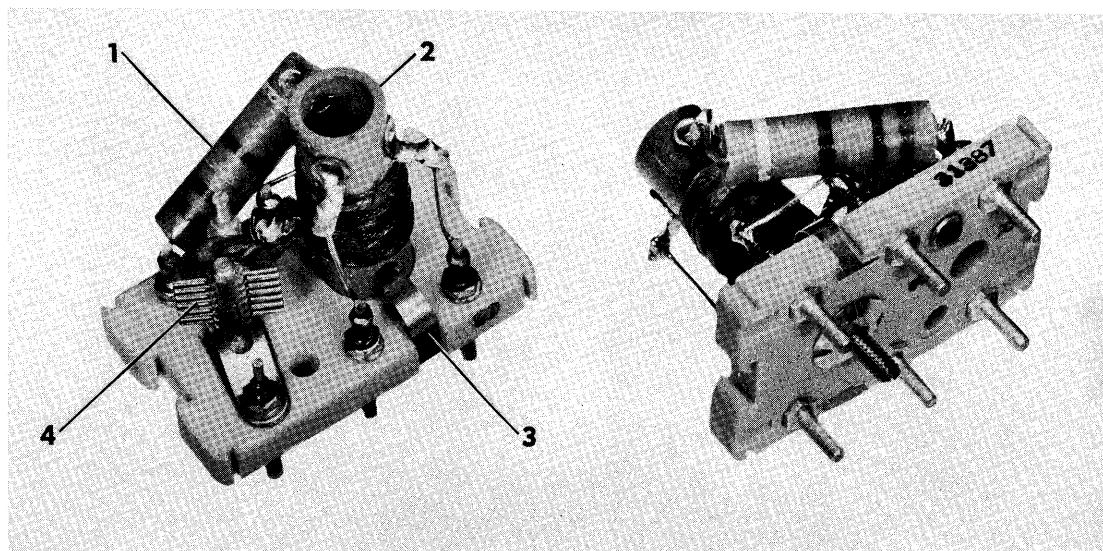


Figure 14. Tuner, RF: 0.54 to 1.35 MC (Input)

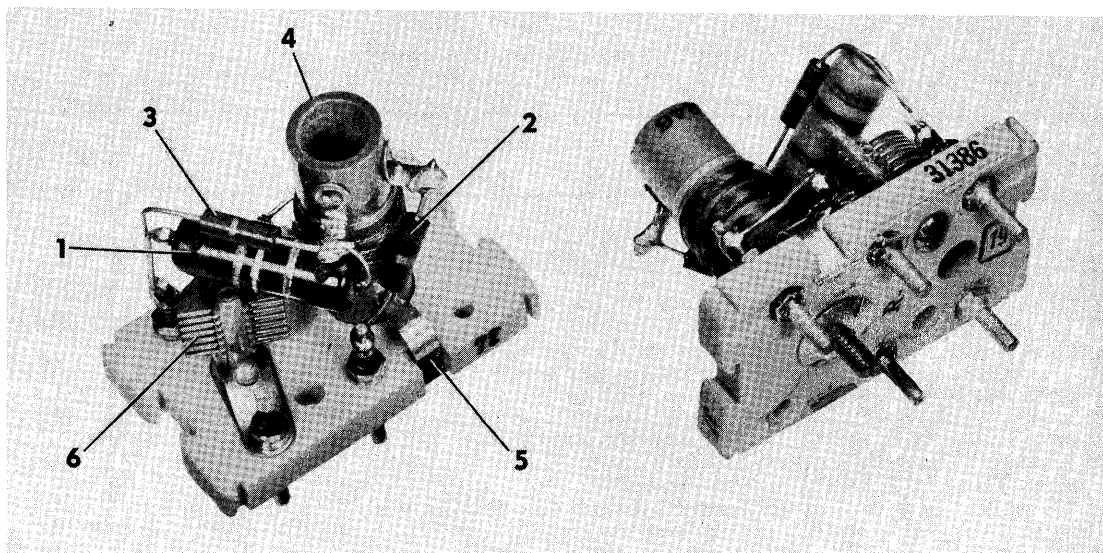


Figure 15. Tuner, RF: 0.54 to 1.35 MC (Interstage)

FIG & INDEX NO.	PART NUMBER	REF SYMBOL	NAME AND DESCRIPTION							UNITS PER ASSY	APPLI- CATION
			1	2	3	4	5	6	7		
			RADIO RECEIVER SP-600-JX-17, RACK MOUNTINGS								
			TUNER, RF: 0.54 TO 1.35 MC (INTERSTAGE)								
15	31386-1	E68	Tuner, RF (See Figure 8-35 for next higher assy)							Ref	a
15	31386-1	E75	Tuner, RF (See Figure 8-36 for next higher assy)							Ref	b
-1	Com1	C27	. Capacitor, fixed: 10,000 mmf (AEV type P488 or P487)							1	a
-1	Com1	C47	. Capacitor, fixed: 10,000 mmf (AEV type P488 or P487)							1	b
-2	RC20BF510J	R7	. Resistor, fixed (JAN-R-11)							1	a
-2	RC20BF510J	R17	. Resistor, fixed (JAN-R-11)							1	b
-3	RC20BF273K	R103	. Resistor, fixed (JAN-R-11)							1	a
-3	RC20BF273K	R104	. Resistor, fixed (JAN-R-11)							1	b
-4	31246-1	L8	. Coil, RF: interstage							1	a
-4	31246-1	L15	. Coil, RF: interstage							1	b
-5	31004-1	-	. Spring: flat type							2	
-6	31428-1	-	. Trimmer and Base Assembly							1	

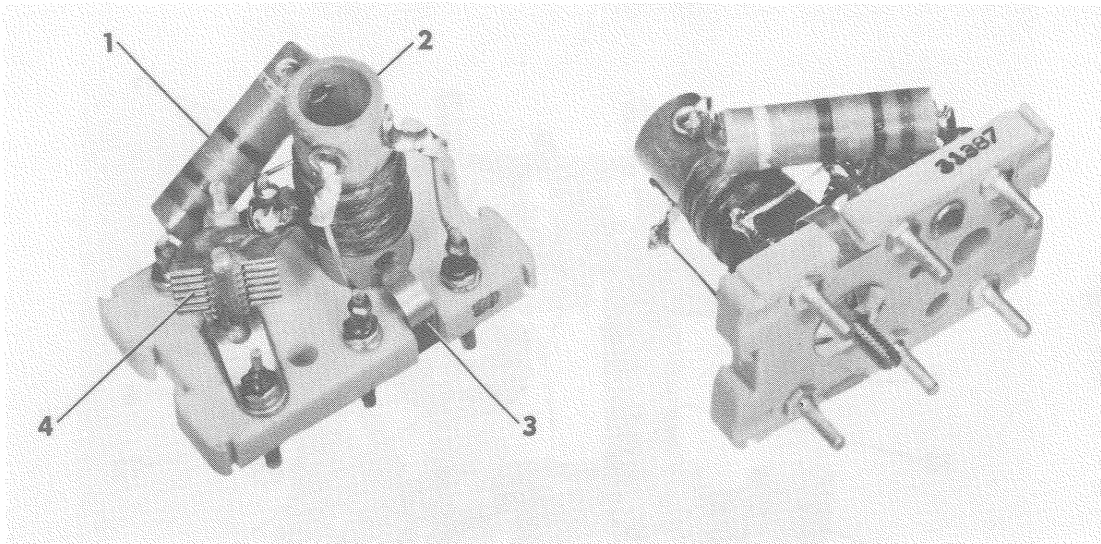


Figure 14. Tuner, RF: 0.54 to 1.35 MC (Input)

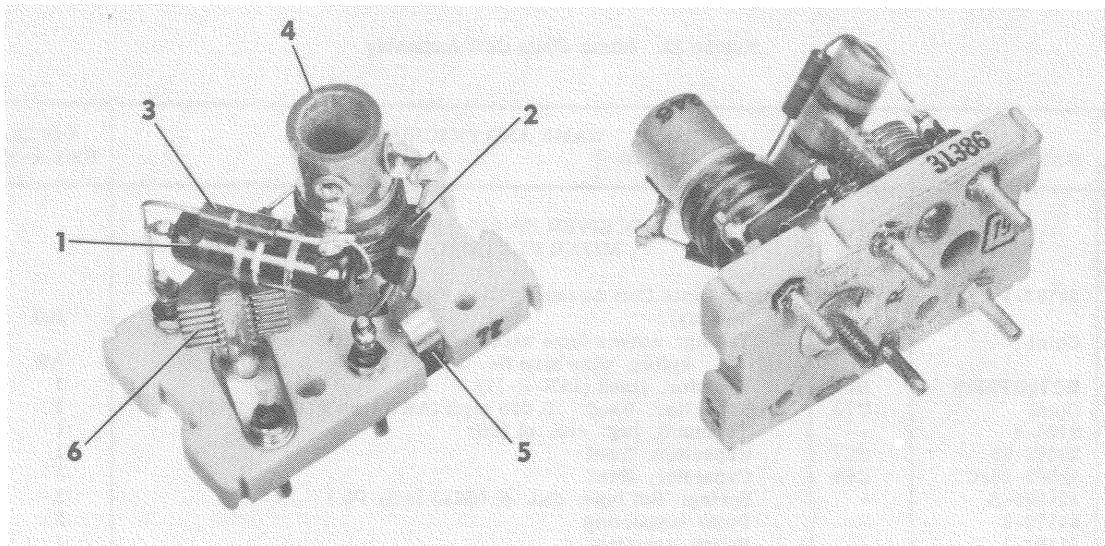


Figure 15. Tuner, RF: 0.54 to 1.35 MC (Interstage)

FIG & INDEX NO.	PART NUMBER	REF SYMBOL	NAME AND DESCRIPTION							UNITS PER ASSY	APPLI- CATION
			1	2	3	4	5	6	7		
			RADIO RECEIVER SP-600-JX-17, RACK MOUNTINGS TUNER, RF: 0.54 TO 1.35 MC (INTERSTAGE)								
15	31386-1	E68								Ref	a
15	31386-1	E75								Ref	b
-1	Com1	C27								1	a
-1	Com1	C47								1	b
-2	RC20BF510J	R7								1	a
-2	RC20BF510J	R17								1	b
-3	RC20BF273K	R103								1	a
-3	RC20BF273K	R104								1	b
-4	31246-1	L8								1	a
-4	31246-1	L15								1	b
-5	31004-1	-								2	
-6	31428-1	-								1	

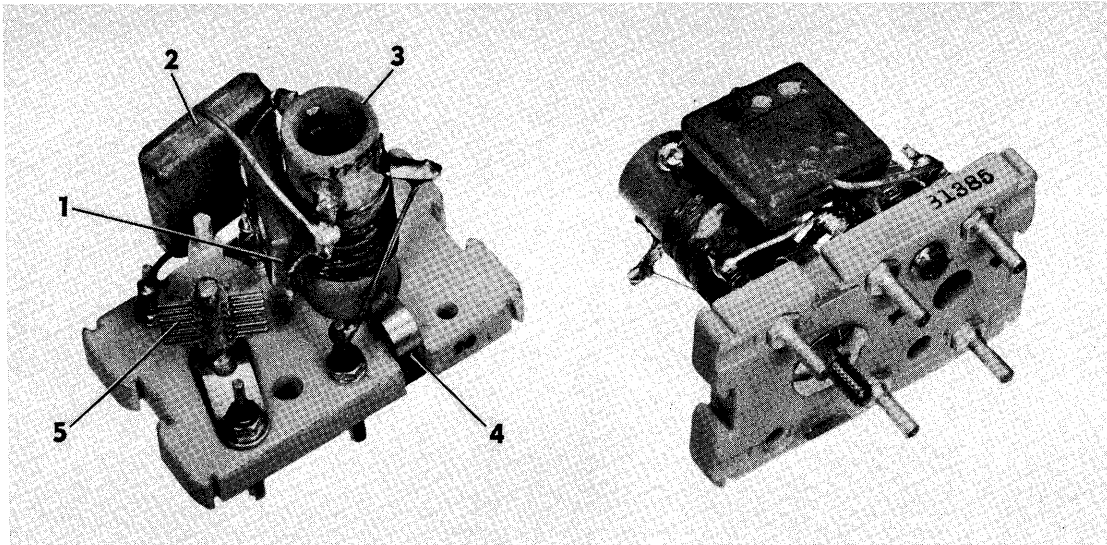


Figure 16. Tuner, RF: 0.54 to 1.35 MC (H-F Osc)

FIG & INDEX NO.	PART NUMBER	REF SYMBOL	NAME AND DESCRIPTION							UNITS PER ASSY	APPLI- CATION
			1	2	3	4	5	6	7		
			RADIO RECEIVER SP-600-JX-17, RACK MOUNTINGS TUNER, RF: 0.54 TO 1.35 MC (H-F OSC)								
16	31385-1	E85	Tuner, RF (See Figure 8-37 for next higher assy)							Ref	
-1	23071-67	C78	. Capacitor, fixed: 404 mmf (AEV type No. 1469)							1	
-2	CM30C332G	C77	. Capacitor, fixed (JAN-C-5)							1	
-3	31244-1	L25	. Coil, RF: h-f osc							1	
-4	31004-1	-	. Spring: flat type							2	
-5	31428-1	-	. Trimmer and Base Assembly							1	
			RADIO RECEIVER SP-600-JX-17, RACK MOUNTINGS TUNER, RF: 1.35 TO 3.45 MC (INPUT)								
17	31390-1	E62	Tuner, RF (See Figure 8-38 for next higher assy)							Ref	
-1	Com1	C5	. Capacitor, fixed: 10,000 mmf (AEV type P488 or P487)							1	
-2	31249-1	L2	. Coil, RF: antenna							1	
-3	31004-1	-	. Spring: flat type							2	
-4	31427-1	-	. Trimmer and Base Assembly							1	

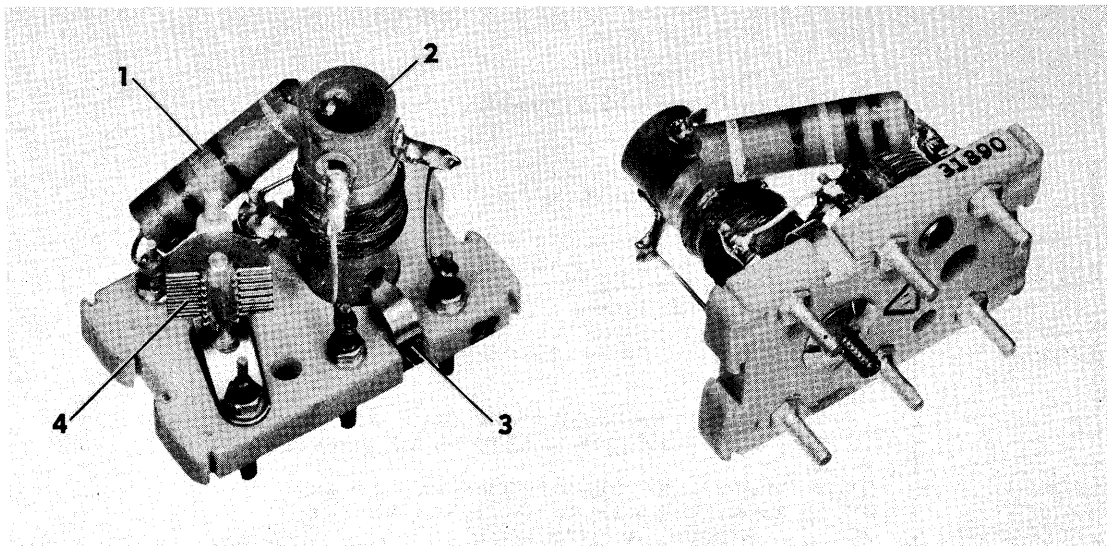


Figure 17. Tuner, RF: 1.35 to 3.45 MC (Input)

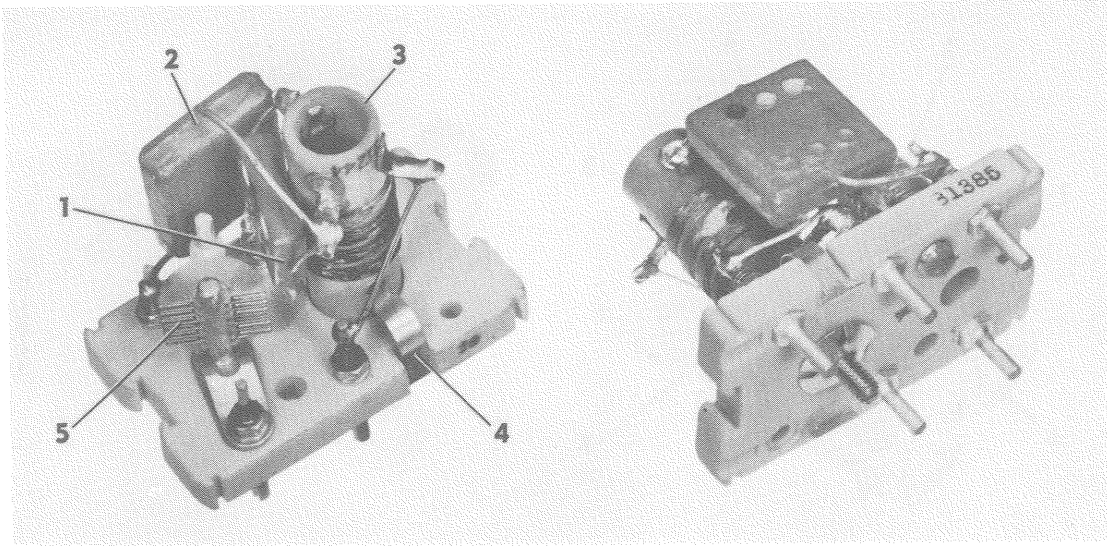


Figure 16. Tuner, RF: 0.54 to 1.35 MC (H-F Osc)

FIG & INDEX NO.	PART NUMBER	REF SYMBOL	NAME AND DESCRIPTION							UNITS PER ASSY	APPLI-CATION
			1	2	3	4	5	6	7		
			RADIO RECEIVER SP-600-JX-17, RACK MOUNTINGS TUNER, RF: 0.54 TO 1.35 MC (H-F OSC)								
16	31385-1	E85	Tuner, RF (See Figure 8-37 for next higher assy)							Ref	
-1	23071-67	C78	. Capacitor, fixed: 404 mmf (AEV type No. 1469)							1	
-2	CM30C332G	C77	. Capacitor, fixed (JAN-C-5)							1	
-3	31244-1	L25	. Coil, RF: h-f osc							1	
-4	31004-1	-	. Spring: flat type							2	
-5	31428-1	-	. Trimmer and Base Assembly							1	
			RADIO RECEIVER SP-600-JX-17, RACK MOUNTINGS TUNER, RF: 1.35 TO 3.45 MC (INPUT)								
17	31390-1	E62	Tuner, RF (See Figure 8-38 for next higher assy)							Ref	
-1	Com1	C5	. Capacitor, fixed: 10,000 mmf (AEV type P488 or P487)							1	
-2	31249-1	L2	. Coil, RF: antenna							1	
-3	31004-1	-	. Spring: flat type							2	
-4	31427-1	-	. Trimmer and Base Assembly							1	

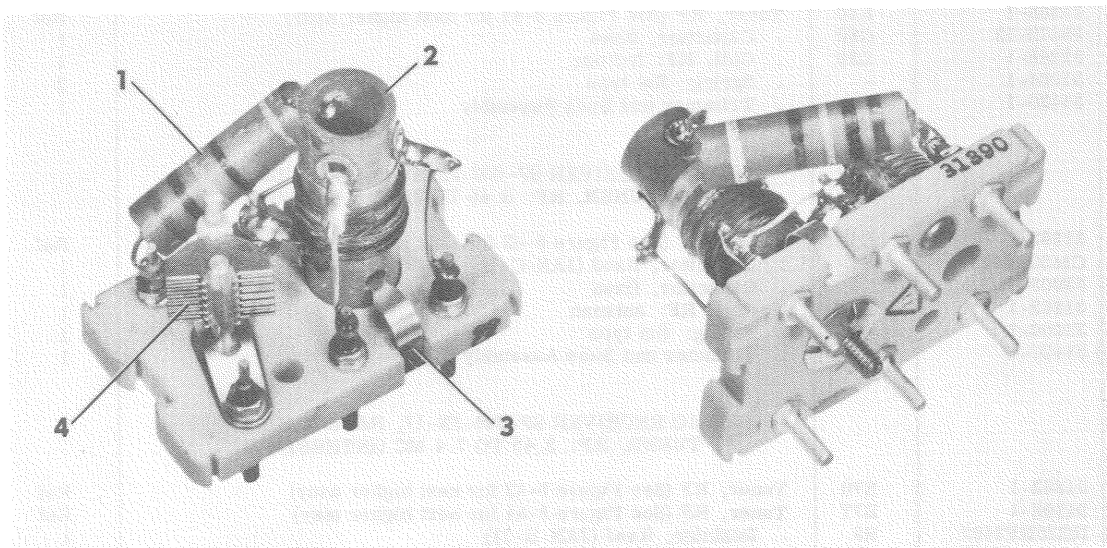


Figure 17. Tuner, RF: 1.35 to 3.45 MC (Input)

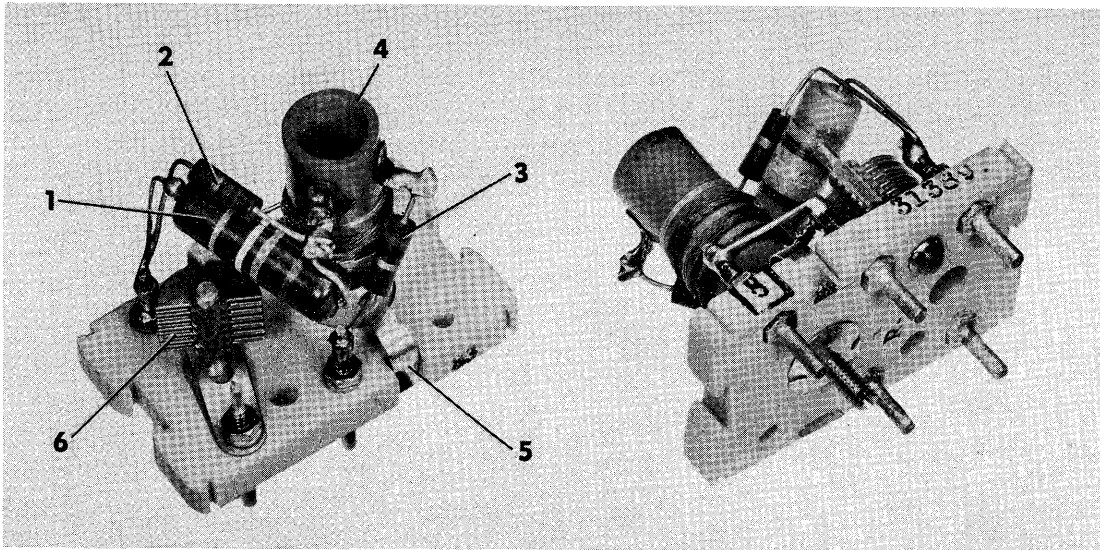


Figure 18. Tuner, RF: 1.35 to 3.45 MC (Interstage)

FIG & INDEX NO.	PART NUMBER	REF SYMBOL	NAME AND DESCRIPTION							UNITS PER ASSY	APPLI- CATION
			1	2	3	4	5	6	7		
			RADIO RECEIVER SP-600-JX-17, RACK MOUNTINGS TUNER, RF: 1.35 TO 3.45 MC (INTERSTAGE)								
18	31389-1	E69	Tuner, RF (See Figure 8-39 for next higher assy)							Ref	c
18	31389-1	E76	Tuner, RF (See Figure 8-40 for next higher assy)							Ref	d
-1	Coml	C29	. Capacitor, fixed: 10,000 mmf (AEV type P488 or P487)							1	c
-1	Coml	C49	. Capacitor, fixed: 10,000 mmf (AEV type P488 or P487)							1	d
-2	RC20BF273K	R105	. Resistor, fixed (JAN-R-11)							1	c
-2	RC20BF273K	R106	. Resistor, fixed (JAN-R-11)							1	d
-3	RC20BF510J	R8	. Resistor, fixed (JAN-R-11)							1	c
-3	RC20BF510J	R18	. Resistor, fixed (JAN-R-11)							1	d
-4	31250-1	L9	. Coil, RF: interstage							1	c
-4	31250-1	L16	. Coil, RF: interstage							1	d
-5	31004-1	-	. Spring: flat type							2	
-6	31428-1	-	. Trimmer and Base Assembly							1	
			RADIO RECEIVER SP-600-JX-17, RACK MOUNTINGS TUNER, RF: 1.35 TO 3.45 MC (H-F OSC)								
19	31388-1	E86	Tuner, RF (See Figure 8-41 for next higher assy)							Ref	
-1	23072-53	C82	. Capacitor, fixed							1	
-2	31248-1	L26	. Coil, RF: h-f osc							1	
-3	31004-1	-	. Spring: flat type							2	
-4	31430-1	-	. Trimmer and Base Assembly							1	
			RADIO RECEIVER SP-600-JX-17, RACK MOUNTINGS TUNER, RF: 3.45 TO 7.4 MC (INPUT)								
20	31393-1	E63	Tuner, RF (See Figure 8-42 for next higher assy)							Ref	
-1	CM30C242J	C8	. Capacitor, fixed (JAN-C-5)							1	
-2	23003-41C	C6	. Capacitor, fixed							1	
-3	31252-1	L3	. Coil, RF: antenna							1	
-4	31004-1	-	. Spring: flat type							2	
-5	31427-1	-	. Trimmer and Base Assembly							1	
			RADIO RECEIVER SP-600-JX-17, RACK MOUNTINGS TUNER, RF: 3.45 TO 7.4 MC (INTERSTAGE)								
21	31392-1	E70	Tuner, RF (See Figure 8-43 for next higher assy)							Ref	e
21	31392-1	E77	Tuner, RF (See Figure 8-44 for next higher assy)							Ref	f
-1	RC20BF240J	R9	. Resistor, fixed (JAN-R-11)							1	e
-1	RC20BF240J	R19	. Resistor, fixed (JAN-R-11)							1	f
-2	RC20BF273K	R107	. Resistor, fixed (JAN-R-11)							1	e
-2	RC20BF273K	R108	. Resistor, fixed (JAN-R-11)							1	f

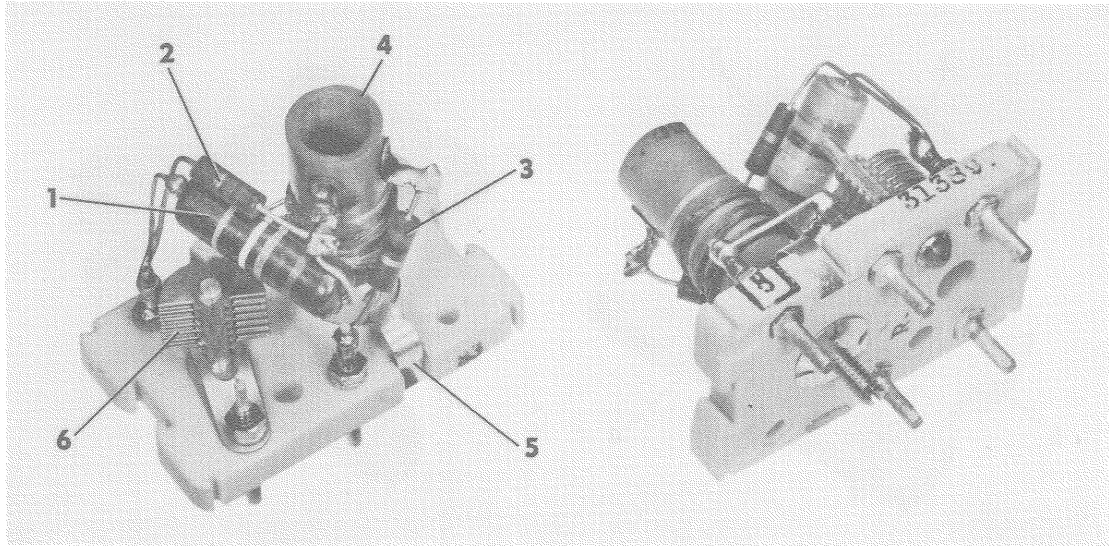


Figure 18. Tuner, RF: 1.35 to 3.45 MC (Interstage)

FIG & INDEX NO.	PART NUMBER	REF SYMBOL	NAME AND DESCRIPTION							UNITS PER ASSY	APPLI-CATION
			1	2	3	4	5	6	7		
			RADIO RECEIVER SP-600-JX-17, RACK MOUNTINGS TUNER, RF: 1.35 TO 3.45 MC (INTERSTAGE)								
18	31389-1	E69	Tuner, RF (See Figure 8-39 for next higher assy)							Ref	c
18	31389-1	E76	Tuner, RF (See Figure 8-40 for next higher assy)							Ref	d
-1	Coml	C29	. Capacitor, fixed: 10,000 mmf (AEV type P488 or P487)							1	c
-1	Coml	C49	. Capacitor, fixed: 10,000 mmf (AEV type P488 or P487)							1	d
-2	RC20BF273K	R105	. Resistor, fixed (JAN-R-11)							1	c
-2	RC20BF273K	R106	. Resistor, fixed (JAN-R-11)							1	d
-3	RC20BF510J	R8	. Resistor, fixed (JAN-R-11)							1	c
-3	RC20BF510J	R18	. Resistor, fixed (JAN-R-11)							1	d
-4	31250-1	L9	. Coil, RF: interstage							1	c
-4	31250-1	L16	. Coil, RF: interstage							1	d
-5	31004-1	-	. Spring: flat type							2	
-6	31428-1	-	. Trimmer and Base Assembly							1	
			RADIO RECEIVER SP-600-JX-17, RACK MOUNTINGS TUNER, RF: 1.35 TO 3.45 MC (H-F OSC)								
19	31388-1	E86	Tuner, RF (See Figure 8-41 for next higher assy)							Ref	
-1	23072-53	C82	. Capacitor, fixed							1	
-2	31248-1	L26	. Coil, RF: h-f osc							1	
-3	31004-1	-	. Spring: flat type							2	
-4	31430-1	-	. Trimmer and Base Assembly							1	
			RADIO RECEIVER SP-600-JX-17, RACK MOUNTINGS TUNER, RF: 3.45 TO 7.4 MC (INPUT)								
20	31393-1	E63	Tuner, RF (See Figure 8-42 for next higher assy)							Ref	
-1	CM30C242J	C8	. Capacitor, fixed (JAN-C-5)							1	
-2	23003-41C	C6	. Capacitor, fixed							1	
-3	31252-1	L3	. Coil, RF: antenna							1	
-4	31004-1	-	. Spring: flat type							2	
-5	31427-1	-	. Trimmer and Base Assembly							1	
			RADIO RECEIVER SP-600-JX-17, RACK MOUNTINGS TUNER, RF: 3.45 TO 7.4 MC (INTERSTAGE)								
21	31392-1	E70	Tuner, RF (See Figure 8-43 for next higher assy)							Ref	e
21	31392-1	E77	Tuner, RF (See Figure 8-44 for next higher assy)							Ref	f
-1	RC20BF240J	R9	. Resistor, fixed (JAN-R-11)							1	e
-1	RC20BF240J	R19	. Resistor, fixed (JAN-R-11)							1	f
-2	RC20BF273K	R107	. Resistor, fixed (JAN-R-11)							1	e
-2	RC20BF273K	R108	. Resistor, fixed (JAN-R-11)							1	f

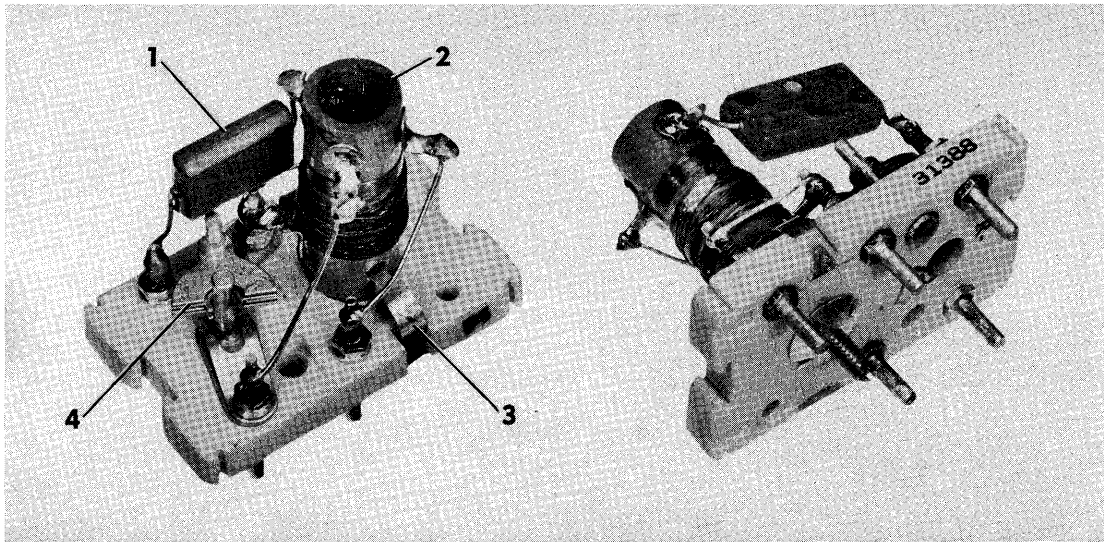


Figure 19. Tuner, RF: 1.35 to 3.45 MC (H-F Osc)

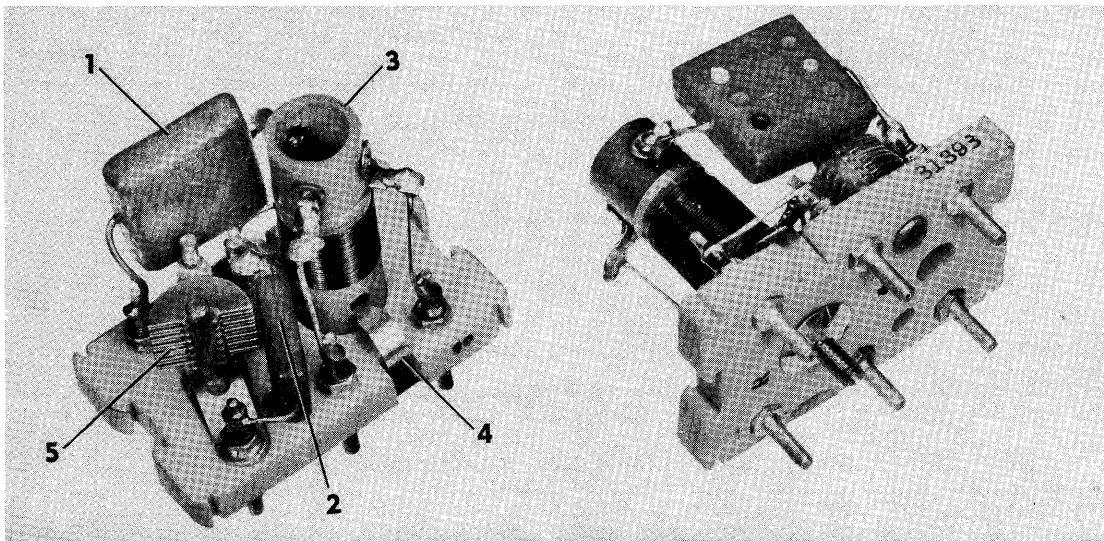


Figure 20. Tuner, RF: 3.45 to 7.4 MC (Input)

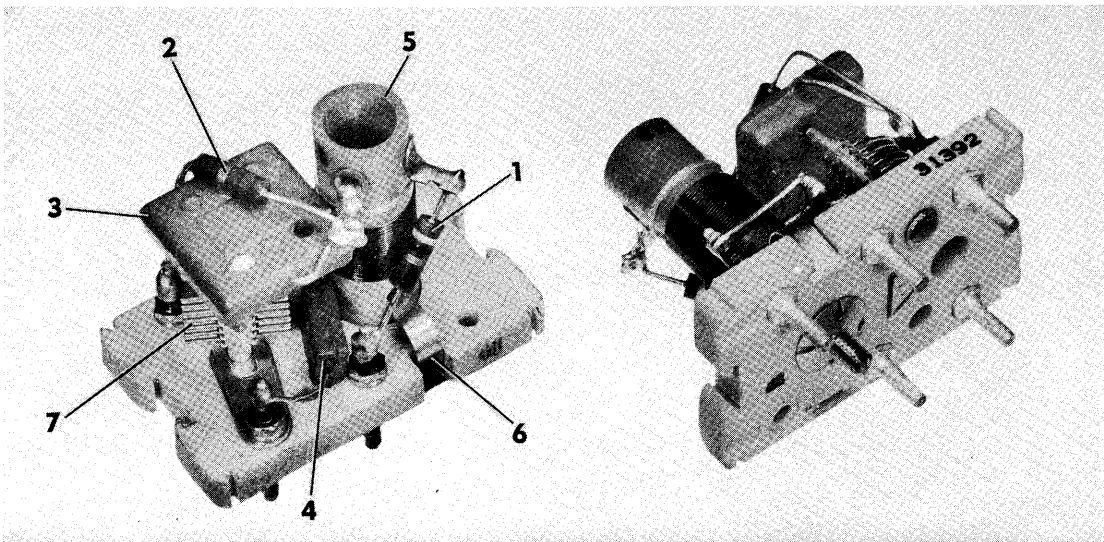


Figure 21. Tuner, RF: 3.45 to 7.4 MC (Interstage)

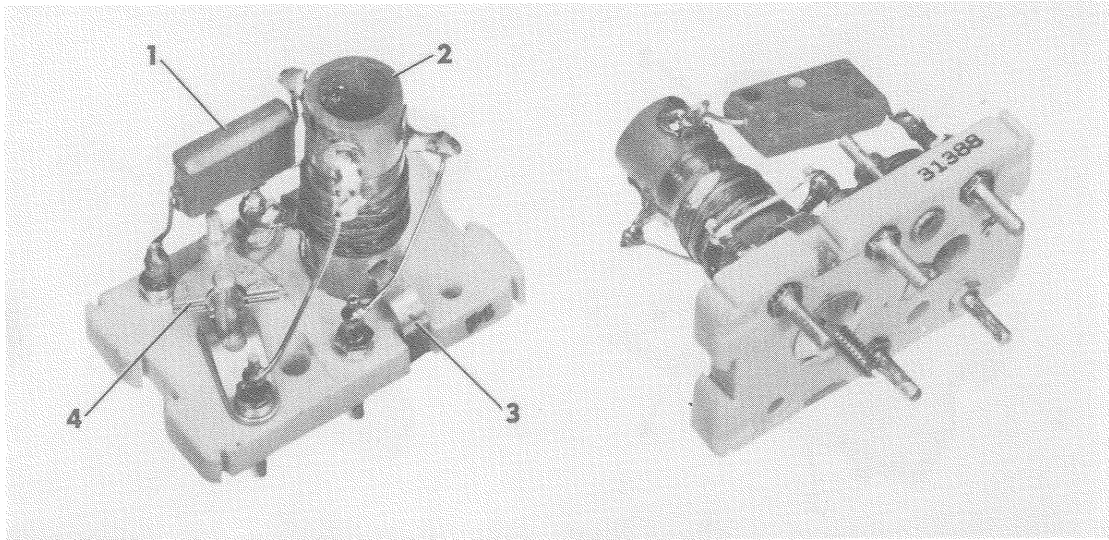


Figure 19. Tuner, RF: 1.35 to 3.45 MC (H-F Osc)

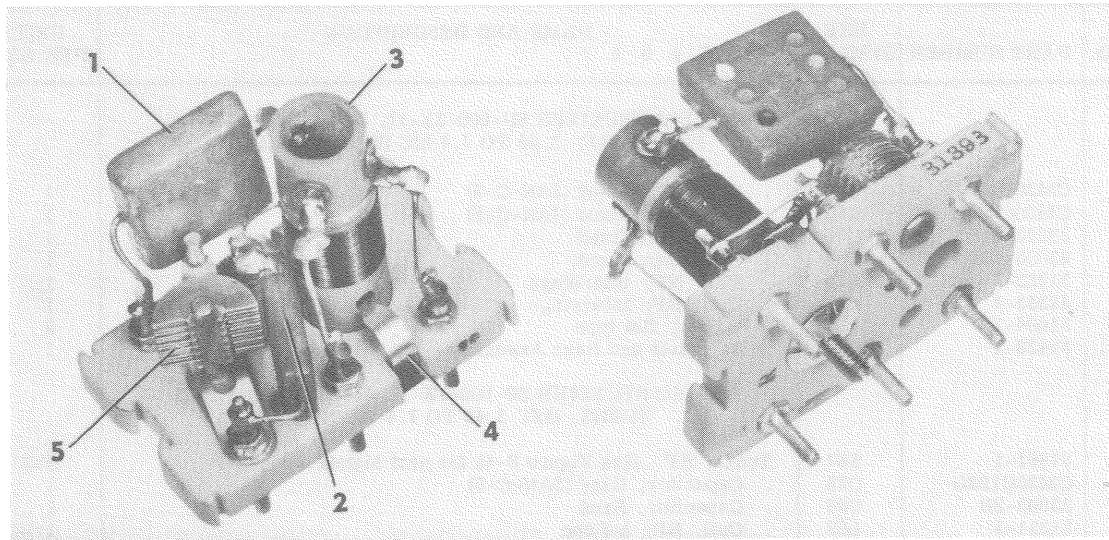


Figure 20. Tuner, RF: 3.45 to 7.4 MC (Input)

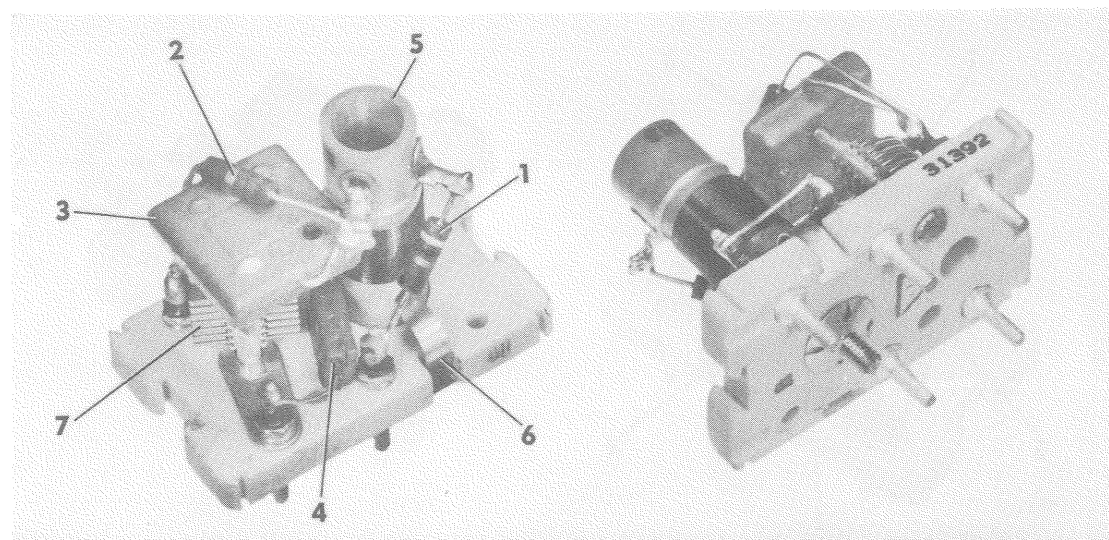


Figure 21. Tuner, RF: 3.45 to 7.4 MC (Interstage)

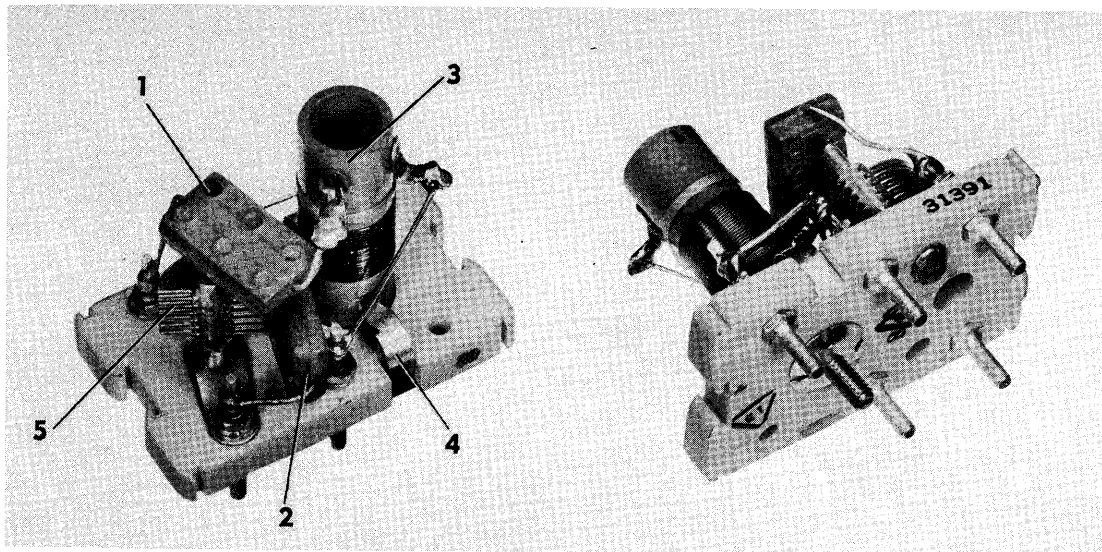


Figure 22. Tuner, RF: 3.45 to 7.4 MC (H-F osc)

FIG & INDEX NO.	PART NUMBER	REF SYMBOL	NAME AND DESCRIPTION							UNITS PER ASSY	APPLI-CATION
			1	2	3	4	5	6	7		
			RADIO RECEIVER SP-600-JX-17, RACK MOUNTINGS TUNER, RF: 3.45 TO 7.4 MC (INTERSTAGE) (cont)								
21-3	CM30C242J	C32	1	e f f e f	
-3	CM30C242J	C52	1		
-4	23003-41C	C30	1		
-4	23003-41C	C50	1		
-5	31253-1	L10	1		
-5	31253-1	L17	1		
-6	31004-1	-	2		
-7	31428-1	-	1		
			RADIO RECEIVER SP-600-JX-17, RACK MOUNTINGS TUNER, RF: 3.45 TO 7.4 MC (H-F OSC)								
22	31391-1	E87	Tuner, RF (See Figure 8-45 for next higher assy)							Ref	
-1	CM30C122G	C85	1		
-2	23003-2B	C83	1		
-3	31251-1	L27	1		
-4	31004-1	-	2		
-5	31428-1	-	1		

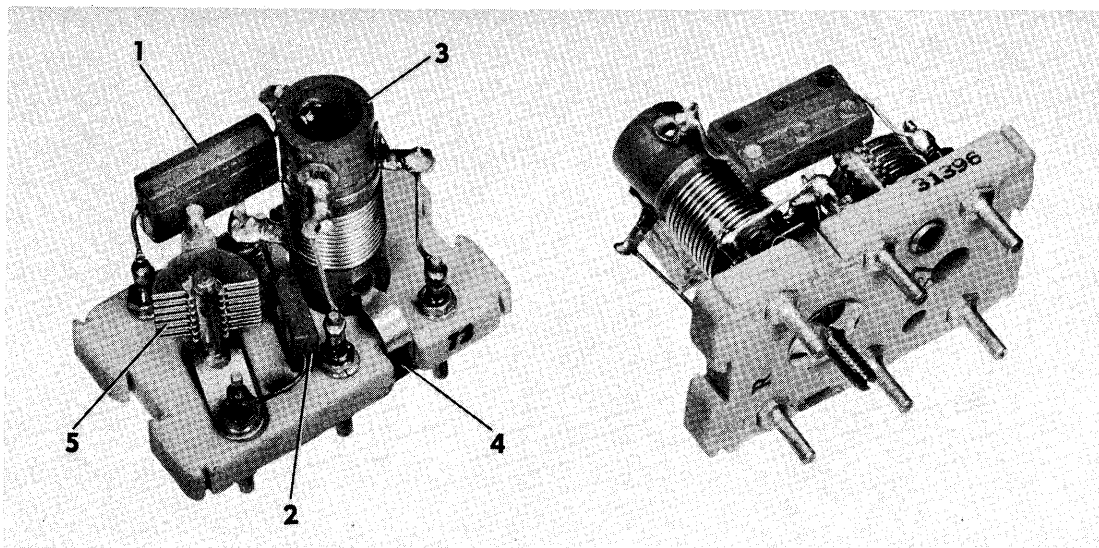


Figure 23. Tuner, RF: 7.4 to 14.8 MC (Input)

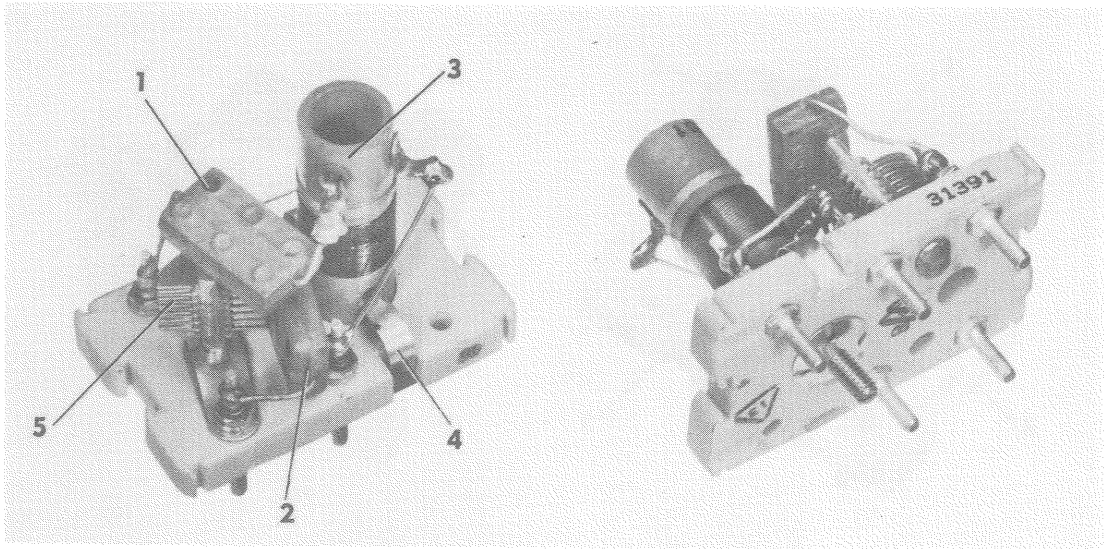


Figure 22. Tuner, RF: 3.45 to 7.4 MC (H-F osc)

FIG & INDEX NO.	PART NUMBER	REF SYMBOL	NAME AND DESCRIPTION							UNITS PER ASSY	APPLI-CATION
			1	2	3	4	5	6	7		
			RADIO RECEIVER SP-600-JX-17, RACK MOUNTINGS TUNER, RF: 3.45 TO 7.4 MC (INTERSTAGE) (cont)								
21-3	CM30C242J	C32	.							1	e f e f
-3	CM30C242J	C52	.							1	
-4	23003-41C	C30	.							1	
-4	23003-41C	C50	.							1	
-5	31253-1	L10	.							1	
-5	31253-1	L17	.							1	
-6	31004-1	-	.							2	
-7	31428-1	-	.							1	
			RADIO RECEIVER SP-600-JX-17, RACK MOUNTINGS TUNER, RF: 3.45 TO 7.4 MC (H-F OSC)								
22	31391-1	E87								Ref	
-1	CM30C122G	C85	.							1	
-2	23003-2B	C83	.							1	
-3	31251-1	L27	.							1	
-4	31004-1	-	.							2	
-5	31428-1	-	.							1	

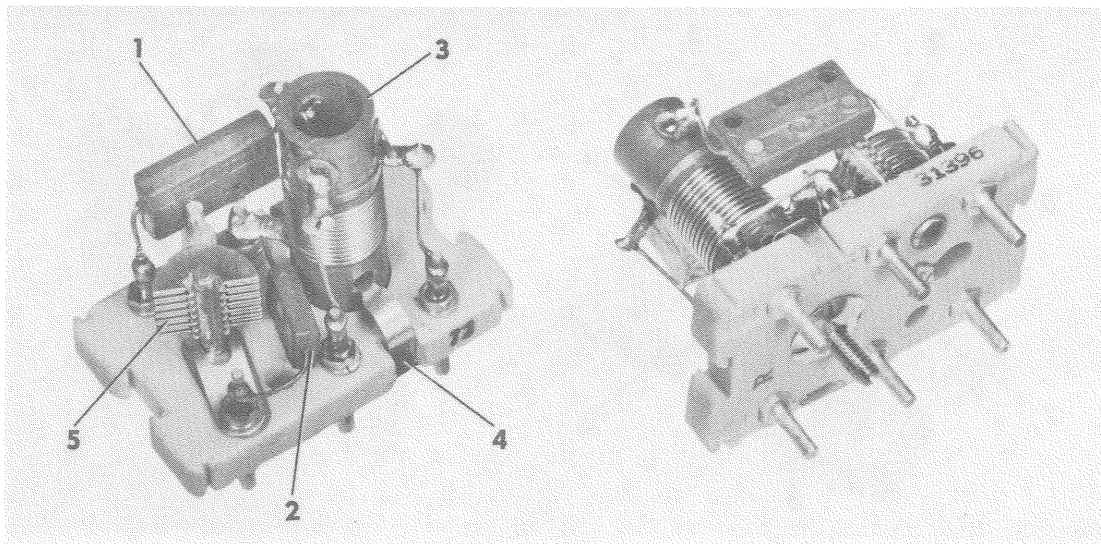


Figure 23. Tuner, RF: 7.4 to 14.8 MC (Input)

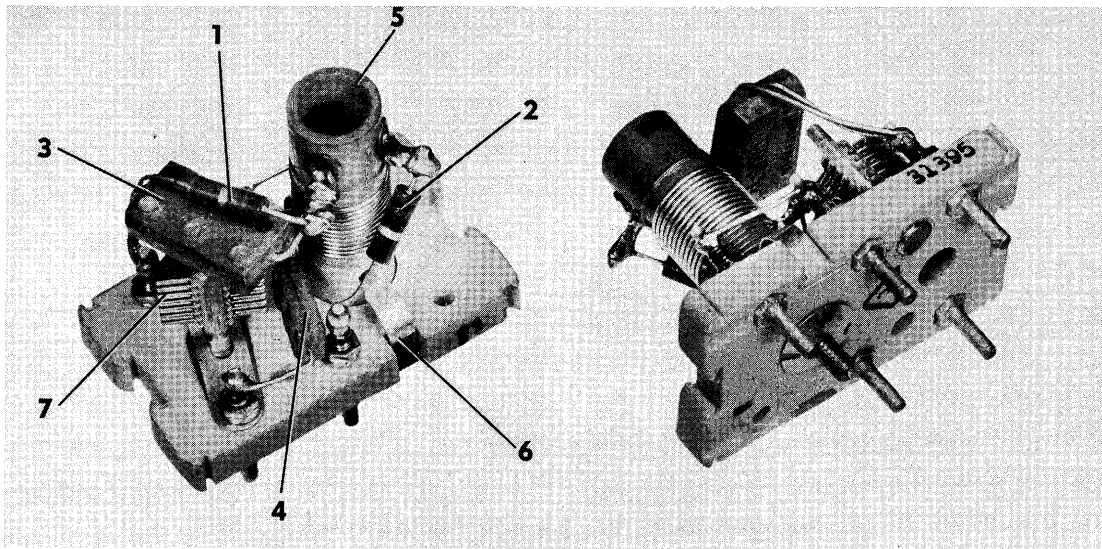


Figure 24. Tuner, RF: 7.4 to 14.8 MC (Interstage)

FIG & INDEX NO.	PART NUMBER	REF SYMBOL	NAME AND DESCRIPTION							UNITS PER ASSY	APPLI-CATION
			1	2	3	4	5	6	7		
			RADIO RECEIVER SP-600-JX-17, RACK MOUNTINGS TUNER, RF: 7.4 TO 14.8 MC (INPUT)								
23	31396-1	E64	Tuner, RF (See Figure 8-46 for next higher assy)							Ref	
-1	CM30C152G	C11	. Capacitor, fixed (JAN-C-5)							1	
-2	23003-45C	C9	. Capacitor, fixed							1	
-3	31255-1	L4	. Coil, RF: antenna							1	
-4	31004-1	-	. Spring, flat type							2	
-5	31427-1	-	. Trimmer and Base Assembly							1	
			RADIO RECEIVER SP-600-JX-17, RACK MOUNTINGS TUNER, RF: 7.4 TO 14.8 MC (INTERSTAGE)								
24	31395-1	E71	Tuner, RF (See Figure 8-47 for next higher assy)							Ref	
24	31395-1	E78	Tuner, RF (See Figure 8-48 for next higher assy)							Ref	g
-1	RC20BF273K	R109	. Resistor, fixed (JAN-R-11)							1	g
-1	RC20BF273K	R110	. Resistor, fixed (JAN-R-11)							1	h
-2	RC20BF220K	R10	. Resistor, fixed (JAN-R-11)							1	g
-2	RC20BF220K	R20	. Resistor, fixed (JAN-R-11)							1	h
-3	CM30C152G	C35	. Capacitor, fixed (JAN-C-5)							1	g
-3	CM30C152G	C55	. Capacitor, fixed (JAN-C-5)							1	h
-4	23003-45C	C33	. Capacitor, fixed							1	g
-4	23003-45C	C53	. Capacitor, fixed							1	h
-5	31256-1	L11	. Coil, RF: interstage							1	g
-5	31256-1	L18	. Coil, RF: interstage							1	h
-6	31004-1	-	. Spring: flat type							2	
-7	31428-1	-	. Trimmer and Base Assembly							1	

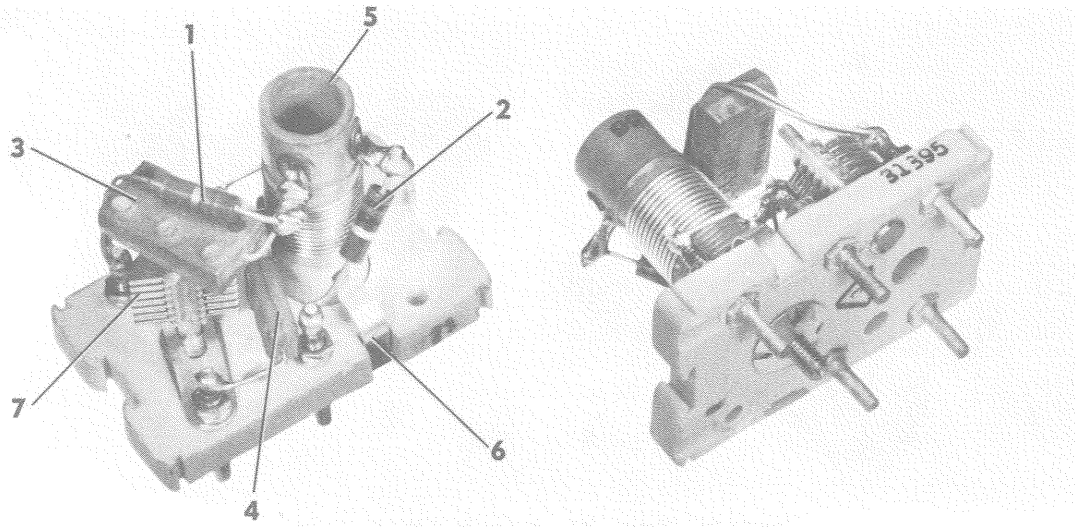


Figure 24. Tuner, RF: 7.4 to 14.8 MC (Interstage)

FIG & INDEX NO.	PART NUMBER	REF SYMBOL	NAME AND DESCRIPTION							UNITS PER ASSY	APPLI- CATION
			1	2	3	4	5	6	7		
			RADIO RECEIVER SP-600-JX-17, RACK MOUNTINGS TUNER, RF: 7.4 TO 14.8 MC (INPUT)								
23	31396-1	E64	Tuner, RF (See Figure 8-46 for next higher assy)							Ref	
-1	CM30C152G	C11	. Capacitor, fixed (JAN-C-5)							1	
-2	23003-45C	C9	. Capacitor, fixed							1	
-3	31255-1	L4	. Coil, RF: antenna							1	
-4	31004-1	-	. Spring, flat type							2	
-5	31427-1	-	. Trimmer and Base Assembly							1	
			RADIO RECEIVER SP-600-JX-17, RACK MOUNTINGS TUNER, RF: 7.4 TO 14.8 MC (INTERSTAGE)								
24	31395-1	E71	Tuner, RF (See Figure 8-47 for next higher assy)							Ref	
24	31395-1	E78	Tuner, RF (See Figure 8-48 for next higher assy)							Ref	g
-1	RC20BF273K	R109	. Resistor, fixed (JAN-R-11)							1	g
-1	RC20BF273K	R110	. Resistor, fixed (JAN-R-11)							1	h
-2	RC20BF220K	R10	. Resistor, fixed (JAN-R-11)							1	g
-2	RC20BF220K	R20	. Resistor, fixed (JAN-R-11)							1	h
-3	CM30C152G	C35	. Capacitor, fixed (JAN-C-5)							1	g
-3	CM30C152G	C55	. Capacitor, fixed (JAN-C-5)							1	h
-4	23003-45C	C33	. Capacitor, fixed							1	g
-4	23003-45C	C53	. Capacitor, fixed							1	h
-5	31256-1	L11	. Coil, RF: interstage							1	g
-5	31256-1	L18	. Coil, RF: interstage							1	h
-6	31004-1	-	. Spring: flat type							2	
-7	31428-1	-	. Trimmer and Base Assembly							1	

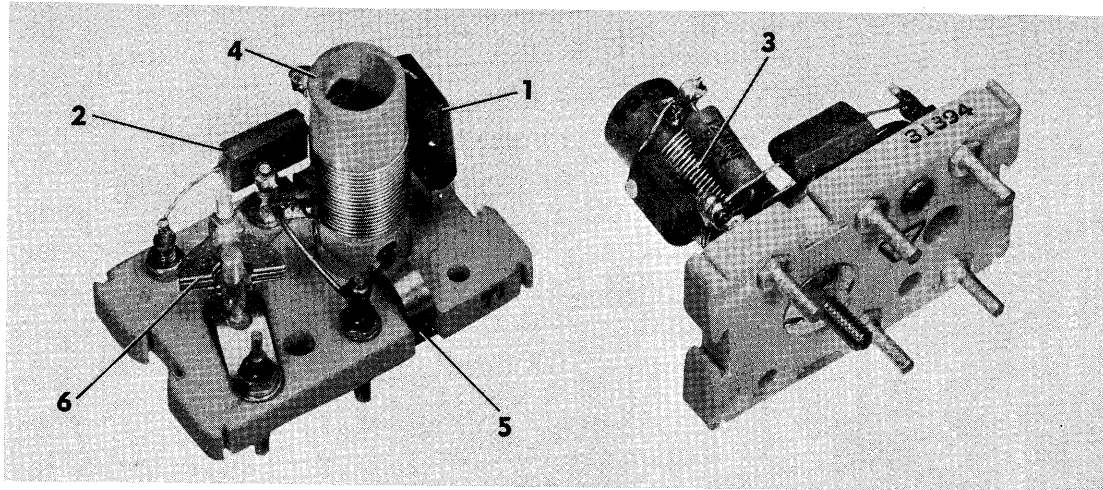


Figure 25. Tuner, RF: 7.4 to 14.8 MC (H-F Osc)

FIG & INDEX NO.	PART NUMBER	REF SYMBOL	NAME AND DESCRIPTION							UNITS PER ASSY	APPLI-CATION
			1	2	3	4	5	6	7		
			RADIO RECEIVER SP-600-JX-17, RACK MOUNTINGS TUNER, RF: 7.4 TO 14.8 MC (H-F OSC)								
25	31394-1	E88									
-1	23071-64	C89								Ref	
-2	23071-50	C87								1	
-3	CC21UJ120J	C88								1	
-4	31254-1	L28								1	
-5	31004-1	-								2	
-6	31430-1	-								1	
			RADIO RECEIVER SP-600-JX-17, RACK MOUNTINGS TUNER, RF: 14.8 TO 29.7 MC (INPUT)								
26	31399-1	E65									
-1	CC20CJ070F	C12								Ref	
-2	CM30C102G	C14								1	
-3	31258-1	L5								1	
-4	31004-1	-								2	
-5	31429-1	-								1	

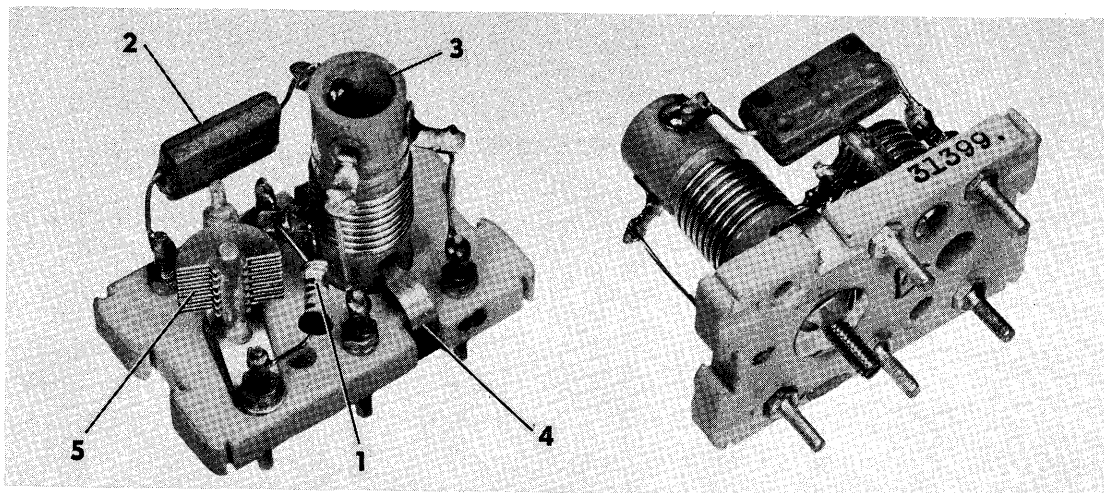


Figure 26. Tuner, RF: 14.8 to 29.7 MC (Input)

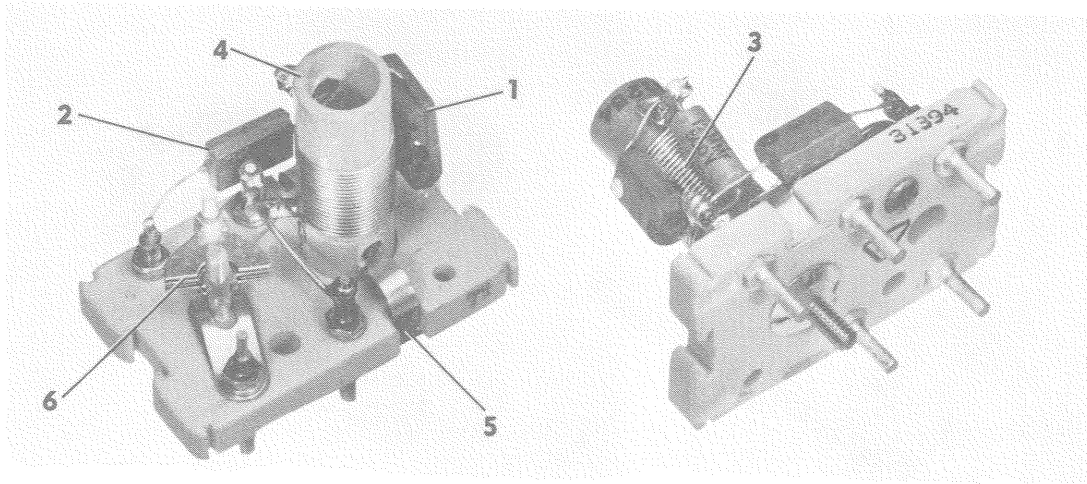


Figure 25. Tuner, RF: 7.4 to 14.8 MC (H-F Osc)

FIG & INDEX NO.	PART NUMBER	REF SYMBOL	NAME AND DESCRIPTION							UNITS PER ASSY	APPLI-CATION
			1	2	3	4	5	6	7		
RADIO RECEIVER SP-600-JX-17, RACK MOUNTINGS TUNER, RF: 7.4 TO 14.8 MC (H-F OSC)											
25	31394-1	E88	Tuner, RF (See Figure 8-49 for next higher assy)							Ref	
-1	23071-64	C89	. Capacitor, fixed: mica dielectric; 190 mmf, $\pm 1\%$ (AEV type 1469)							1	
-2	23071-50	C87	. Capacitor, fixed							1	
-3	CC21UJ120J	C88	. Capacitor, fixed (JAN-C-20A)							1	
-4	31254-1	L28	. Coil, RF: h-f osc							1	
-5	31004-1	-	. Spring: flat type							2	
-6	31430-1	-	. Trimmer and Base Assembly							1	
RADIO RECEIVER SP-600-JX-17, RACK MOUNTINGS TUNER, RF: 14.8 TO 29.7 MC (INPUT)											
26	31399-1	E65	Tuner, RF (See Figure 8-50 for next higher assy)							Ref	
-1	CC20CJ070F	C12	. Capacitor, fixed (JAN-C-20A)							1	
-2	CM30C102G	C14	. Capacitor, fixed (JAN-C-5)							1	
-3	31258-1	L5	. Coil, RF: antenna							1	
-4	31004-1	-	. Spring: flat type							2	
-5	31429-1	-	. Trimmer and Base Assembly							1	

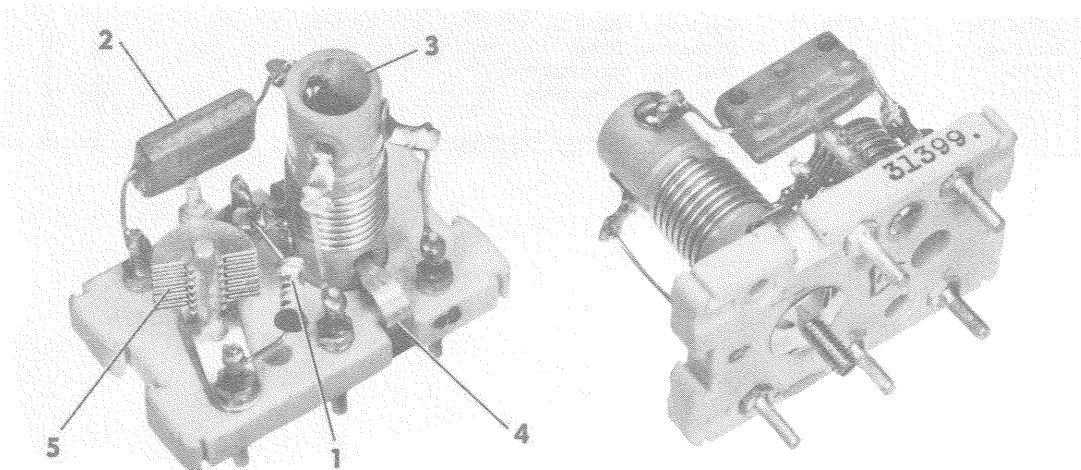


Figure 26. Tuner, RF: 14.8 to 29.7 MC (Input)

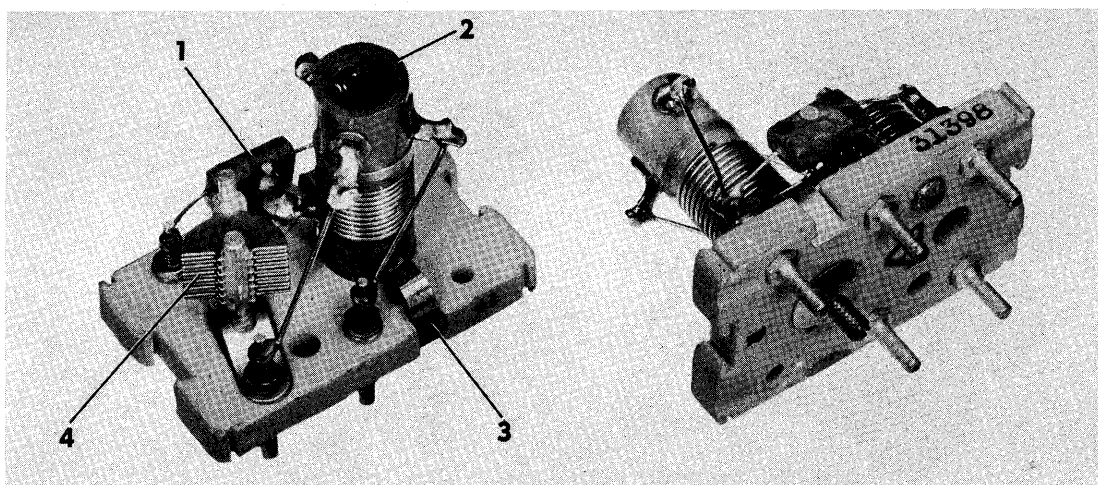


Figure 27. Tuner, RF: 14.8 to 29.7 MC (Interstage)

FIG & INDEX NO.	PART NUMBER	REF SYMBOL	NAME AND DESCRIPTION							UNITS PER ASSY	APPLI- CATION
			1	2	3	4	5	6	7		
			RADIO RECEIVER SP-600-JX 17, RACK MOUNTINGS TUNER, RF: 14.8 TO 29.7 MC (INTERSTAGE)								
27	31398-1	E72	Tuner, RF (See Figure 8-51 for next higher assy)							Ref	i
27	31398-1	E79	Tuner, RF (See Figure 8-52 for next higher assy)							Ref	j
-1	23003-94C	C37	. Capacitor, fixed							1	i
-1	23003-94C	C57	. Capacitor, fixed							1	j
-2	31259-1	L12	. Coil, RF: interstage							1	i
-2	31259-1	L19	. Coil, RF: interstage							1	j
-3	31004-1	-	. Spring: flat type							2	
-4	31428-1	-	. Trimmer and Base Assembly							1	
			RADIO RECEIVER SP-600-JX-17, RACK MOUNTINGS TUNER, RF: 14.8 TO 29.7 MC (H-F OSC)								
28	31397-1	E89	Tuner, RF (See Figure 8-53 for next higher assy)							Ref	
-1	23071-63	C93	. Capacitor, fixed: mica dielectric; 379 mmf $\pm 1\%$ (AEV type 1469)							1	
-2	23003-94C	C91	. Capacitor, fixed							1	
-3	CC21UJ510F	C92	. Capacitor, fixed (JAN-C-20A)							1	
-4	31257-1	L29	. Coil, RF: h-f osc							1	
-5	31004-1	-	. Spring: flat type							2	
-6	31430-1	-	. Trimmer and Base Assembly							1	

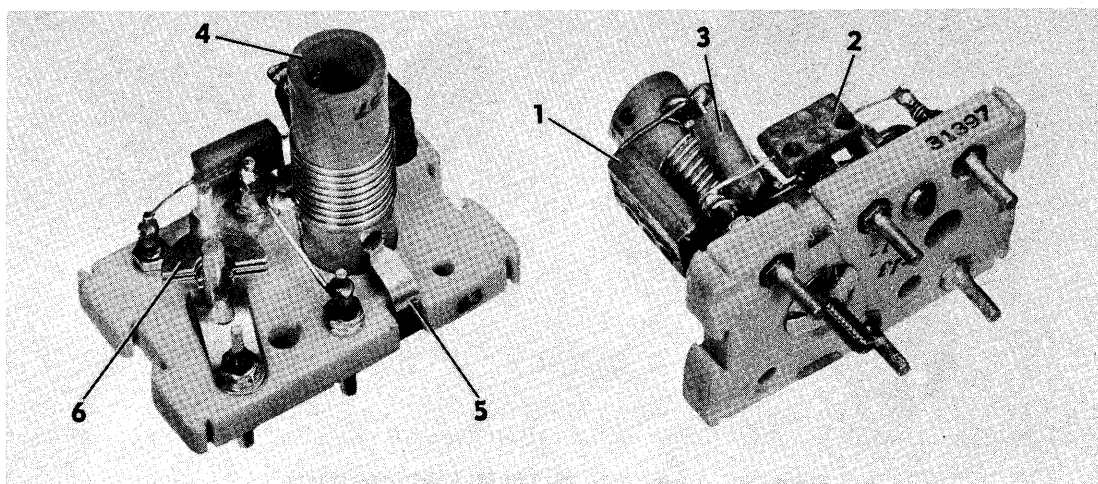


Figure 28. Tuner, RF: 14.8 to 29.7 MC (H-F Osc)

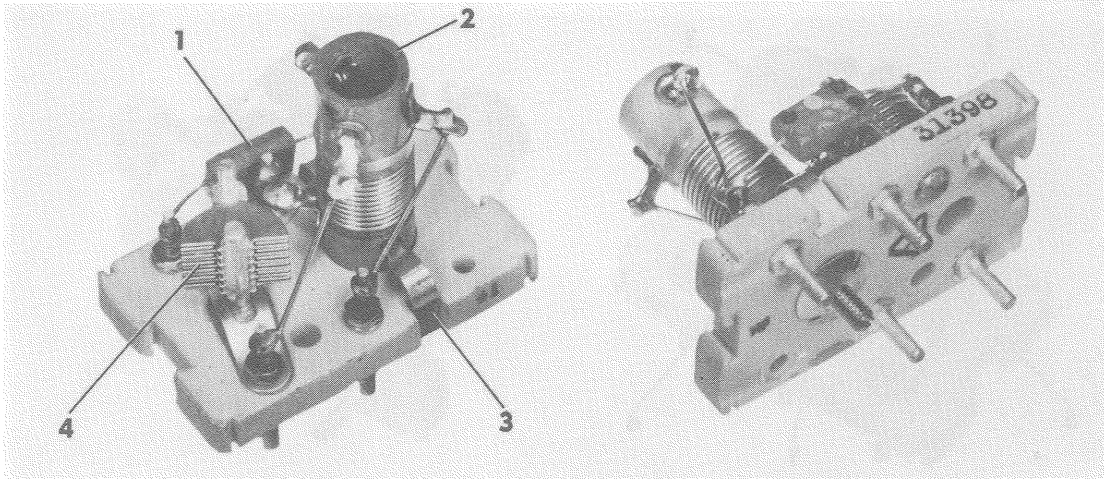


Figure 27. Tuner, RF: 14.8 to 29.7 MC (Interstage)

FIG & INDEX NO.	PART NUMBER	REF SYMBOL	NAME AND DESCRIPTION							UNITS PER ASSY	APPLI-CATION
			1	2	3	4	5	6	7		
			RADIO RECEIVER SP-600-JX 17, RACK MOUNTINGS TUNER, RF: 14.8 TO 29.7 MC (INTERSTAGE)								
27	31398-1	E72	Tuner, RF (See Figure 8-51 for next higher assy)							Ref	i
27	31398-1	E79	Tuner, RF (See Figure 8-52 for next higher assy)							Ref	j
-1	23003-94C	C37	. Capacitor, fixed							1	i
-1	23003-94C	C57	. Capacitor, fixed							1	j
-2	31259-1	L12	. Coil, RF: interstage							1	i
-2	31259-1	L19	. Coil, RF: interstage							1	j
-3	31004-1	-	. Spring: flat type							2	
-4	31428-1	-	. Trimmer and Base Assembly							1	
			RADIO RECEIVER SP-600-JX-17, RACK MOUNTINGS TUNER, RF: 14.8 TO 29.7 MC (H-F OSC)								
28	31397-1	E89	Tuner, RF (See Figure 8-53 for next higher assy)							Ref	
-1	23071-63	C93	. Capacitor, fixed: mica dielectric; 379 mmf $\pm 1\%$ (AEV type 1469)							1	
-2	23003-94C	C91	. Capacitor, fixed							1	
-3	CC21UJ510F	C92	. Capacitor, fixed (JAN-C-20A)							1	
-4	31257-1	L29	. Coil, RF: h-f osc							1	
-5	31004-1	-	. Spring: flat type							2	
-6	31430-1	-	. Trimmer and Base Assembly							1	

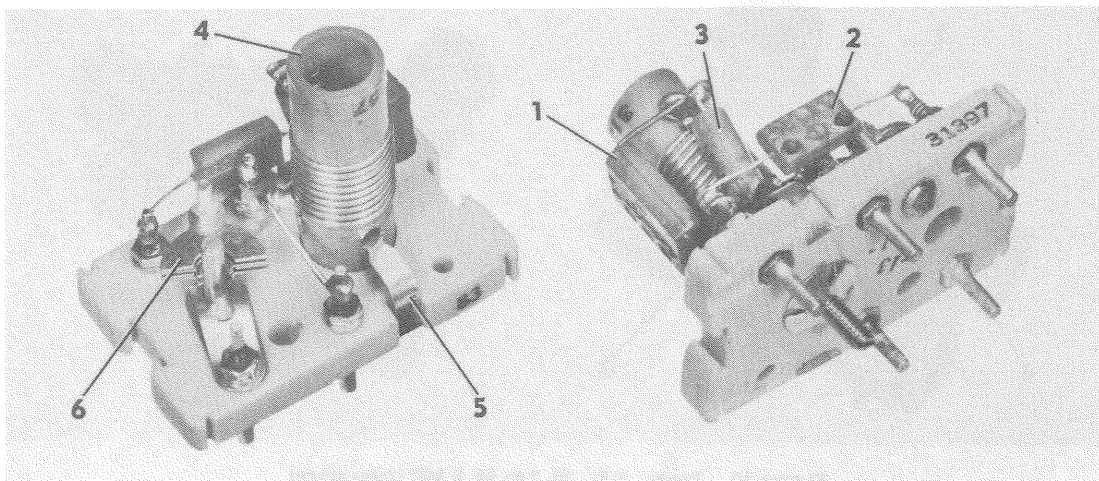


Figure 28. Tuner, RF: 14.8 to 29.7 MC (H-F Osc)

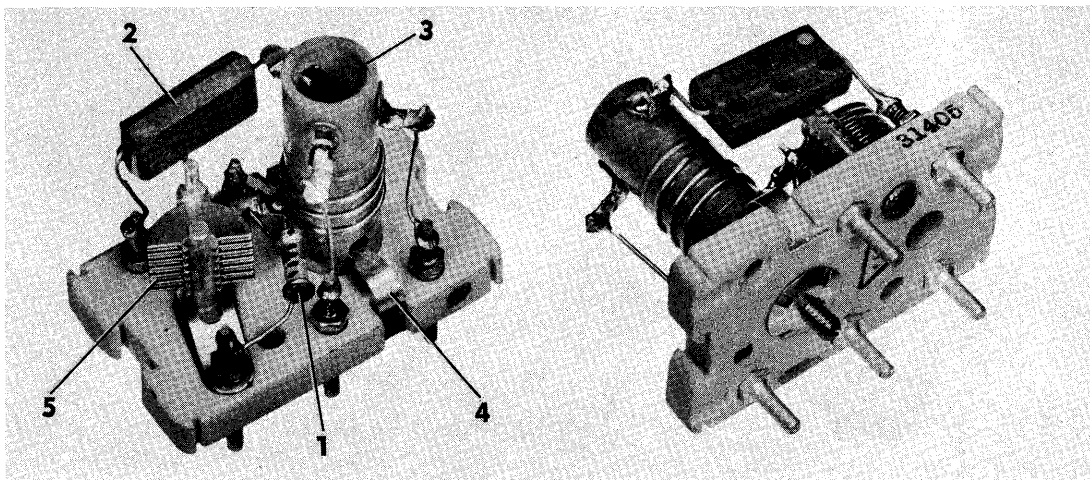


Figure 29. Tuner, RF: 29.7 to 54.0 MC (Input)

FIG & INDEX NO.	PART NUMBER	REF SYMBOL	NAME AND DESCRIPTION							UNITS PER ASSY	APPLI-CATION
			1	2	3	4	5	6	7		
			RADIO RECEIVER SP-600-JX-17, RACK MOUNTINGS TUNER, RF: 29.7 TO 54.0 MC (INPUT)								
29	31405-1	E66	Tuner, RF (See Figure 8-54 for next higher assy)							Ref	
-1	CC20HJ150J	C15	. Capacitor, fixed (JAN-C-20A)							1	
-2	CM30C152G	C17	. Capacitor, fixed (JAN-C-5)							1	
-3	31261-1	L6	. Coil, RF: antenna							1	
-4	31004-1	-	. Spring: flat type							2	
-5	31429-1	-	. Trimmer and Base Assembly							1	
			RADIO RECEIVER SP-600-JX-17, RACK MOUNTINGS TUNER, RF: 29.7 TO 54.0 MC (INTERSTAGE)								
30	31404-1	E73	Tuner, RF (See Figure 8-55 for next higher assy)							Ref	k
30	31404-1	E80	Tuner, RF (See Figure 8-56 for next higher assy)							Ref	l
-1	23003-87C	C39	. Capacitor, fixed							1	k
-1	23003-87C	C59	. Capacitor, fixed							1	l
-2	31262-1	L13	. Coil, RF: interstage							1	k
-2	31262-1	L20	. Coil, RF: interstage							1	l
-3	31004-1	-	. Spring: flat type							2	
-4	31428-1	-	. Trimmer and Base Assembly							1	

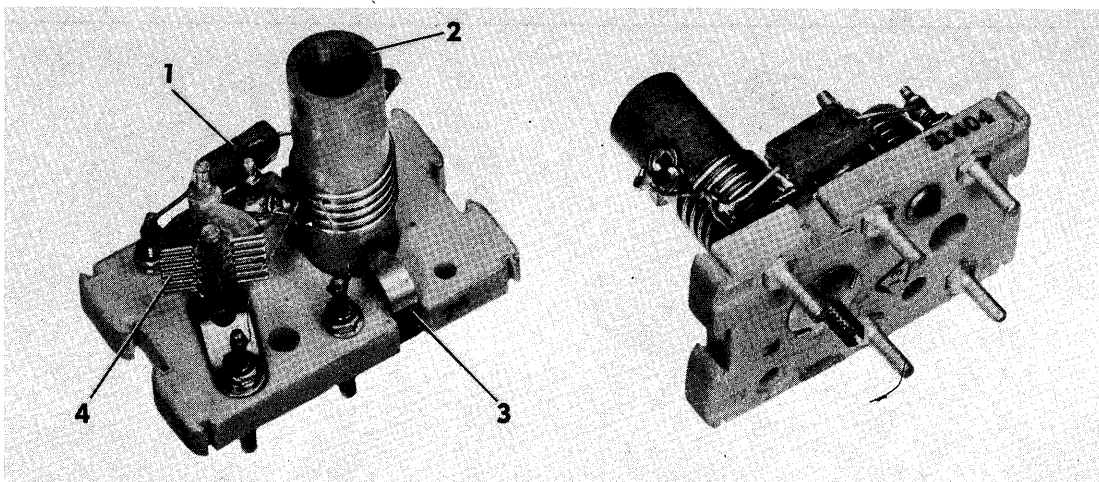


Figure 30. Tuner, RF: 29.7 to 54.0 MC (Interstage)

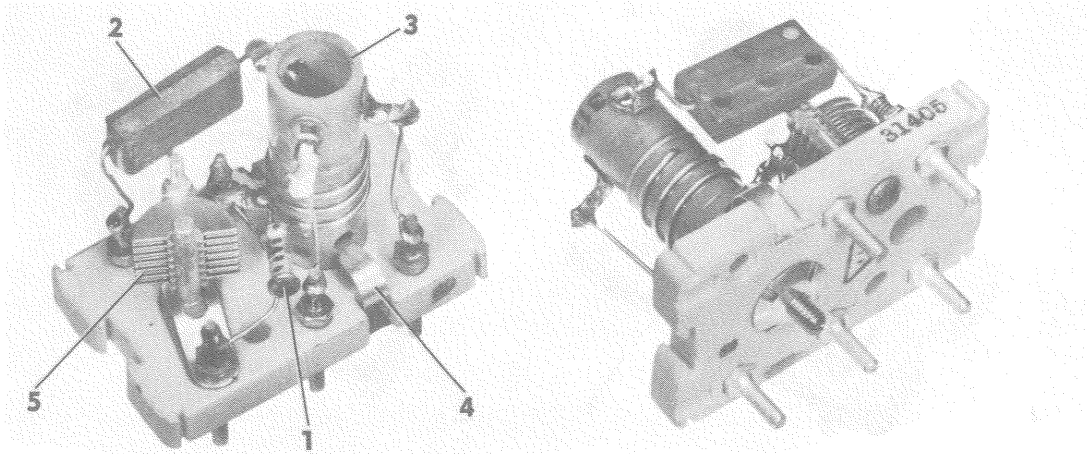


Figure 29. Tuner, RF: 29.7 to 54.0 MC (Input)

FIG & INDEX NO.	PART NUMBER	REF SYMBOL	NAME AND DESCRIPTION							UNITS PER ASSY	APPLI-CATION
			1	2	3	4	5	6	7		
			RADIO RECEIVER SP-600-JX-17, RACK MOUNTINGS TUNER, RF: 29.7 TO 54.0 MC (INPUT)								
29	31405-1	E66	Tuner, RF (See Figure 8-54 for next higher assy)							Ref	
-1	CC20HJ150J	C15	. Capacitor, fixed (JAN-C-20A)							1	
-2	CM30C152G	C17	. Capacitor, fixed (JAN-C-5)							1	
-3	31261-1	L6	. Coil, RF: antenna							1	
-4	31004-1	-	. Spring: flat type							2	
-5	31429-1	-	. Trimmer and Base Assembly							1	
			RADIO RECEIVER SP-600-JX-17, RACK MOUNTINGS TUNER, RF: 29.7 TO 54.0 MC (INTERSTAGE)								
30	31404-1	E73	Tuner, RF (See Figure 8-55 for next higher assy)							Ref	k
30	31404-1	E80	Tuner, RF (See Figure 8-56 for next higher assy)							Ref	l
-1	23003-87C	C39	. Capacitor, fixed							1	k
-1	23003-87C	C59	. Capacitor, fixed							1	l
-2	31262-1	L13	. Coil, RF: interstage							1	k
-2	31262-1	L20	. Coil, RF: interstage							1	l
-3	31004-1	-	. Spring: flat type							2	
-4	31428-1	-	. Trimmer and Base Assembly							1	

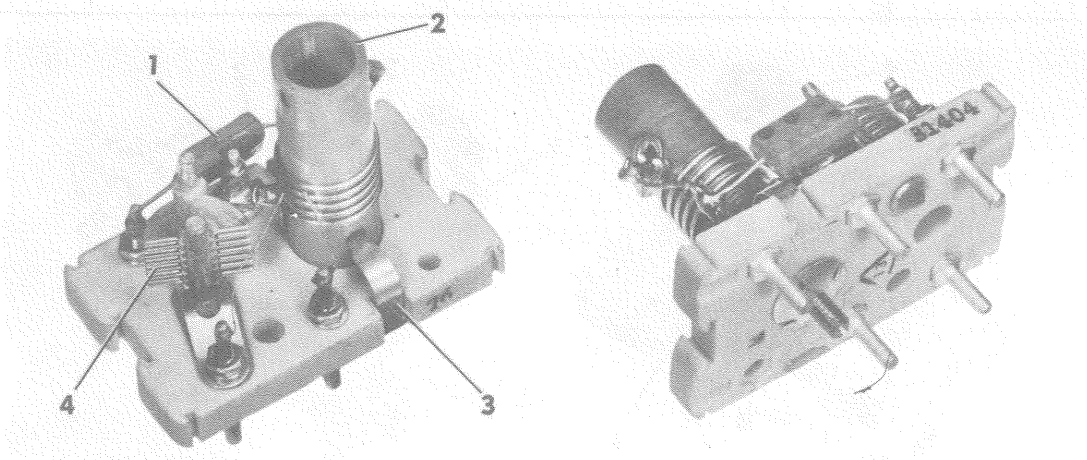


Figure 30. Tuner, RF: 29.7 to 54.0 MC (Interstage)

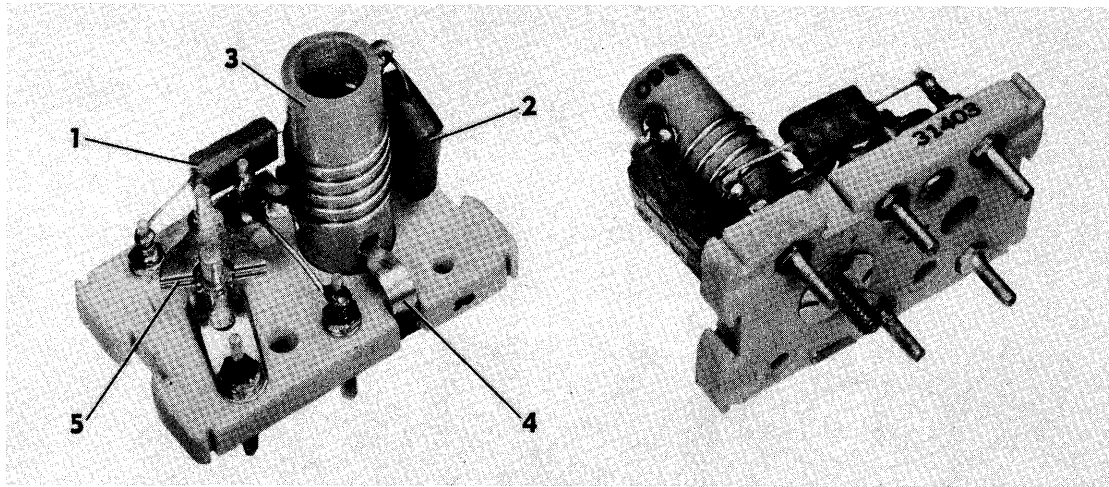


Figure 31. Tuner, RF: 29.7 to 54.0 MC (H-F Osc)

FIG & INDEX NO.	PART NUMBER	REF SYMBOL	NAME AND DESCRIPTION							UNITS PER ASSY	APPLI-CATION
			1	2	3	4	5	6	7		
			RADIO RECEIVER SP-600-JX-17, RACK MOUNTINGS TUNER, RF: 29.7 TO 54.0 MC (H-F OSC)								
31	31403-1	E90	Tuner, RF (See Figure 8-57 for next higher assy)							Ref	
-1	23003-87C	C95	. Capacitor, fixed							1	
-2	23072-52	C96	. Capacitor, fixed							1	
-3	31260-1	L30	. Coil, RF: h-f osc							1	
-4	31004-1	-	. Spring: flat type							2	
-5	31430-1	-	. Trimmer and Base Assembly							1	
			RADIO RECEIVER SP-600-JX-17, RACK MOUNTINGS CHASSIS ASSEMBLY								
32	33906-5	-	Chassis Assembly (See Figure 7-35 for next higher assy)							Ref	
-1	31240-1	-	. Bracket							1	
-2	31133-1	-	. Shield, coil							1	
-3	31019-1	-	. Shield, transf							3	
-4	T-2-5	E9	. Board, terminal (FNK)							1	
-5	31132-1	-	. Shield, transf							1	
-6	31105-1	-	. Shield, transf							1	
-7	Coml	-	. Screw, mach: slot drive; binding hd; steel, cad. pl; No. 6-32, 1/4 in. lg; incl ext tooth steel cad. pl washer 0.270 in. dia x 0.021 in. thick (IFCO) (Att. Pt.)							24	
-8	31116-2	T2	. Transformer, IF: 3,955 kc (See Figure 40 for assy breakdown)							1	
-9	31114-2	T3	. Transformer, IF: 455 kc (See Figure 42 for assy breakdown)							1	
-10	31102-2	T4	. Transformer, IF: 455 kc (See Figure 38 for assy breakdown)							1	
-11	31102-2	T5	. Transformer, IF: 455 kc (See Figure 38 for assy breakdown)							1	
-12	T-2-5	E6	. Board, terminal (FNK)							1	
-13	31106-1	T6	. Beat-freq Oscillator (See Figure 40 for assy breakdown)							1	
-14	31131-2	-	. 3.5 Mc Oscillator (See Figure 37 for assy breakdown)							1	
-15	2104-6	-	. Terminal, lug: cad. pl (SH)							6	
-16	AN936B6	-	. Washer, lock (Att. Pt.)							1	
-17	Coml	-	. Screw, mach: slot drive; binding hd; steel, cad. pl; No. 6-32, 1/4 in. lg; incl ext tooth steel cad. pl washer 0.270 in. dia x 0.021 in. thick (IFCO) (Att. Pt.)							12	
-18	16141-2	-	. Retainer, electron tube; incl (TTE) top hat No. 2, mtg studs and nuts							1	
-19	16140-2	-	. Retainer, electron tube; incl (TTE) top hat No. 4, mtg studs and nuts							1	
-20	31422-1	-	. Post, supporting							1	
-21	Coml	-	. Screw, mach: slot drive; binding hd; steel, cad. pl; No. 8-32, 1/2 in. lg; incl ext tooth steel cad. pl washer 0.317 in. dia x 0.021 in. thick (IFCO) (Att. Pt.)							1	
-22	31424-1	-	. Post, supporting							2	

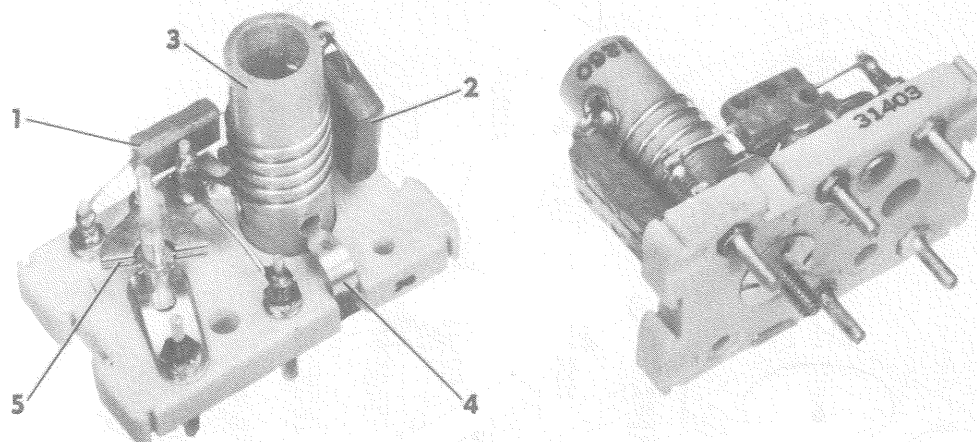


Figure 31. Tuner, RF: 29.7 to 54.0 MC (H-F Osc)

FIG & INDEX NO.	PART NUMBER	REF SYMBOL	NAME AND DESCRIPTION							UNITS PER ASSY	APPLI- CATION
			1	2	3	4	5	6	7		
RADIO RECEIVER SP-600-JX-17, RACK MOUNTINGS TUNER, RF: 29.7 TO 54.0 MC (H-F OSC)											
31	31403-1	E90	Tuner, RF (See Figure 8-57 for next higher assy)							Ref	
-1	23003-87C	C95	. Capacitor, fixed							1	
-2	23072-52	C96	. Capacitor, fixed							1	
-3	31260-1	L30	. Coil, RF: h-f osc							1	
-4	31004-1	-	. Spring: flat type							2	
-5	31430-1	-	. Trimmer and Base Assembly							1	
RADIO RECEIVER SP-600-JX-17, RACK MOUNTINGS CHASSIS ASSEMBLY											
32	33906-5	-	Chassis Assembly (See Figure 7-35 for next higher assy)							Ref	
-1	31240-1	-	. Bracket							1	
-2	31133-1	-	. Shield, coil							1	
-3	31019-1	-	. Shield, transf							3	
-4	T-2-5	E9	. Board, terminal (FNK)							1	
-5	31132-1	-	. Shield, transf							1	
-6	31105-1	-	. Shield, transf							1	
-7	Coml	-	. Screw, mach: slot drive; binding hd; steel, cad. pl; No. 6-32, 1/4 in. lg; incl ext tooth steel cad. pl washer 0.270 in. dia x 0.021 in. thick (IFCO) (Att. Pt.)							24	
-8	31116-2	T2	. Transformer, IF: 3,955 kc (See Figure 40 for assy breakdown)							1	
-9	31114-2	T3	. Transformer, IF: 455 kc (See Figure 42 for assy breakdown)							1	
-10	31102-2	T4	. Transformer, IF: 455 kc (See Figure 38 for assy breakdown)							1	
-11	31102-2	T5	. Transformer, IF: 455 kc (See Figure 38 for assy breakdown)							1	
-12	T-2-5	E6	. Board, terminal (FNK)							1	
-13	31106-1	T6	. Beat-freq Oscillator (See Figure 40 for assy breakdown)							1	
-14	31131-2	-	. 3.5 Mc Oscillator (See Figure 37 for assy breakdown)							1	
-15	2104-6	-	. Terminal, lug: cad. pl (SH)							6	
-16	AN936B6	-	. Washer, lock (Att. Pt.)							1	
-17	Coml	-	. Screw, mach: slot drive; binding hd; steel, cad. pl; No. 6-32, 1/4 in. lg; incl ext tooth steel cad. pl washer 0.270 in. dia x 0.021 in. thick (IFCO) (Att. Pt.)							12	
-18	16141-2	-	. Retainer, electron tube; incl (TTE) top hat No. 2, mtg studs and nuts							1	
-19	16140-2	-	. Retainer, electron tube; incl (TTE) top hat No. 4, mtg studs and nuts							1	
-20	31422-1	-	. Post, supporting							1	
-21	Coml	-	. Screw, mach: slot drive; binding hd; steel, cad. pl; No. 8-32, 1/2 in. lg; incl ext tooth steel cad. pl washer 0.317 in. dia x 0.021 in. thick (IFCO) (Att. Pt.)							1	
-22	31424-1	-	. Post, supporting							2	

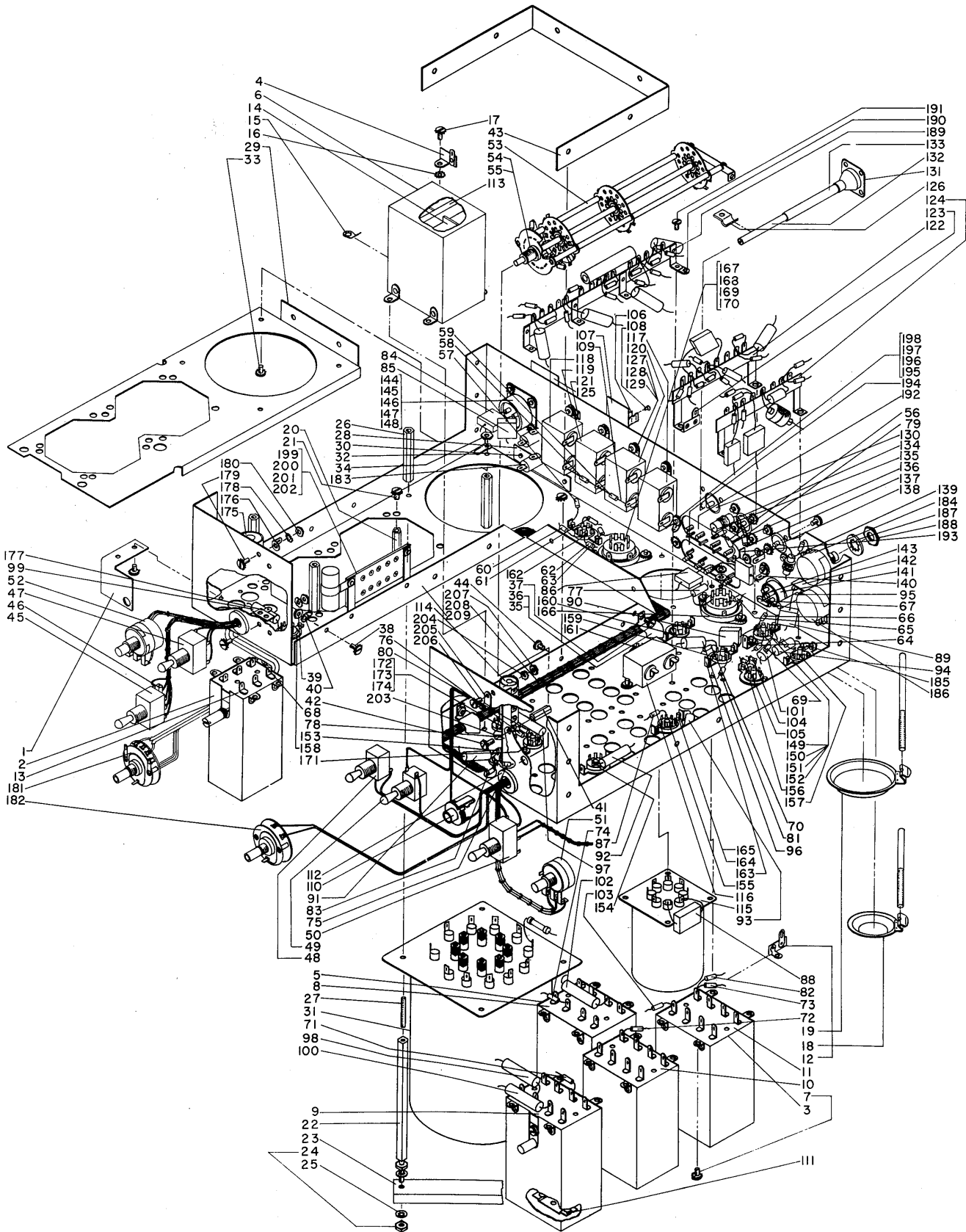


Figure 32. Chassis Assembly

FIG & INDEX NO.	PART NUMBER	REF SYMBOL	NAME AND DESCRIPTION							UNITS PER ASSY	APPLI- CATION
			1	2	3	4	5	6	7		
			RADIO RECEIVER SP-600-JX-17, RACK MOUNTINGS CHASSIS ASSEMBLY (cont)								
32-23	31425-1	-	.							1	
-24	Coml	-	.								
			.								
-25	AN936A10	-	.							4	
-26	31421-1	-	.							4	
-27	10010-35	-	.							4	
-28	31142-1	-	.							1	
-29	31420-1	-	.							1	
-30	Coml	-	.								
			.								
-31	31029-2	T8	.							2	
-32	2109-10-01	-	.							1	
-33	Coml	-	.							1	
			.								
-34	Coml	-	.							5	
			.								
-35	79	-	.							1	
-36	Coml	-	.							4	
			.								
-37	Coml	-	.							AR	
			.								
-38	Coml	-	.							2	
			.								
-39	10012-41	-	.							2	
-40	AN936B6	-	.							1	
-41	9226-11	-	.							2	
-42	Coml	-	.							1	
			.								
-43	31426-1	-	.							2	
-44	Coml	-	.							1	
			.								
-45	8363	S8	.							6	
-46	RC20BF335K	R97	.							1	
-47	8280	S7	.							1	
-48	8280	S6	.							1	
-49	8280	S9	.							1	
-50	81057N	S11	.							1	
			.								
-51	15342-11	R84	.							1	
-52	15342-21	R93 and S10	.								
			.								
-53	31216-1	-	.							1	
			.								
-54	AN936A616	-	.							1	
-55	10012-90	-	.							1	
-56	RC20BF103J	R70	.							1	
-57	RC20BF103J	R90	.							1	
-58	RC20BF103J	R91	.							1	
-59	RC20BF103J	R92	.							1	
-60	RC20BF124J	R87	.							1	
-61	RC20BF124J	R88	.							1	
-62	RC20BF823J	R86	.							1	
-63	RC20BF823J	R89	.							1	
-64	RC20BF474K	R78	.							1	
-65	RC20BF474K	R98	.							1	
-66	RC20BF102K	R83	.							1	
-67	RC20BF103J	R116	.							1	
-68	RC20BF104K	R75	.							1	
-69	RC20BF681K	R79	.							1	
-70	RC20BF183K	R66	.							1	
-71	RC20BF100K	R42	.							1	
-72	RC20BF100K	R50	.							1	
-73	RC20BF100K	R55	.							1	
-74	RC20BF222K	R37	.							1	

FIG & INDEX NO.	PART NUMBER	REF SYMBOL	NAME AND DESCRIPTION							UNITS PER ASSY	APPLI- CATION
			1	2	3	4	5	6	7		
RADIO RECEIVER SP-600-JX-17, RACK MOUNTINGS CHASSIS ASSEMBLY (cont)											
32-75	RC20BF152K	R33	.	Resistor, fixed (JAN-R-11)						1	
-76	RC20BF223J	R36	.	Resistor, fixed (JAN-R-11)						1	
-77	RC30BF361J	R99	.	Resistor, fixed (JAN-R-11)						1	
-78	RC20BF104K	R117	.	Resistor, fixed (JAN-R-11)						1	
-79	RC20BF471J	R114	.	Resistor, fixed (JAN-R-11)						1	
-80	RC20BF510J	R119	.	Resistor, fixed (JAN-R-11)						1	
-81	RC20BF105K	R61	.	Resistor, fixed (JAN-R-11)						1	
-82	RC20BF334J	R113	.	Resistor, fixed (JAN-R-11)						1	
-83	RC20BF391J	R112	.	Resistor, fixed (JAN-R-11)						1	
-84	CM35A103J	C152	.	Capacitor, fixed (JAN-C-5)						1	
-85	CM35A103J	C174	.	Capacitor, fixed (JAN-C-5)						1	
-86	CM35A103J	C177	.	Capacitor, fixed (JAN-C-5)						1	
-87	CM30C102G	C165	.	Capacitor, fixed (JAN-C-5)						1	
-88	23070-40	C150	.	Capacitor, fixed: 2,500 mmf $\pm 10\%$; 800 v dcw (AEV type No. 1441 WP)						1	
-89	CM35A512J	C147	.	Capacitor, fixed (JAN-C-5)						1	
-90	CM35A512J	C149	.	Capacitor, fixed (JAN-C-5)						1	
-91	Coml	C105	.	Capacitor, fixed: 10,000 mmf (AEV type P488 or P487)						1	
-92	Coml	C116	.	Capacitor, fixed: 10,000 mmf (AEV type P488 or P487)						1	
-93	Coml	C122	.	Capacitor, fixed: 10,000 mmf (AEV type P488 or P487)						1	
-94	Coml	C135	.	Capacitor, fixed: 10,000 mmf (AEV type P488 or P487)						1	
-95	Coml	C166	.	Capacitor, fixed: 10,000 mmf (AEV type P488 or P487)						1	
-96	Coml	C162	.	Capacitor, fixed: 22,000 mmf (AEV type P488 or P487)						1	
-97	Coml	C106	.	Capacitor, fixed: 22,000 mmf (AEV type P488 or P487)						1	
-98	Coml	C109	.	Capacitor, fixed: 22,000 mmf (AEV type P488 or P487)						1	
-99	Coml	C136	.	Capacitor, fixed: 22,000 mmf (AEV type P488 or P487)						1	
-100	Coml	C108	.	Capacitor, fixed: 22,000 mmf (AEV type P488 or P487)						1	
-101	Coml	C146	.	Capacitor, fixed: 22,000 mmf (AEV type P488 or P487)						1	
-102	Coml	C156	.	Capacitor, fixed: 22,000 mmf (AEV type P488 or P487)						1	
-103	CC20HJ150J	C145	.	Capacitor, fixed (JAN-C-20A)						1	
-104	CC21UJ510F	C138	.	Capacitor, fixed (JAN-C-20A)						1	
-105	CC21UJ510F	C139	.	Capacitor, fixed (JAN-C-20A)						1	
-106	4099	-	.	Clamp, electrical (BUS)						4	
-107	31493-1	-	.	Plate, identification: spare fuses						1	
-108	10006-26	-	.	Rivet						4	
-109	Coml	-	.	Tubing: covers part leads and bare wire; extruded plastic vinylite, black; hyflex, wire size No. 17 (IVI)						AR	
-110	JK-34A	J3	.	Jack, telephone: incl one hex nut and one washer [JAN-J-641 (1)]						1	
-111	31023-1	-	.	Spring: flat type; "U" shape						5	
-112	2029	-	.	Grommet: neoprene (CAF)						2	
-113	31472-1	-	.	Block, support: bakelite						1	
-114	CP28AIEC503M	C144	.	Capacitor, fixed (JAN-C-25)						1	
-115	31086-2	T7	.	Transformer, AF: one sec phone wdg and one split sec output wdg (UNT)						1	
-116	CE63D100H	C128	.	Capacitor, fixed: electrolytic (JAN-C-62)						1	
-117	CE63D100H	C151	.	Capacitor, fixed: electrolytic (JAN-C-62)						1	
-118	CE63D100H	C158	.	Capacitor, fixed: electrolytic (JAN-C-62)						1	
-119	CE63D100H	C159	.	Capacitor, fixed: electrolytic (JAN-C-62)						1	
-120	CE63D100H	C160	.	Capacitor, fixed: electrolytic (JAN-C-62)						1	
-121	2104-6	-	.	Terminal, lug: cad. pl (SH)						1	
-122	31151-1	-	.	Resistor-Capacitor Subassembly (See Figure 34 for assy breakdown)						1	
-123	2423	E4	.	Board, terminal (ICA)						1	
-124	31217-2	-	.	Resistor-Capacitor Subassembly (See Figure 35 for assy breakdown)						1	
-125	31492-1	-	.	Plate, identification: fuse						1	
-126	78	-	.	Clamp: #6 mtg hole (ZE)						1	
-127	Coml	-	.	Screw, mach: slot drive; binding hd; steel, cad. pl; No. 6-32, 5/16 in. lg; incl ext tooth steel cad. pl washer 0.271 in. dia x 0.021 in. thick (IFCO) (Att. Pt. for Items 115 thru 124)						19	
-128	AN936B6	-	.	Washer, lock (Att. Pt. for Items 115 thru 121)						18	
-129	10012-41	-	.	Nut, hex (PHE) (Att. Pt. for Items 115 thru 121)						18	
-130	SO-239	J6	.	Connector, female contact (Sig C)						1	
-131	UG-177/U	-	.	Hood (Sig C)						1	
-132	RG-58/U	-	.	Cable, RF (Sig C)						AR	
-133	Coml	-	.	Tubing: for cable rf: extruded plastic vinylite, black; hyflex, wire size No. 1 (IVI)						AR	
-134	SO-239	J7	.	Connector, female contact (Sig C)						1	
-135	31488-1	L54	.	Transformer, IF: 455 kc; tapped (JFE No. 1369)						1	
-136	T-2-5	E8	.	Board, terminal (FNK)						1	

FIG & INDEX NO.	PART NUMBER	REF SYMBOL	NAME AND DESCRIPTION							UNITS PER ASSY	APPLI- CATION
			1	2	3	4	5	6	7		
			RADIO RECEIVER SP-600-JX-17, RACK MOUNTINGS CHASSIS ASSEMBLY (cont)								
32-137	2104-6	-								1	
-138	SO-239	J2								1	
-139	31488-1	L53								1	
-140	2104-6	-								1	
-141	AN3102A-14S-2S	J4								1	
-142	1520	E5								1	
-143	2104-6	-								1	
-144	AN3102A-18-3P	J5								1	
-145	2104-6	-								2	
-146	Coml	-									
										20	
-147	AN936B4	-								20	
-148	Coml	-									
										20	
-149	TS103P01	X16								1	
-150	2104-6	-								1	
-151	2116-06	-								1	
-152	Coml	-									
										2	
-153	TS102P01	X7								1	
-154	TS102P01	X9								1	
-155	TS102P01	X10								1	
-156	TS102P01	X11								1	
-157	TS102P01	X12								1	
-158	TS102P01	X13								1	
-159	TS102P01	X14								1	
-160	TS102P01	X15								1	
-161	TS102P01	X18								1	
-162	TS102P01	X20								1	
-163	16174-1	-								10	
-164	AN936B4	-								22	
-165	Coml	-									
										22	
-166	TS101P01	X17								1	
-167	TS101P01	X19								1	
-168	AN936B6	-								4	
-169	Coml	-								4	
-170	10012-41	-								4	
-171	TS102P01	X6								1	
-172	TS102P01	X8								1	
-173	Coml	-									
										4	
-174	Coml	-								4	
-175	CP28AIEC254M	C137								1	
-176	2104-6	-								1	
-177	T-2-5	E10								1	
-178	AN936B6	-								2	
-179	Coml	-									
										5	
-180	10012-41	-								3	
-181	31469-3	S12								1	
-182	31469-2	S13								1	
-183	15923-1	-									
										2	
-184	15366-1	R69								1	
-185	RC20BF101J	R74								1	
-186	15342-4	R101								1	
-187	AN936A616	-								2	
-188	10012-90	-								2	
-189	31140-2	-									
										1	
-190	2104-6	-								4	
-191	Coml	-									
										4	

FIG & INDEX NO.	PART NUMBER	REF SYMBOL	NAME AND DESCRIPTION							UNITS PER ASSY	APPLI- CATION
			1	2	3	4	5	6	7		
RADIO RECEIVER SP-600-JX-17, RACK MOUNTINGS CHASSIS ASSEMBLY (cont)											
32-192	31141-1	E2	.	Board, terminal: marked: AUDIO OUTPUT (JNS)						1	
-193	T-2-5	E7	.	Board, terminal (FNK)						1	
-194	31480-1	E3	.	Board, terminal						1	
-195	2104-6	-	.	Terminal, lug: cad. pl (SH)						1	
-196	AN936B6	-	.	Washer, lock (Att. Pt.)						4	
-197	Coml	-	.	Screw, mach: slot drive; binding hd; steel, cad. pl; No. 6-32, 3/8 in. lg; incl ext tooth steel cad. pl washer 0.270 in. dia x 0.021 in. thick (IFCO) (Att. Pt.)						4	
-198	10012-41	-	.	Nut, hex (Att. Pt.)						4	
-199	33929-2	-	.	Resistor-Capacitor Subassembly (See Figure 43 for assy breakdown)						1	
-200	AN936B6	-	.	Washer, lock (Att. Pt.)						2	
-201	Coml	-	.	Screw, mach: slot drive; binding hd; steel, cad. pl; No. 6-32, 3/8 in. lg; incl ext tooth steel cad. pl washer 0.270 in. dia x 0.021 in. thick; (IFCO) (Att. Pt.)						2	
-202	10012-41	-	.	Nut, hex (PHE) (Att. Pt.)						2	
-203	T-8-6	E14	.	Board, terminal (FNK)						1	
-204	AN936B6	-	.	Washer, lock (Att. Pt.)						1	
-205	2104-6	-	.	Terminal, lug; cad. pl (SH)						1	
-206	Coml	-	.	Screw, mach: slot drive; binding hd; steel, cad. pl; No. 6-32, 5/16 in. lg; incl ext tooth steel cad. pl washer 0.271 in. dia x 0.021 in. thick (IFCO) (Att. Pt.)						2	
-207	10012-41	-	.	Nut, hex (PHE) (Att. Pt.)						2	
-208	31235-4	-	.	Wiring Assembly: main chassis cable; comprises forty-eight wires; "U" shaped						1	
-209	31135-5	-	.	Chassis						1	
RADIO RECEIVER SP-600-JX-17, RACK MOUNTINGS SELECTIVITY SWITCH ASSEMBLY											
33	31216-1	-	.	Switch Assembly (See Figure 32-53 for next higher assy)						Ref	
-1	15856-1	S5	.	Switch, rotary (incl washer and nut) (OAK) (type H)						1	
-2	31176-1	-	.	Bracket						1	
-3	10026-14	-	.	Washer, lock: nickel pl						2	
-4	10012-39	-	.	Nut, hex: cad. pl						2	
-5	RC20BF183K	R47	.	Resistor, fixed (JAN-R-11)						1	
-6	RC20BF112J	R46	.	Resistor, fixed (JAN-R-11)						1	
-7	RC20BF241J	R45	.	Resistor, fixed (JAN-R-11)						1	

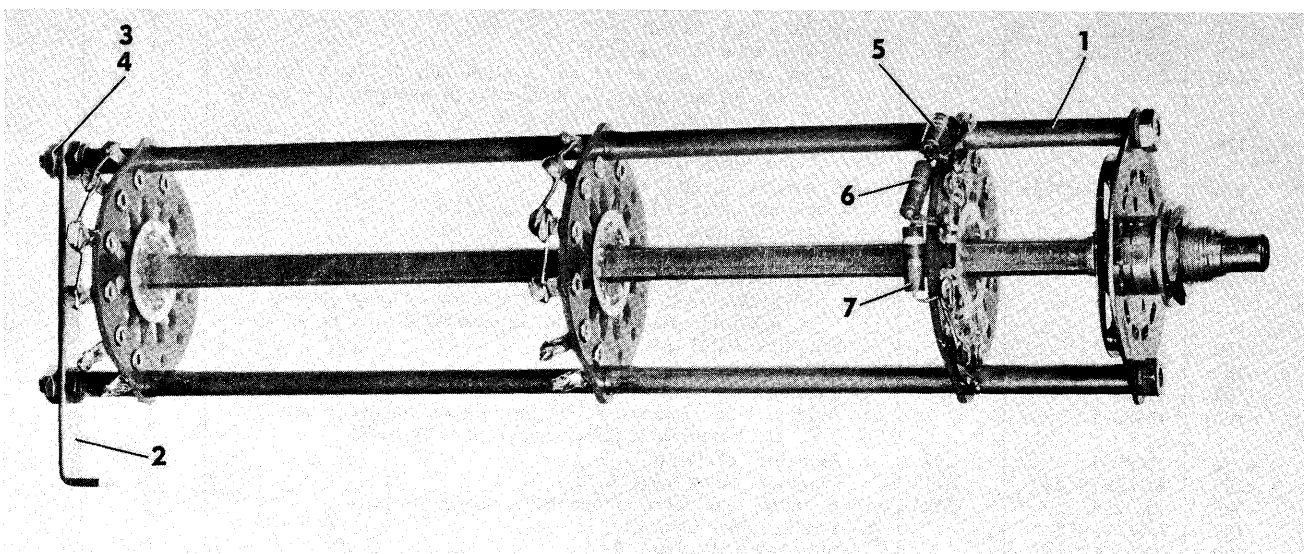


Figure 33. Selectivity Switch Assembly

FIG & INDEX NO.	PART NUMBER	REF SYMBOL	NAME AND DESCRIPTION							UNITS PER ASSY	APPLI- CATION
			1	2	3	4	5	6	7		
			RADIO RECEIVER SP-600-JX-17, RACK MOUNTINGS CHASSIS ASSEMBLY (cont)								
32-192	31141-1	E2	1	
-193	T-2-5	E7	1	
-194	31480-1	E3	1	
-195	2104-6	-	1	
-196	AN936B6	-	4	
-197	Coml	-	4	
-198	10012-41	-	4	
-199	33929-2	-	4	
-200	AN936B6	-	1	
-201	Coml	-	2	
-202	10012-41	-	2	
-203	T-8-6	E14	2	
-204	AN936B6	-	1	
-205	2104-6	-	1	
-206	Coml	-	1	
-207	10012-41	-	2	
-208	31235-4	-	2	
-209	31135-5	-	1	
			RADIO RECEIVER SP-600-JX-17, RACK MOUNTINGS SELECTIVITY SWITCH ASSEMBLY								
33	31216-1	-	Ref	
-1	15856-1	S5	1	
-2	31176-1	-	1	
-3	10026-14	-	2	
-4	10012-39	-	2	
-5	RC20BF183K	R47	1	
-6	RC20BF112J	R46	1	
-7	RC20BF241J	R45	1	

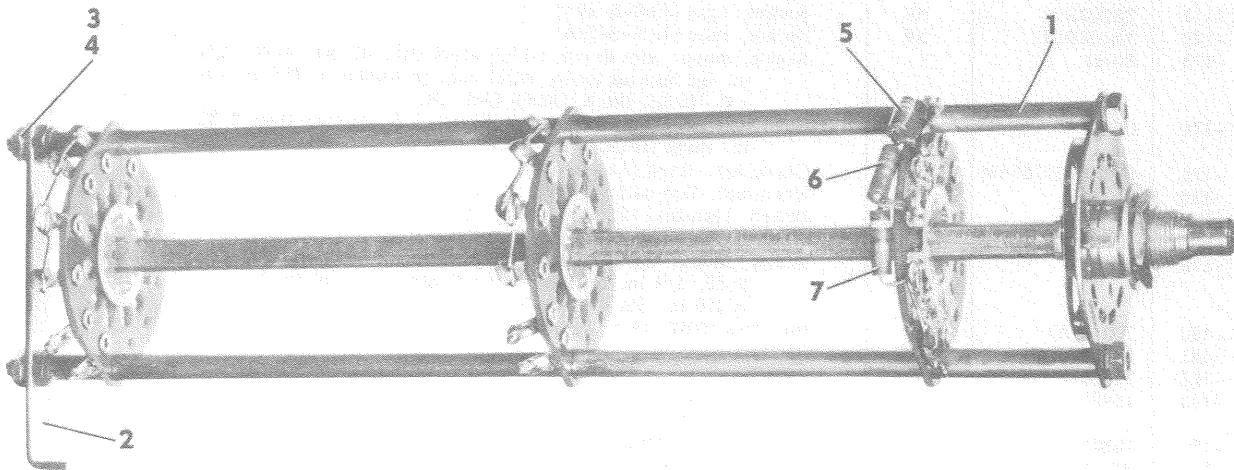


Figure 33. Selectivity Switch Assembly

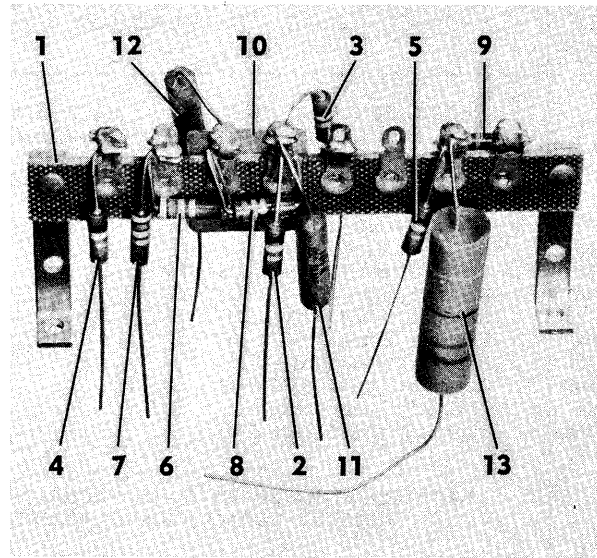


Figure 34. Resistor-Capacitor Subassembly

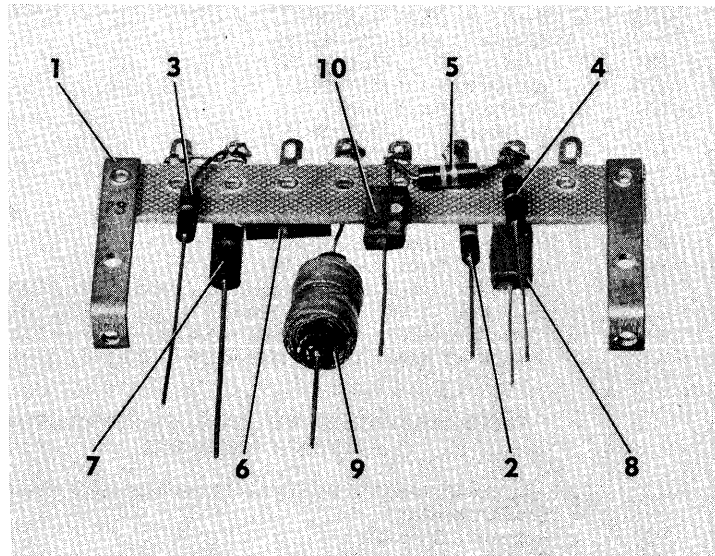


Figure 35. Resistor-Capacitor Subassembly

FIG & INDEX NO.	PART NUMBER	REF SYMBOL	NAME AND DESCRIPTION							UNITS PER ASSY	APPLI- CATION
			1	2	3	4	5	6	7		
			RADIO RECEIVER SP-600-JX-17, RACK MOUNTINGS RESISTOR-CAPACITOR SUBASSEMBLY								
34	31151-1	-	Resistor-Capacitor Subassembly (See Figure 32-122 for next higher assy)							Ref	
-1	31163-1	E15	. Board, terminal (LTJI)							1	
-2	RC20BF104K	R62	. Resistor, fixed (JAN-R-11)							1	
-3	RC20BF104K	R67	. Resistor, fixed (JAN-R-11)							1	
-4	RC20BF104K	R68	. Resistor, fixed (JAN-R-11)							1	
-5	RC20BF104K	R81	. Resistor, fixed (JAN-R-11)							1	
-6	RC20BF473K	R64	. Resistor, fixed (JAN-R-11)							1	
-7	RC20BF473K	R65	. Resistor, fixed (JAN-R-11)							1	
-8	RC20BF273K	R63	. Resistor, fixed (JAN-R-11)							1	
-9	RC20BF103J	R82	. Resistor, fixed (JAN-R-11)							1	
-10	CM35A512J	C143	. Capacitor, fixed (JAN-C-5)							1	
-11	CC26SL101K	C141	. Capacitor, fixed (JAN-C-5)							1	
-12	CC26SL101K	C142	. Capacitor, fixed (JAN-C-5)							1	
-13	Coml	C148	. Capacitor, fixed 22,000 mmf (AEV type P488 or P487)							1	

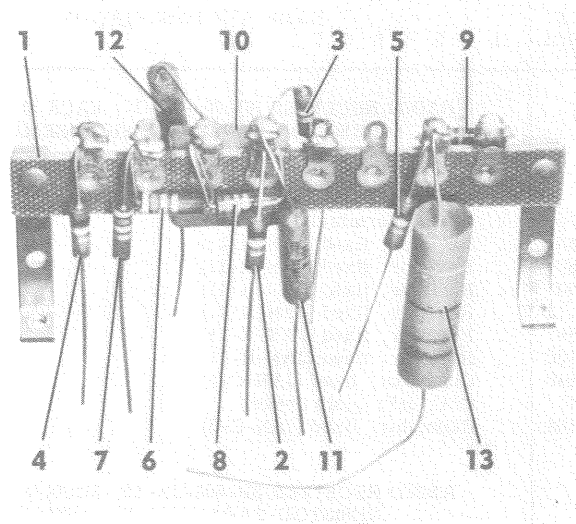


Figure 34. Resistor-Capacitor Subassembly

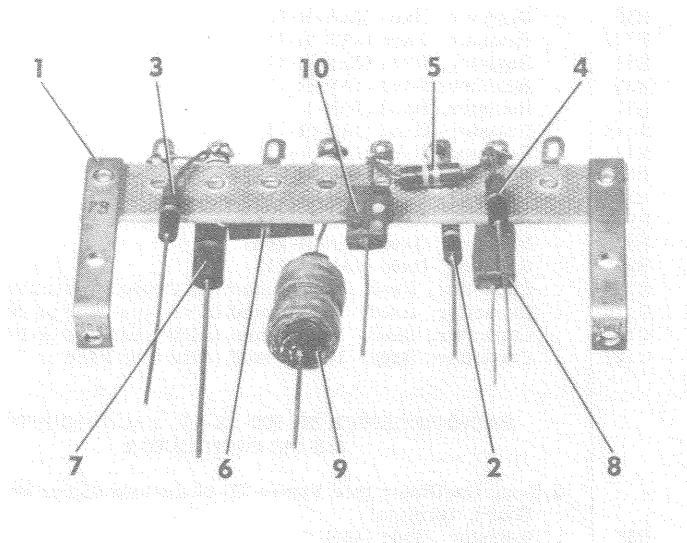


Figure 35. Resistor-Capacitor Subassembly

FIG & INDEX NO.	PART NUMBER	REF SYMBOL	NAME AND DESCRIPTION							UNITS PER ASSY	APPLI- CATION
			1	2	3	4	5	6	7		
34	31151-1	-	RADIO RECEIVER SP-600-JX-17, RACK MOUNTINGS RESISTOR-CAPACITOR SUBASSEMBLY								
			Resistor-Capacitor Subassembly (See Figure 32-122 for next higher assy)							Ref	
-1	31163-1	E15	. Board, terminal (LTJI)							1	
-2	RC20BF104K	R62	. Resistor, fixed (JAN-R-11)							1	
-3	RC20BF104K	R67	. Resistor, fixed (JAN-R-11)							1	
-4	RC20BF104K	R68	. Resistor, fixed (JAN-R-11)							1	
-5	RC20BF104K	R81	. Resistor, fixed (JAN-R-11)							1	
-6	RC20BF473K	R64	. Resistor, fixed (JAN-R-11)							1	
-7	RC20BF473K	R65	. Resistor, fixed (JAN-R-11)							1	
-8	RC20BF273K	R63	. Resistor, fixed (JAN-R-11)							1	
-9	RC20BF103J	R82	. Resistor, fixed (JAN-R-11)							1	
-10	CM35A512J	C143	. Capacitor, fixed (JAN-C-5)							1	
-11	CC26SL101K	C141	. Capacitor, fixed (JAN-C-5)							1	
-12	CC26SL101K	C142	. Capacitor, fixed (JAN-C-5)							1	
-13	Coml	C148	. Capacitor, fixed 22, 000 mmf (AEV type P488 or P487)							1	

FIG & INDEX NO.	PART NUMBER	REF SYMBOL	NAME AND DESCRIPTION 1 2 3 4 5 6 7	UNITS PER ASSY	APPLI- CATION
RADIO RECEIVER SP-600-JX-17, RACK MOUNTINGS RESISTOR-CAPACITOR SUBASSEMBLY					
35	31217-2	-	Resistor-Capacitor Subassembly (See Figure 32-124 for next higher assy)	Ref	
-1	31163-1	E16	. Board, terminal	1	
-2	RC20BF222K	R58	. Resistor, fixed (JAN-R-11)	1	
-3	RC20BF222K	R80	. Resistor, fixed (JAN-R-11)	1	
-4	RC20BF105K	R60	. Resistor, fixed (JAN-R-11)	1	
-5	RC20BF473J	R111	. Resistor, fixed (JAN-R-11)	1	
-6	RC30BF222K	R59	. Resistor, fixed (JAN-R-11)	1	
-7	RC20BF104K	R100	. Resistor, fixed (JAN-R-11)	1	
-8	CM20C431G	C140	. Capacitor, fixed (JAN-C-5)	1	
-9	15616-1	L47	. Coil, RF: plate choke	1	
-10	CM20C431G	C164	. Capacitor, fixed (JAN-C-5)	1	
RADIO RECEIVER SP-600-JX-17, RACK MOUNTINGS RESISTOR-CAPACITOR SUBASSEMBLY					
36	31140-2	-	. Resistor-Capacitor Subassembly (See Figure 32-189 for next higher assy)	Ref	
-1	31162-1	E17	. Board, terminal (LTJI)	1	
-2	RC20BF511J	R32	. Resistor, fixed (JAN-R-11)	1	
-3	RC20BF333J	R39	. Resistor, fixed (JAN-R-11)	1	
-4	RC20BF103J	R122	. Resistor, fixed (JAN-R-11)	1	
-5	RC20BF103J	R44	. Resistor, fixed (JAN-R-11)	1	
-6	RC20BF103J	R52	. Resistor, fixed (JAN-R-11)	1	
-7	RC20BF103J	R57	. Resistor, fixed (JAN-R-11)	1	
-8	RC20BF104K	R115	. Resistor, fixed (JAN-R-11)	1	
-9	RC20BF104K	R43	. Resistor, fixed (JAN-R-11)	1	
-10	RC20BF104K	R56	. Resistor, fixed (JAN-R-11)	1	
-11	RC20BF104K	R51	. Resistor, fixed (JAN-R-11)	1	
-12	RC20BF223J	R96	. Resistor, fixed (JAN-R-11)	1	
-13	RW32G252	R85	. Resistor, fixed (JAN-R-26A)	1	
-14	RC20BF823J	R95	. Resistor, fixed (JAN-R-11)	1	
-15	Coml	C176	. Capacitor, fixed: 10,000 mmf (AEV type P488 or P487)	1	
-16	Coml	C115	. Capacitor, fixed: 10,000 mmf (AEV type P488 or P487)	1	
-17	Coml	C121	. Capacitor, fixed: 10,000 mmf (AEV type P488 or P487)	1	
-18	Coml	C127	. Capacitor, fixed: 10,000 mmf (AEV type P488 or P487)	1	
RADIO RECEIVER SP-600-JX-17, RACK MOUNTINGS 3.5-MC OSCILLATOR					
37	31131-2	-	3.5-mc Oscillator (See Figure 32-14 for next higher assy)	Ref	
-1	31124-2	-	. Board, terminal	1	
-2	RC20BF433J	R38	. Resistor, fixed (JAN-R-11)	1	
-3	RC30BF203J	R40	. Resistor, fixed (JAN-R-11)	1	
-4	Coml	C103	. Capacitor, fixed: 22,000 mmf (AEV type P488 or P487)	1	
-5	Coml	C104	. Capacitor, fixed: 22,000 mmf (AEV type P488 or P487)	1	
-6	15621-1	L22	. Coil, RF: plate choke	1	
-7	31130-1	Y7	. Crystal Unit, quartz: one crystal plate included; 3.5 mc nominal frequency; marked 3,500 KC (BLY, type VX2)	1	
-8	CC21UJ050C	C167	. Capacitor, fixed (JAN-C-20A)	1	
-9	CC21UJ050C	C168	. Capacitor, fixed (JAN-C-20A)	1	
-10	CC20HJ150J	C171	. Capacitor, fixed (JAN-C-20A)	1	
-11	CC21UJ120J	C170	. Capacitor, fixed (JAN-C-20A)	1	
-12	23071-73	C173	. Capacitor, fixed	1	
-13	CM20C101G	C172	. Capacitor, fixed (JAN-C-5)	1	
-14	CM30C102G	C169	. Capacitor, fixed (JAN-C-5)	1	
-15	RC20BF222K	R118	. Resistor, fixed (JAN-R-11)	1	
-16	Coml	-	. Tubing: on one wire; plastic vinylite, white; hyflex, wire size No. 17 (IVI)	AR	

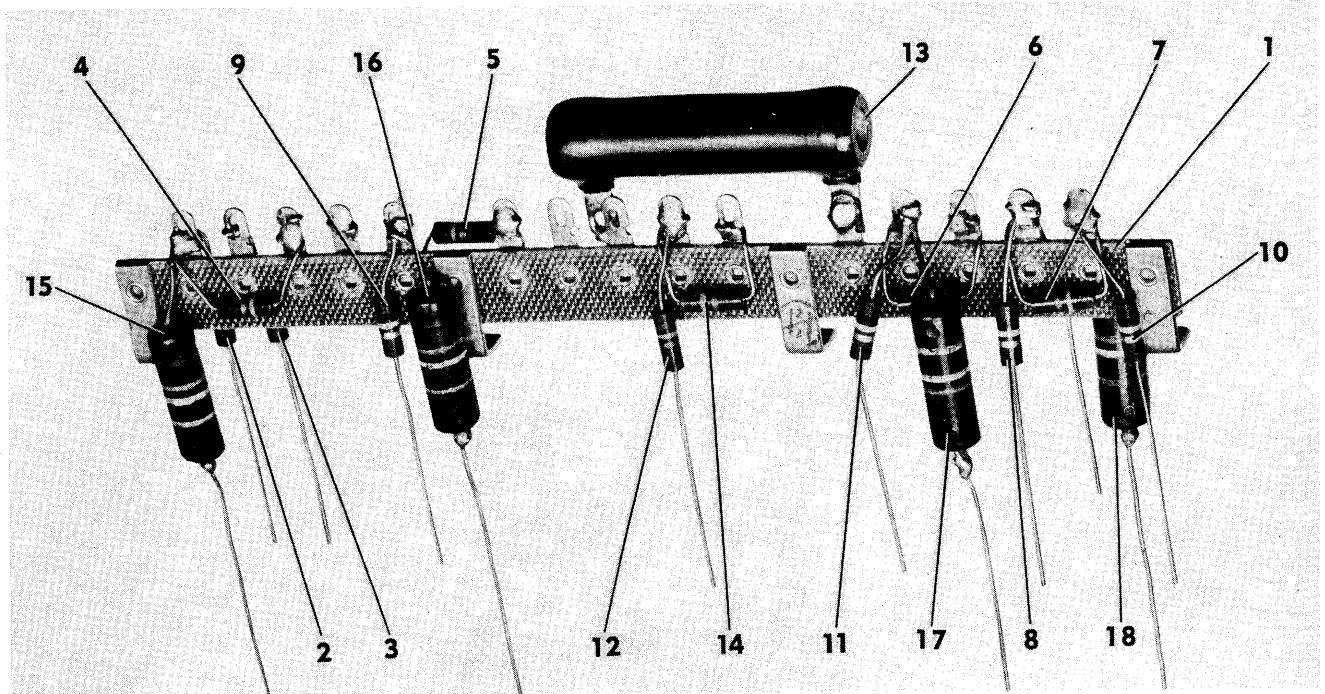


Figure 36. Resistor-Capacitor Subassembly

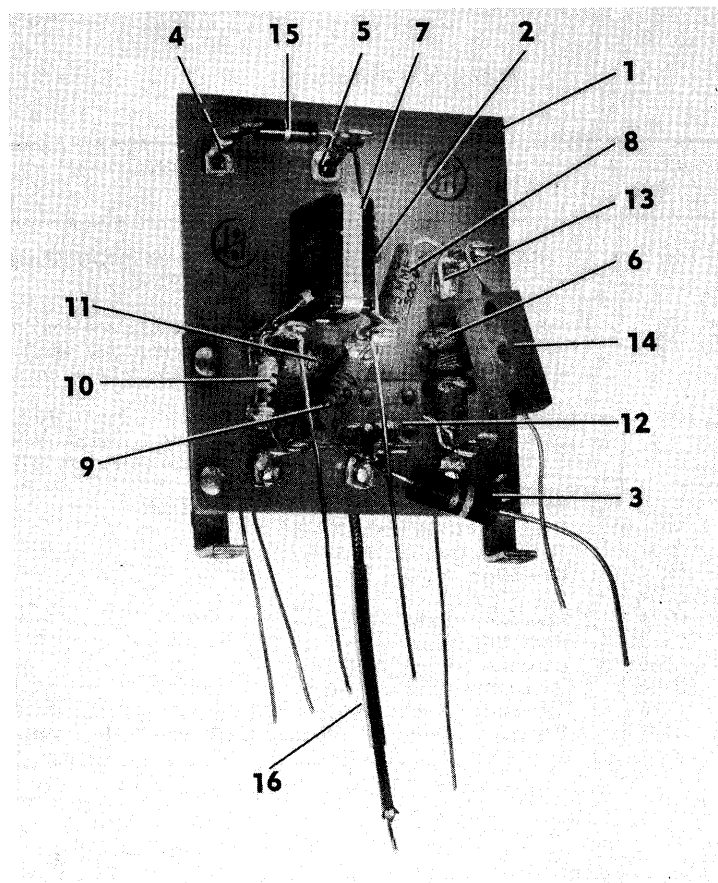


Figure 37. 3.5-MC Oscillator

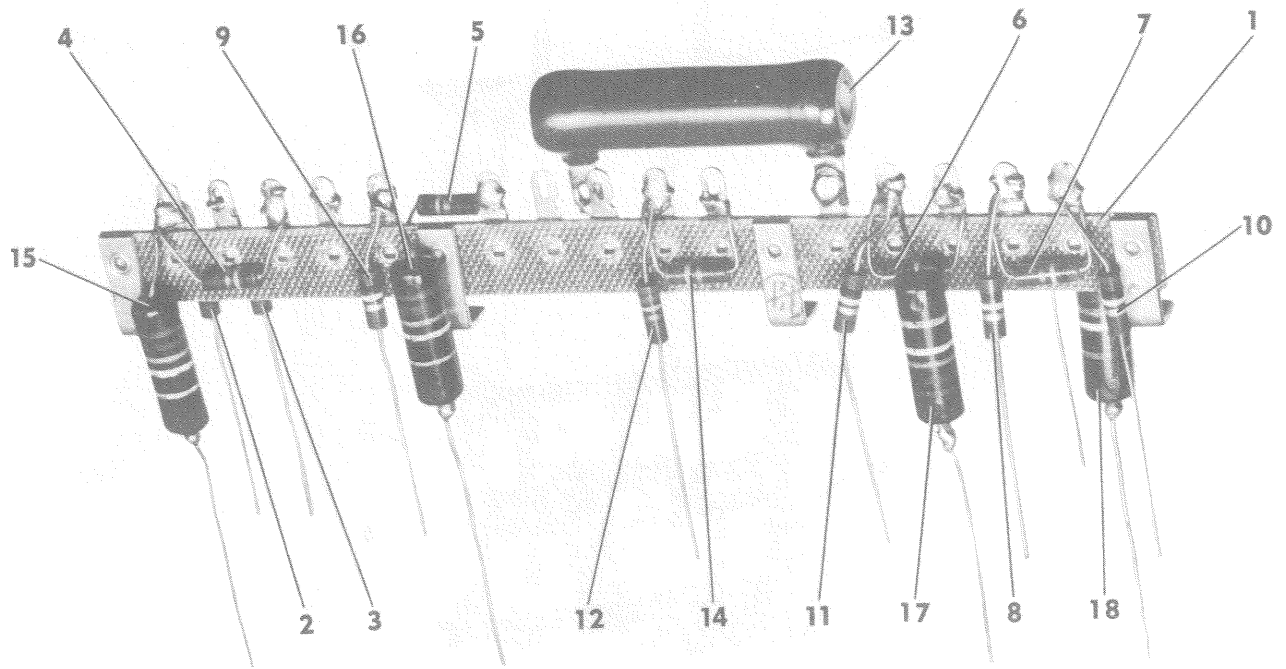


Figure 36. Resistor-Capacitor Subassembly

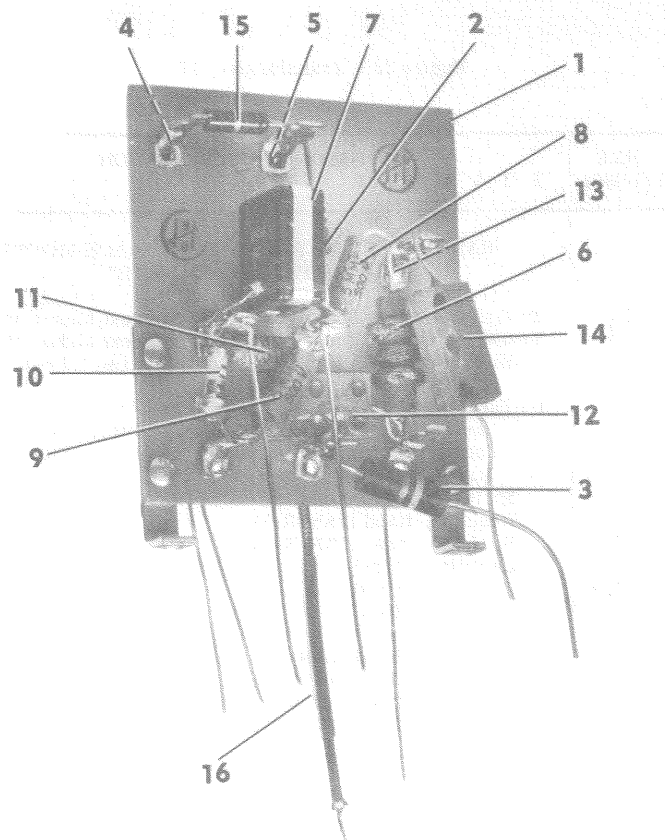


Figure 37. 3.5-MC Oscillator

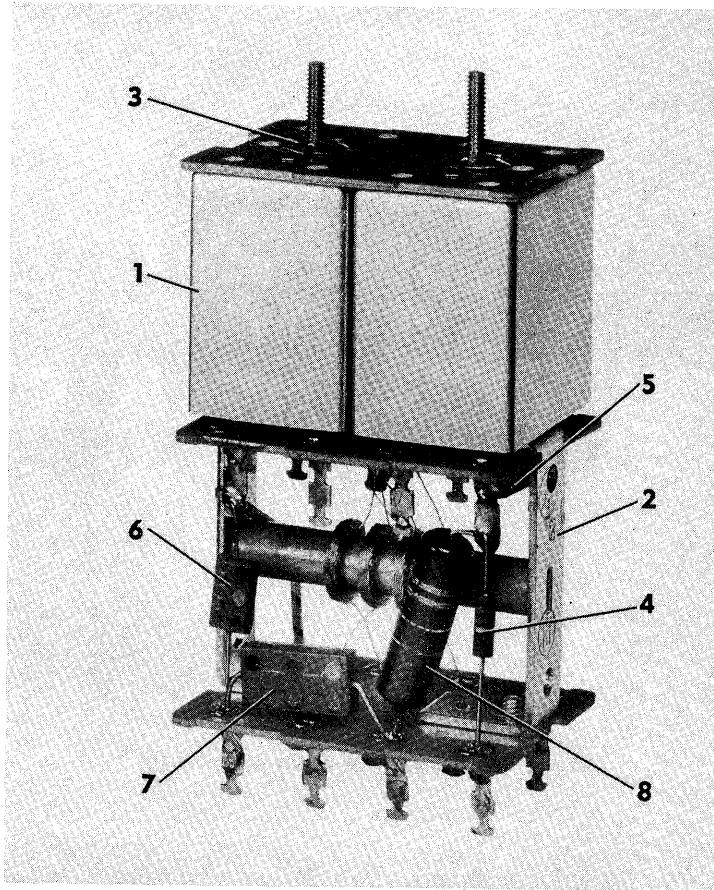


Figure 38. Transformer, IF

FIG & INDEX NO.	PART NUMBER	REF SYMBOL	NAME AND DESCRIPTION							UNITS PER ASSY	APPLI- CATION
			1	2	3	4	5	6	7		
			RADIO RECEIVER SP-600-JX-17, RACK MOUNTINGS TRANSFORMER, IF								
38	31102-2	T4								Ref	m
38	31102-2	T5								Ref	n
-1	31021-1	-									
										1	
-2	31101-1	-									
										1	
-3	11-593-A	-								2	
-4	RC20BF222K	R49								1	m
-4	RC20BF222K	R54								1	n
-5	23003-102C	C117								1	m
-5	23003-102C	C124								1	n
-6	23003-105C	C119								1	m
-6	23003-105C	C125								1	n
-7	CM30C132G	C120								1	m
-7	CM30C132G	C126								1	n
-8	Coml	C118								1	m
-8	Coml	C123								1	n

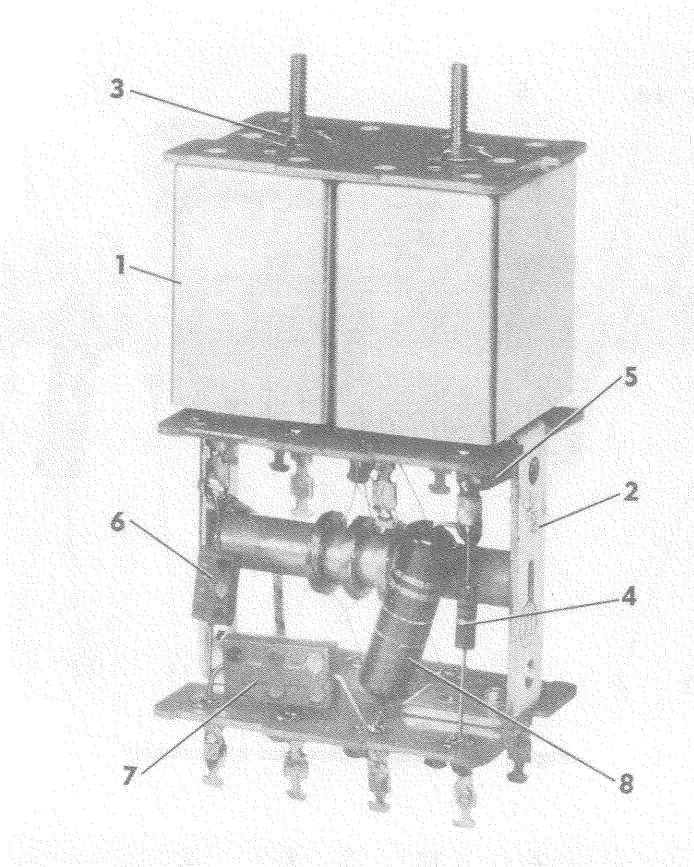


Figure 38. Transformer, IF

FIG & INDEX NO.	PART NUMBER	REF SYMBOL	NAME AND DESCRIPTION							UNITS PER ASSY	APPLI- CATION
			1	2	3	4	5	6	7		
			RADIO RECEIVER SP-600-JX-17, RACK MOUNTINGS TRANSFORMER, IF								
38	31102-2	T4								Ref	m
38	31102-2	T5								Ref	n
-1	31021-1	-									
-2	31101-1	-								1	
-3	11-593-A	-								1	
-4	RC20BF222K	R49								2	
-4	RC20BF222K	R54								1	m
-5	23003-102C	C117								1	n
-5	23003-102C	C124								1	m
-6	23003-105C	C119								1	n
-6	23003-105C	C125								1	m
-7	CM30C132G	C120								1	n
-7	CM30C132G	C126								1	m
-8	Coml	C118								1	n
-8	Coml	C123								1	m
										1	n

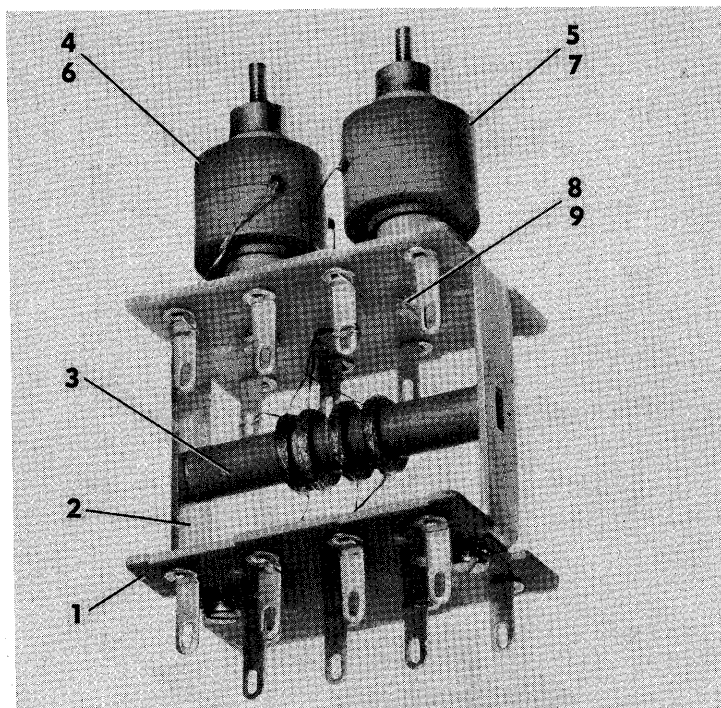


Figure 39. I-F Subassembly

FIG & INDEX NO.	PART NUMBER	REF SYMBOL	NAME AND DESCRIPTION							UNITS PER ASSY	APPLI- CATION
			1	2	3	4	5	6	7		
			RADIO RECEIVER SP-600-JX-17, RACK MOUNTINGS I-F SUBASSEMBLY								
39	31101-1	-								Ref	m, n
-1	31092-1	-								2	
-2	31017-2	-								2	
-3	31026-1	L40								1	m
-3	31026-1	L43								1	n
-4	31067-1	L38								1	m
-5	31067-1	L39								1	m
-6	31067-1	L41								1	n
-7	31067-1	L42								1	n
-8	Coml	-								2	
-9	AN936B6	-								2	
			RADIO RECEIVER SP-600-JX-17, RACK MOUNTINGS TRANSFORMER, IF (3.955 MC)								
40	31116-2	T2								Ref	
-1	Coml	C98								1	
-2	Coml	C157								1	
-3	23003-87C	C99								1	
-4	23071-58	C97								1	
-5	RC20BF104K	R35								1	
-6	15613-1	L50								1	
-7	31209-1	-								1	
-8	31115-1	L34								1	
-9	31090-1	-								1	
-10	31110-1	-								1	
-11	31111-1	L33								1	
-12	31090-1	-								1	
-13	31022-1	-								1	
-14	11-593-A	-								2	
-15	31017-1	-								2	

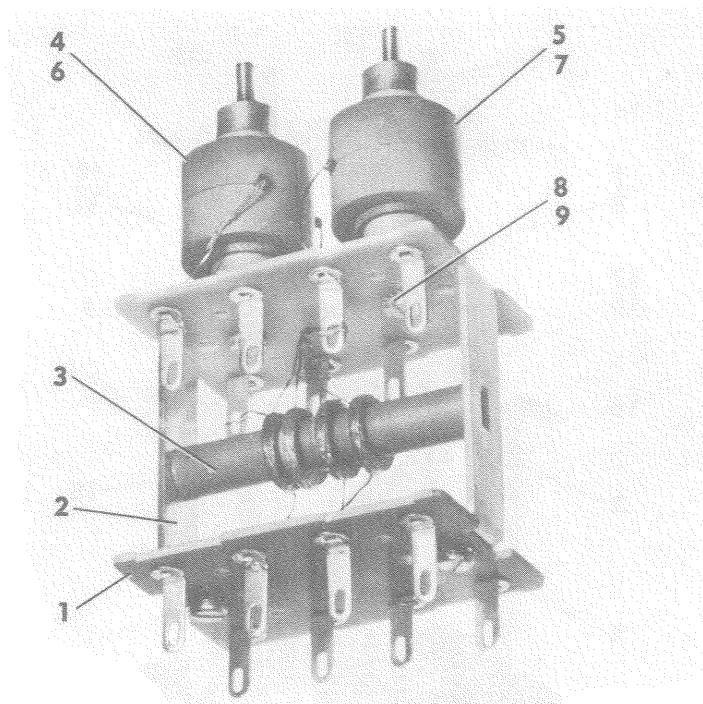


Figure 39. I-F Subassembly

FIG & INDEX NO.	PART NUMBER	REF SYMBOL	NAME AND DESCRIPTION							UNITS PER ASSY	APPLI-CATION
			1	2	3	4	5	6	7		
			RADIO RECEIVER SP-600-JX-17, RACK MOUNTINGS I-F SUBASSEMBLY								
39	31101-1	-	I-f Subassembly (See Figure 38-2 for next higher assy)							Ref	m, n
-1	31092-1	-	. Board, terminal							2	
-2	31017-2	-	. Bracket: part of subassembly; "U" shape							2	
-3	31026-1	L40	. Coil, RF: i-f transf coupling coil							1	m
-3	31026-1	L43	. Coil, RF: i-f transf coupling coil							1	n
-4	31067-1	L38	. Coil Assembly, IF: includes two iron cups							1	m
-5	31067-1	L39	. Coil Assembly, IF: includes two iron cups							1	m
-6	31067-1	L41	. Coil Assembly, IF: includes two iron cups							1	n
-7	31067-1	L42	. Coil Assembly, IF: includes two iron cups							1	n
-8	Coml	-	. Screw, mach: slot drive; binding hd; steel, cad. pl; No. 6-32, 5/16 in. lg; incl ext tooth steel cad. pl washer 0.270 in. dia x 0.021 in. thick (IFCO) (Att. Pt.)							2	
-9	AN936B6	-	. Washer, lock (Att. Pt.)							2	
			RADIO RECEIVER SP-600-JX-17, RACK MOUNTINGS TRANSFORMER, IF (3.955 MC)								
40	31116-2	T2	Transformer, IF (See Figure 32-8 for next higher assy)							Ref	
-1	Coml	C98	. Capacitor, fixed: 22,000 mmf (AEV type P488 or P487)							1	
-2	Coml	C157	. Capacitor, fixed: 22,000 mmf (AEV type P488 or P487)							1	
-3	23003-87C	C99	. Capacitor, fixed							1	
-4	23071-58	C97	. Capacitor, fixed							1	
-5	RC20BF104K	R35	. Resistor, fixed (JAN-R-11)							1	
-6	15613-1	L50	. Coil, RF: filament choke							1	
-7	31209-1	-	. I-f Coil and Ferrule Assembly							1	
-8	31115-1	L34	. . . Coil, RF: output of i-f transf							1	
-9	31090-1	-	. . . Core, adjustable tuning: incl powdered iron core and screw; end of core coated with green lacquer (CHL HF7 core type 3)							1	
-10	31110-1	-	. I-f Coil and Ferrule Assembly							1	
-11	31111-1	L33	. . . Coil, RF: input and tertiary wdg of i-f transf							1	
-12	31090-1	-	. . . Core, adjustable tuning: incl powdered iron core and screw; end of core coated with green lacquer (CHL HF7 core type 3)							1	
-13	31022-1	-	. Board, carrying							1	
-14	11-593-A	-	. Spring: flat type; cad. pl (SKL) (Att. Pt.)							2	
-15	31017-1	-	. Bracket: part of i-f transf; "U" shape							2	

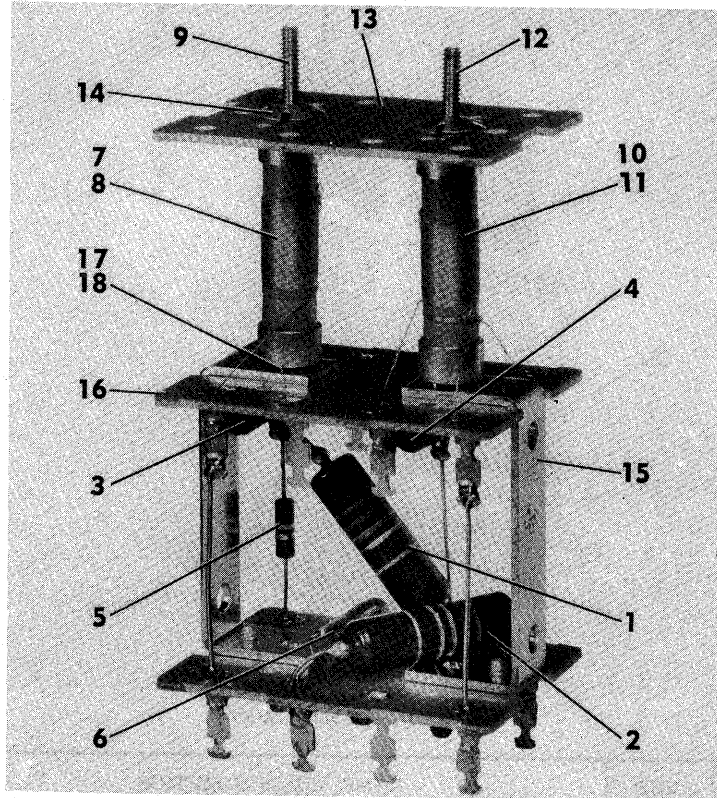


Figure 40. Transformer, IF (3.955 MC)

FIG & INDEX NO.	PART NUMBER	REF SYMBOL	NAME AND DESCRIPTION							UNITS PER ASSY	APPLI- CATION
			1	2	3	4	5	6	7		
			RADIO RECEIVER SP-600-JX-17, RACK MOUNTINGS TRANSFORMER, IF (3.955 MC) (cont)								
40-16	31092-1	-								2	
-17	AN936B6	-								2	
-18	Coml	-								2	
			RADIO RECEIVER SP-600-JX-17, RACK MOUNTINGS BEAT-FREQUENCY OSCILLATOR								
41	31106-1	T6								Ref	
-1	23003-109C	C131								1	
-2	23003-109C	C133								1	
-3	23003-87C	C134								1	
-4	CM30C242J	C132.								1	
-5	CC21UJ270J	C130								1	
-6	RC20BF473K	R77								1	
-7	RC20BF104K	R76								1	
-8	31241-1	-								1	
-9	10012-41	-								1	
-10	AN936A6	-								1	
-11	15615-2	L46								1	
-12	31070-1	-								1	
-13	31072-1	L45								1	
-14	31018-1	-								1	
-15	31071-1	-								1	
-16	31073-1	L44								1	
-17	31018-1	-								1	

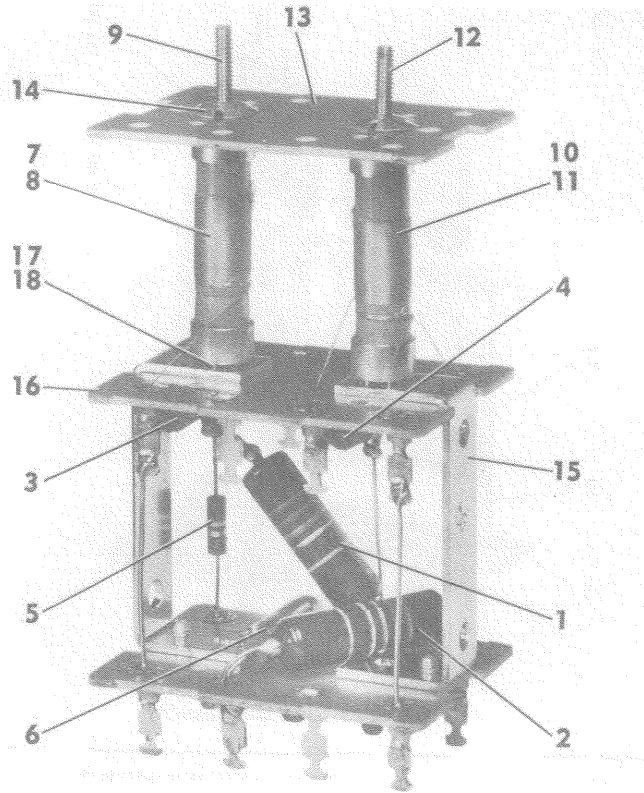


Figure 40. Transformer, IF (3.955 MC)

FIG & INDEX NO.	PART NUMBER	REF SYMBOL	NAME AND DESCRIPTION							UNITS PER ASSY	APPLI- CATION
			1	2	3	4	5	6	7		
			RADIO RECEIVER SP-600-JX-17, RACK MOUNTINGS TRANSFORMER, IF (3.955 MC) (cont)								
40-16	31092-1	-	.							2	
-17	AN936B6	-	.							2	
-18	Coml	-	.							2	
			RADIO RECEIVER SP-600-JX-17, RACK MOUNTINGS BEAT-FREQUENCY OSCILLATOR								
41	31106-1	T6	.							Ref	
-1	23003-109C	C131	.							1	
-2	23003-109C	C133	.							1	
-3	23003-87C	C134	.							1	
-4	CM30C242J	C132.	.							1	
-5	CC21UJ270J	C130	.							1	
-6	RC20BF473K	R77	.							1	
-7	RC20BF104K	R76	.							1	
-8	31241-1	-	.							1	
-9	10012-41	-	.							1	
-10	AN936A6	-	.							1	
-11	15615-2	L46	.							1	
-12	31070-1	-	.							1	
-13	31072-1	L45	.							1	
-14	31018-1	-	.							1	
-15	31071-1	-	.							1	
-16	31073-1	L44	.							1	
-17	31018-1	-	.							1	
			. . . Core, adjustable tuning; incl powdered iron core and screw; end of core coated with white lacquer (CHL HF7 core type 3)								

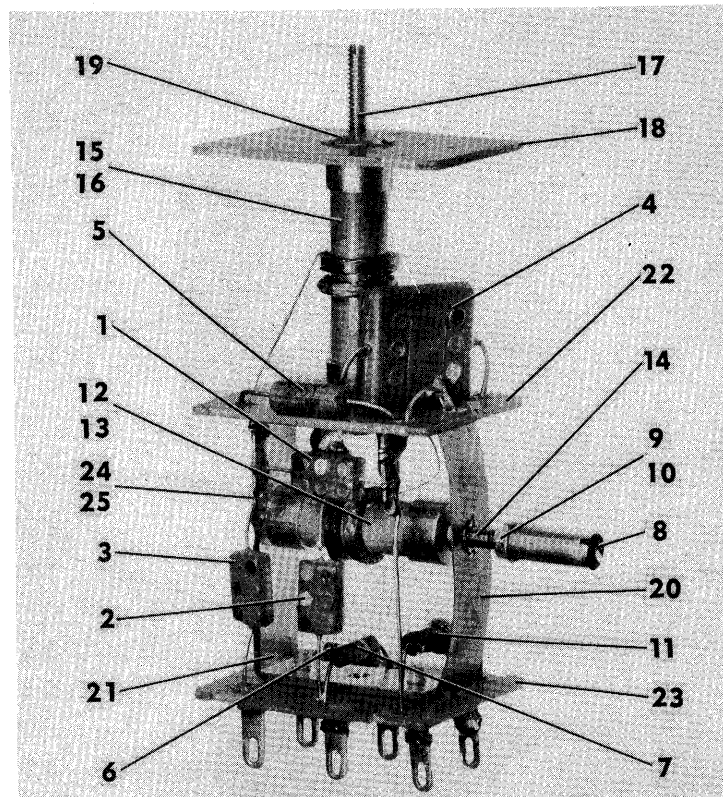


Figure 41. Beat-frequency Oscillator

FIG & INDEX NO.	PART NUMBER	REF SYMBOL	NAME AND DESCRIPTION							UNITS PER ASSY	APPLI- CATION
			1	2	3	4	5	6	7		
			RADIO RECEIVER SP-600-JX-17, RACK MOUNTINGS BEAT FREQUENCY OSCILLATOR (cont)								
41-18	31027-1	-								1	
-19	11-593-A	-								1	
-20	31076-1	-								1	
-21	31028-1	-								1	
-22	31091-1	-								1	
-23	31091-2	-								1	
-24	AN936B6	-								2	
-25	Coml	-								2	
			RADIO RECEIVER SP-600-JX-17, RACK MOUNTINGS TRANSFORMER, IF (CRYSTAL FILTER)								
42	31114-2	T3								Ref	
-1	31471-2	Y8								1	
-2	Coml	-								AR	
-3	Coml	-								AR	
-4	RC20BF222K	R41								1	
-5	23003-104C	C114								1	
-6	23003-102C	C107								1	
-7	23003-94C	C110								1	
-8	23003-94C	C112								1	
-9	23003-94C	C113								1	
-10	11776-1	C111								1	
-11	2104-4	-								1	
-12	Coml	-								2	

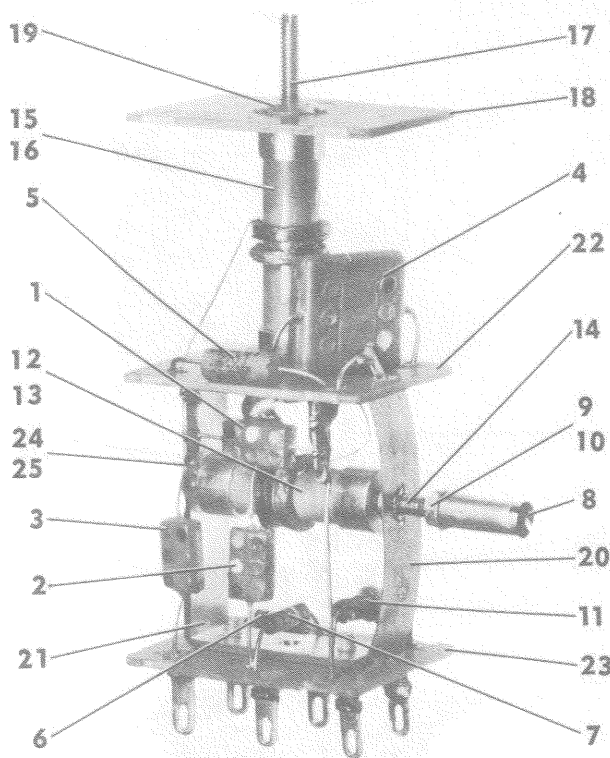


Figure 41. Beat-frequency Oscillator

FIG & INDEX NO.	PART NUMBER	REF SYMBOL	NAME AND DESCRIPTION							UNITS PER ASSY	APPLI- CATION
			1	2	3	4	5	6	7		
			RADIO RECEIVER SP-600-JX-17, RACK MOUNTINGS BEAT FREQUENCY OSCILLATOR (cont)								
41-18	31027-1	-	.							1	
-19	11-593-A	-	.							1	
-20	31076-1	-	.							1	
-21	31028-1	-	.							1	
-22	31091-1	-	.							1	
-23	31091-2	-	.							1	
-24	AN936B6	-	.							2	
-25	Coml	-	.							2	
			RADIO RECEIVER SP-600-JX-17, RACK MOUNTINGS TRANSFORMER, IF (CRYSTAL FILTER)								
42	31114-2	T3								Ref	
-1	31471-2	Y8	.							1	
-2	Coml	-	.							AR	
-3	Coml	-	.							AR	
-4	RC20BF222K	R41	.							1	
-5	23003-104C	C114	.							1	
-6	23003-102C	C107	.							1	
-7	23003-94C	C110	.							1	
-8	23003-94C	C112	.							1	
-9	23003-94C	C113	.							1	
-10	11776-1	C111	.							1	
-11	2104-4	-	.							1	
-12	Coml	-	.							2	

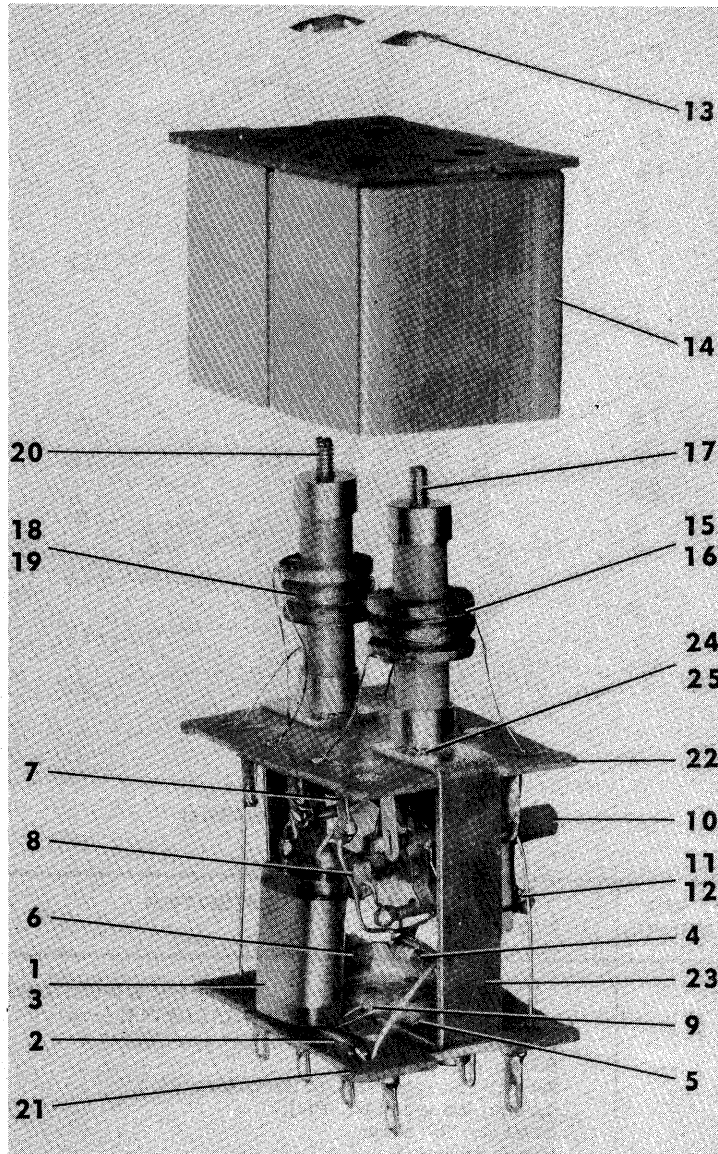


Figure 42. Transformer, IF (Crystal Filter)

FIG & INDEX NO.	PART NUMBER	REF SYMBOL	NAME AND DESCRIPTION							UNITS PER ASSY	APPLI- CATION
			1	2	3	4	5	6	7		
			RADIO RECEIVER SP-600-JX 17, RACK MOUNTINGS TRANSFORMER, IF (CRYSTAL) (cont)								
42-13	11-593-A	-	2	
-14	31021-1	-	1	
-15	31068-1	-	1	
-16	31057-1	L37	1	
-17	31018-1	-	1	
-18	31242-1	-	1	
-19	31093-1	L36	1	
-20	31018-1	-	1	
-21	31092-1	-	1	
-22	31094-1	-	1	
-23	31017-1	-	2	

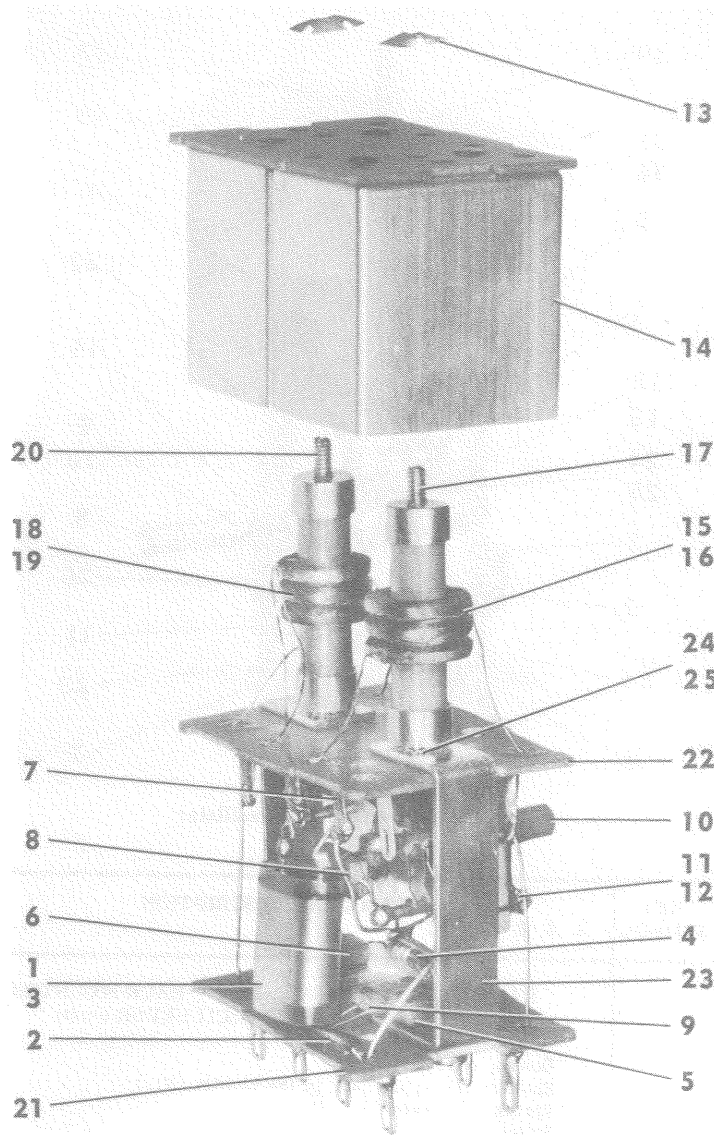


Figure 42. Transformer, IF (Crystal Filter)

FIG & INDEX NO.	PART NUMBER	REF SYMBOL	NAME AND DESCRIPTION							UNITS PER ASSY	APPLI- CATION
			1	2	3	4	5	6	7		
			RADIO RECEIVER SP-600-JX 17, RACK MOUNTINGS TRANSFORMER, IF (CRYSTAL) (cont)								
42-13	11-593-A	-	2	
-14	31021-1	-	1	
-15	31068-1	-	1	
-16	31057-1	L37	1	
-17	31018-1	-	1	
-18	31242-1	-	1	
-19	31093-1	L36	1	
-20	31018-1	-	1	
-21	31092-1	-	1	
-22	31094-1	-	1	
-23	31017-1	-	2	

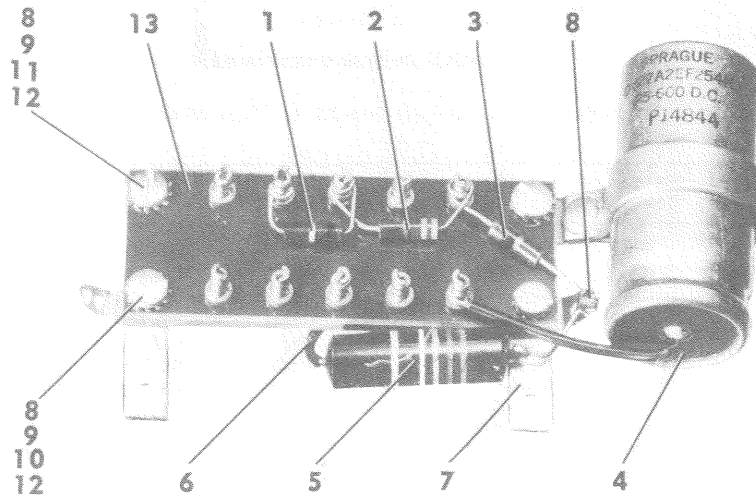


Figure 43. Resistor-Capacitor Subassembly

FIG & INDEX NO.	PART NUMBER	REF SYMBOL	NAME AND DESCRIPTION							UNITS PER ASSY	APPLI- CATION
			1	2	3	4	5	6	7		
			RADIO RECEIVER SP-600-JX-17, RACK MOUNTINGS TRANSFORMER, IF (CRYSTAL) (cont)								
42-24	AN936B6	-	.							2	
-25	Coml	-	.							2	
			RADIO RECEIVER SP-600-JX-17, RACK MOUNTINGS RESISTOR-CAPACITOR SUBASSEMBLY								
43	33929-2	-								Ref	
-1	RC20BF105K	R48	.							1	
-2	RC20BF335K	R53	.							1	
-3	RC20BF112J	R94	.							1	
-4	CP27R2EF254	C163	.							1	
-5	Coml	C100	.							1	
-6	Coml	-	.								
-7	33926-1	-	.							AR	
-8	2116-06	-	.							2	
-9	AN936B6	-	.							4	
-10	Coml	-	.								
-11	Coml	-	.							3	
-12	10012-41	-	.							1	
-13	33928-2	E13	.							4	
			.							1	

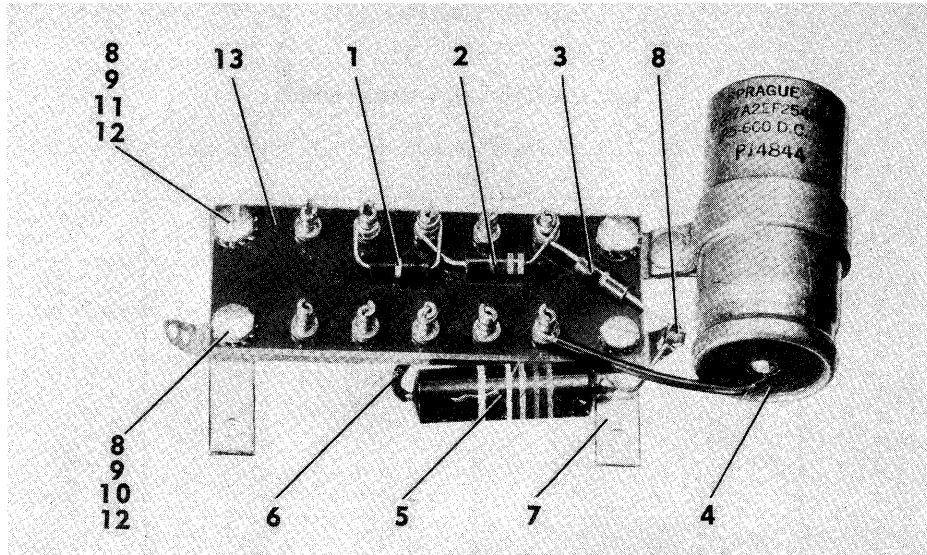


Figure 43. Resistor-Capacitor Subassembly

FIG & INDEX NO.	PART NUMBER	REF SYMBOL	NAME AND DESCRIPTION							UNITS PER ASSY	APPLI- CATION
			1	2	3	4	5	6	7		
42-24 -25	AN936B6 Coml	-	RADIO RECEIVER SP-600-JX-17, RACK MOUNTINGS TRANSFORMER, IF (CRYSTAL) (cont)							2	
		-	. Washer, lock (Att. Pt.) . Screw, mach: slot drive; binding hd; steel, cad. pl; No. 6-32, 5/16 in. lg; incl ext tooth steel cad. pl washer, 0.270 in. dia x 0.021 in. thick (IFCO) (Att. Pt.)							2	
43	33929-2	-	RADIO RECEIVER SP-600-JX-17, RACK MOUNTINGS RESISTOR-CAPACITOR SUBASSEMBLY								
		-	Resistor-Capacitor Subassembly (See Figure 32-199 for next higher assy)							Ref	
-1	RC20BF105K	R48	. Resistor, fixed							1	
-2	RC20BF335K	R53	. Resistor, fixed							1	
-3	RC20BF112J	R94	. Resistor, fixed							1	
-4	CP27R2EF254	C163	. Capacitor, fixed (JAN-C-25)							1	
-5	Coml	C100	. Capacitor, fixed: 22,000 mmf (AEV type P488 or P487)							1	
-6	Coml	-	. Tubing: covers capacitor lead; two pieces; extruded plastic vinylite, black; hyflex, wire size No. 17 (IVI)							AR	
-7	33926-1	-	. Bracket: cad. pl							2	
-8	2116-06	-	. Terminal, lug (SH)							2	
-9	AN936B6	-	. Washer, lock							4	
-10	Coml	-	. Screw, mach: slot drive; binding hd; steel, cad. pl; No. 6-32, 7/16 in. lg; incl ext tooth steel cad. pl washer 0.270 in. dia x 0.021 in. thick (IFCO) (Att. Pt.)							3	
-11	Coml	-	. Screw, mach: slot drive; binding hd; steel, cad. pl; No. 6-32, 3/8 in. lg; incl ext tooth steel cad. pl washer 0.270 in. dia x 0.021 in. thick (IFCO) (Att. Pt.)							1	
-12	10012-41	-	. Nut, hex: (Att. Pt.)							4	
-13	33928-2	E13	. Board, terminal: 10 terminals							1	

SECTION III
REFERENCE SYMBOL LIST

Radio Receiver, Model SP-600-JX-17, Rack Mountings

Reference Symbol	Figure & Index No.	Reference Symbol	Figure & Index No.	Reference Symbol	Figure & Index No.	Reference Symbol	Figure & Index No.
C1	8-27	C89	25-1	C157	40-2	E103	3-34
C3	14-1	C91	28-2	C158	32-118	E104	3-35
C5	17-1	C92	28-3	C159	32-119	F1	3-41
C6	20-2	C93	28-1	C160	32-120	F2	3-43
C8	20-1	C95	31-1	C161	5-9	J1	12-57
C9	23-2	C96	31-2	C162	32-96	J2	32-138
C11	23-1	C97	40-4	C163	43-4	J3	32-110
C12	26-1	C98	40-1	C164	35-10	J4	32-141
C14	26-2	C99	40-3	C165	32-87	J5	32-144
C15	29-1	C100	43-5	C166	32-95	J6	32-130
C17	29-2	C101	4-30	C167	37-8	J7	32-134
C18	12-30	C102	8-32	C168	37-9	J8	4-87
C19	12-9	C103	37-4	C169	37-14	L1	14-2
C20	12-10	C104	37-5	C170	37-11	L2	17-2
C21	12-11	C105	32-91	C171	37-10	L3	20-3
C22	12-12	C106	32-97	C172	37-13	L4	23-3
C23	12-13	C107	42-6	C173	37-12	L5	26-3
C24	12-14	C108	32-100	C174	32-85	L6	29-3
C25	12-31	C109	32-98	C175	12-29	L7	12-52
C27	15-1	C110	42-7	C176	36-15	L8	15-4
C29	18-1	C111	42-10	C177	32-86	L9	18-4
C30	21-4	C112	42-8	E1	12-63	L10	21-5
C32	21-3	C113	42-9	E2	32-192	L11	24-5
C33	24-4	C114	42-5	E3	32-194	L12	27-2
C35	24-3	C115	36-16	E4	32-123	L13	30-2
C37	27-1	C116	32-92	E5	32-142	L14	12-53
C39	30-1	C117	38-5	E6	32-12	L15	15-4
C40	12-15	C118	38-8	E7	32-193	L16	18-4
C41	12-16	C119	38-6	E8	32-136	L17	21-5
C42	12-17	C120	38-7	E9	32-4	L18	24-5
C43	12-18	C121	36-17	E10	32-177	L19	27-2
C44	12-19	C122	32-93	E11	4-14	L20	30-2
C45	4-15	C123	38-8	E12	4-39	L21	4-42
C47	15-1	C124	38-5	E13	43-13	L22	37-6
C49	18-1	C125	38-6	E14	32-203	L23	4-18
C50	21-4	C126	38-7	E15	34-1	L24	12-54
C52	21-3	C127	36-18	E16	35-1	L25	16-3
C53	24-4	C128	32-116	E17	36-1	L26	19-2
C55	24-3	C129	7-25	E18	6-15	L27	22-3
C57	27-1	C130	41-5	E19	4-57	L28	25-4
C59	30-1	C131	41-1	E61	8-34	L29	28-4
C60	4-16	C132	41-4	E62	8-38	L30	31-3
C61	4-17	C133	41-2	E63	8-42	L31	13-13
C62	4-40	C134	41-3	E64	8-46	L32	13-12
C63	4-46	C135	32-94	E65	8-50	L33	40-11
C64	4-41	C136	32-99	E66	8-54	L34	40-8
C65	4-53	C137	32-175	E68	8-35	L35	4-19
C66	12-20	C138	32-104	E69	8-39	L36	42-19
C67	13-5	C139	32-105	E70	8-43	L37	42-16
C68	12-21	C140	35-8	E71	8-47	L38	39-4
C69	13-6	C141	34-11	E72	8-51	L39	39-5
C70	13-3	C142	34-12	E73	8-55	L40	39-3
C71	12-22	C143	34-10	E75	8-36	L41	39-6
C72	12-23	C144	32-114	E76	8-40	L42	39-7
C73	12-24	C145	32-103	E77	8-44	L43	39-3
C74	12-25	C146	32-101	E78	8-48	L44	41-16
C75	12-32	C147	32-89	E79	8-52	L45	41-13
C77	16-2	C148	34-13	E80	8-56	L46	41-11
C78	16-1	C149	32-90	E85	8-37	L47	35-9
C79	12-6	C150	32-88	E86	8-41	L48	12-51
C80	12-7	C151	32-117	E87	8-45	L49	12-55
C82	19-1	C152	32-84	E88	8-49	L50	40-6
C83	22-2	C153	12-26	E89	8-53	L51	5-3
C85	22-1	C154	12-27	E90	8-57	L52	5-2
C87	25-2	C155	12-28	E101	3-32	L53	32-139
C88	25-3	C156	32-102	E102	3-33	L54	32-135

Reference Symbol	Figure & Index No.	Reference Symbol	Figure & Index No.	Reference Symbol	Figure & Index No.	Reference Symbol	Figure & Index No.
P1	3-5	R44	36-5	R94	43-3	V1	3-15
P2	3-6	R45	33-7	R95	36-14	V2	3-16
P4	3-1	R46	33-6	R96	36-12	V3	4-3
P5	3-3	R47	33-5	R97	32-46	V4	3-24
P6	3-7	R48	43-1	R98	32-65	V5	3-22
P7	3-8	R49	38-4	R99	32-77	V6	3-23
P8	4-3	R50	32-72	R100	35-7	V7	3-17
R1	12-48	R51	36-11	R101	32-186	V8	3-25
R2	12-39	R52	36-6	R102	4-21	V9	3-18
R3	12-46	R53	43-2	R103	15-3	V10	3-19
R4	12-33	R54	38-4	R104	15-3	V11	3-20
R5	12-42	R55	32-73	R105	18-2	V12	3-21
R6	12-34	R56	36-10	R106	18-2	V13	3-26
R7	15-2	R57	36-7	R107	21-2	V14	3-28
R8	18-3	R58	35-2	R108	21-2	V15	3-29
R9	21-1	R59	35-6	R109	24-1	V16	3-31
R10	24-2	R60	35-4	R110	24-1	V17	3-14
R11	12-4	R61	32-81	R111	35-5	V18	3-27
R12	12-40	R62	34-2	R112	32-83	V19	3-13
R13	12-49	R63	34-8	R113	32-82	V20	3-30
R14	12-47	R64	34-6	R114	32-79	X1	12-59
R15	12-43	R65	34-7	R115	36-8	X2	12-60
R16	12-35	R66	32-70	R116	32-67	X3	4-83
R17	15-2	R67	34-3	R117	32-78	X4	12-61
R18	18-3	R68	34-4	R118	37-15	X5	12-58
R19	21-1	R69	32-184	R119	32-80	X6	32-171
R20	24-2	R70	32-56	R120	4-44	X7	32-153
R21	12-5	R71	4-6	R121	12-38	X8	32-172
R22	12-41	R72	7-27	R122	36-4	X9	32-154
R23	4-50	R73	7-28	S2	4-51	X10	32-155
R24	4-43	R74	32-185	S3	3-77	X11	32-156
R25	4-20	R75	32-68	S4	10-11	X12	32-157
R26	12-50	R76	41-7	S5	33-1	X13	32-158
R27	12-44	R77	41-6	S6	32-48	X14	32-159
R28	12-45	R78	32-64	S7	32-47	X15	32-160
R29	12-36	R79	32-69	S8	32-45	X16	32-149
R30	12-37	R80	35-3	S9	32-49	X17	32-166
R31	13-2	R81	34-5	S10	32-52	X18	32-161
R32	36-2	R82	34-9	S11	32-50	X19	32-167
R33	32-75	R83	32-66	S12	32-181	X20	32-162
R34	4-45	R84	32-51	S13	32-182	X21	4-60
R35	40-5	R85	36-13	T1	8-21	X22	4-61
R36	32-76	R86	32-62	T2	32-8	X23	4-62
R37	32-74	R87	32-60	T3	32-9	X24	4-63
R38	37-2	R88	32-61	T4	32-10	X25	4-64
R39	36-3	R89	32-63	T5	32-11	X26	4-65
R40	37-3	R90	32-57	T6	32-13	Y7	37-7
R41	42-4	R91	32-58	T7	32-115	Y8	42-1
R42	32-71	R92	32-59	T8	32-31		
R43	36-9	R93	32-52	T35	4-22		

SECTION IV
SPECIAL SERVICE TOOLS LIST

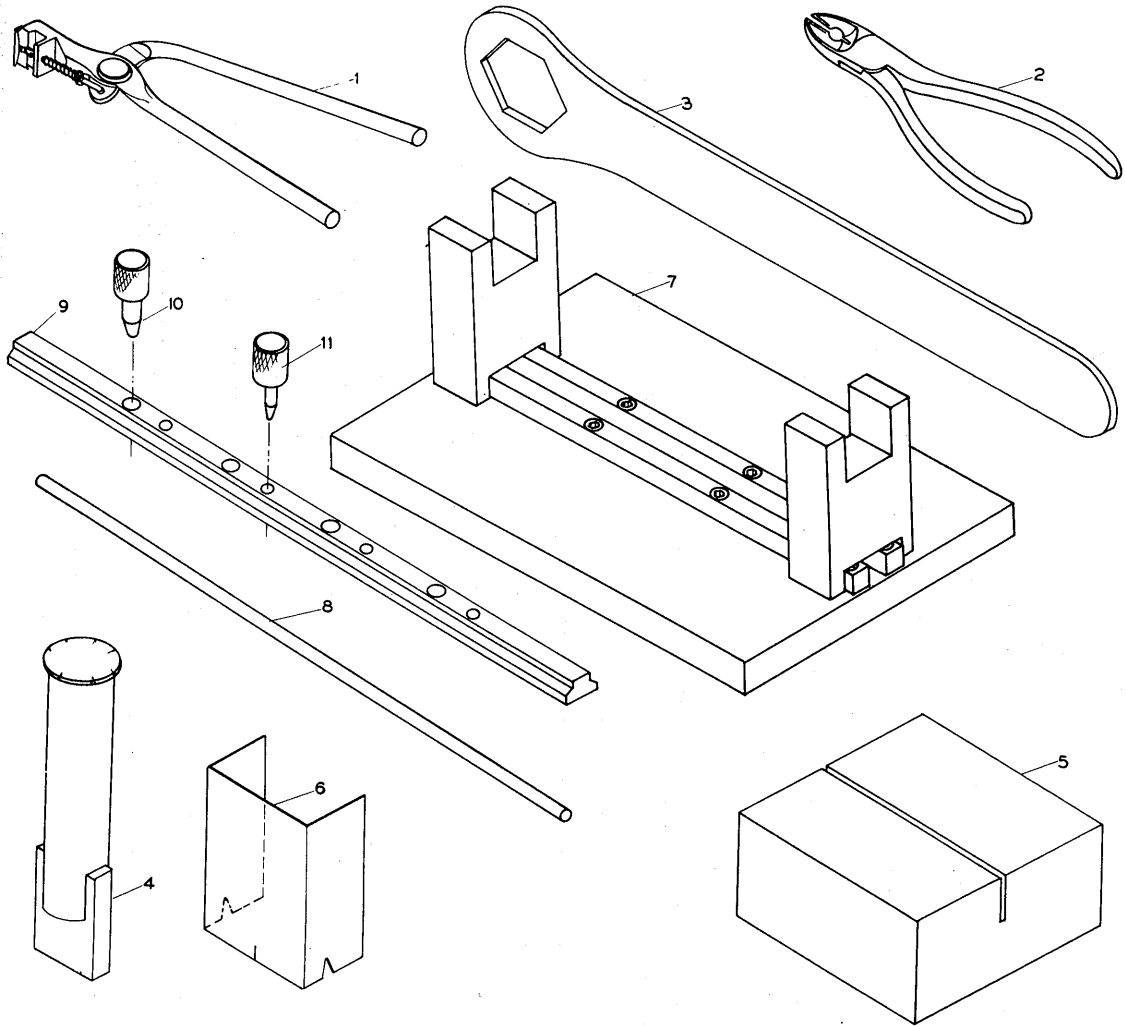


Figure 44. Special Service Tools

FIG & INDEX NO.	TOOL NO.	TOOL NAME	APPLICATION
44-1	T8222	Special pliers	R-f tuner springs
-2	T8334	Pliers	"C" washers, crimping
-3	T8333	Wrench, spanner	Turret rotor assy nuts
-4	T8331-1	Swage	Contact springs, tuning unit shield
-5	T8331-2	Mounting, seat	Contact springs, tuning unit shield
-6	T8335	Jig	Band dial location
-7	T7644	Jig, fixture	Turret rotor assy
-8	T8332	Rod, line-up	Turret rotor and tuning unit shield
-9	T7982-7	Pin, locating	R-f strip assy
-10	T7982-6	Bar, line-up	R-f strip assy
-11	T7982-5	Pin, locating	R-f strip assy

SECTION V
NUMERICAL PARTS INDEX

PART NUMBER	STOCK NUMBER		FIG. & INDEX	TOTAL PER EQUIP.	
	CODE	SERIAL			
Capacitor			4-16	40	
			4-17		
			4-30		
			12-9		
			12-10		
			12-11		
			12-12		
			12-13		
			12-14		
			12-15		
			12-16		
			12-17		
			12-18		
			12-19		
			12-20		
			12-21		
			12-22		
			12-23		
			12-24		
			12-25		
			12-26		
			12-27		
			12-28		
			12-29		
			13-3		
			14-1		
			15-1		
			17-1		
			18-1		
			32-91		
			32-92		
			32-93		
			32-94		
		32-95			
		36-15			
		36-16			
		36-17			
		36-18			
Capacitor			8-32	16	
			32-96		
			32-97		
			32-98		
			32-99		
			32-100		
			32-101		
			32-102		
			34-13		
			37-4		
			37-5		
			38-8		
			40-1		
			40-2		
			43-5		
	Clamp				5-8
Nut			4-69	41	
		4-91			
		6-7			
		32-148			
		32-152			
		32-174			
	Nut		3-51		8
			4-77		
	Nut		5-7		6
			7-38		
			32-24		
		32-34			

PART NUMBER	STOCK NUMBER		FIG. & INDEX	TOTAL PER EQUIP.
	CODE	SERIAL		
Resistor			7-25	1
Resistor			7-26	1
Screw			3-65	4
			3-69	
Screw			11-3	2
			11-12	
Screw			6-4	6
Screw			6-9	2
Screw			4-66	6
Screw			4-54	7
Screw			7-15	6
			7-6	
Screw			7-9	2
			7-11	
Screw			4-28	4
Screw			4-49	4
			32-169	
Screw			4-23	1
Screw			4-76	8
Screw			9-40	2
			3-87	
Screw			4-9	24
			4-55	
Screw			9-14	25
			11-10	
Screw			32-173	14
			4-86	
Screw			4-90	14
			32-165	
Screw			4-73	14
			9-17	
Screw			9-32	120
			32-197	
Screw			32-201	120
			43-11	
Screw			4-92	120
			8-9	
Screw			8-11	51
			8-16	
Screw			8-24	51
			8-26	
Screw			9-47	51
			10-3	
Screw			10-9	51
			13-15	
Screw			32-7	51
			32-17	
Screw			32-37	51
			32-42	
Screw			32-179	51
			32-191	
Screw			4-29	51
			4-35	
Screw			5-10	51
			7-3	
Screw			7-17	51
			7-33	
Screw			13-11	51
			32-38	
Screw			32-127	51
			32-206	
Screw			39-8	51
			40-18	
Screw			41-25	51
			42-25	
Screw			5-5	8
			32-146	
Screw				20

Section V
Numerical Parts Index

AN 16-45-436

PART NUMBER	STOCK NUMBER		FIG. & INDEX	TOTAL PER EQUIP.
	CODE	SERIAL		
Screw			9-12	2
Screw			2-3	10
			8-31	
			32-30	
Screw			32-44	6
Screw			3-83	16
			8-29	
			9-8	
			9-11	
			32-33	
Screw			7-22	25
			7-37	
			7-42	
			10-6	
Screw			3-81	5
			32-21	
Screw			8-22	4
Screw			9-34	5
			43-10	
Screw			4-74	9
			4-89	
Screw			12-62	12
Screw			42-12	2
Tubing			4-5	AR
			4-32	
Tubing			12-8	AR
Tubing			8-18	AR
			32-36	
			32-133	
Tubing			4-7	AR
			4-37	
			12-56	
			13-1	
			32-109	
			37-16	
			42-2	
			43-6	
Tubing			42-3	AR
Tubing			12-67	AR
Washer			9-39	6
AGC 3/8			3-43	2
			3-44	
AN3057-6			3-2	1
AN3057-10			3-4	1
AN3102A-14S-2S			32-141	1
AN3102A-18-3P			32-144	1
AN3108B-14S-2P			3-1	1
AN3108B-18-3S			3-3	1
AN935-4			3-67	2
AN935-6			3-74	1
AN936A10			3-88	15
AN936A2			7-5	8
AN936A4			4-68	16
AN936A6			41-10	1
AN936A616			3-12	13
AN936A8			4-80	2
AN936B4			32-147	42
AN936B6			4-24	61
AN936B6B			8-13	2
AN936B8			3-52	6
CC20CJ070F			26-1	1
CC20HJ150J			29-1	3
CC21UJ050C			12-6	4
CC21UJ120J			25-3	2
CC21UJ270J			41-5	1
CC21UJ510F			28-3	3
CC26SL101K			34-11	2
CC-80W-PP			4-57	1
CE33F200R			5-9	1
CE63D100H			32-116	5
CM20C101G			37-13	1
CM20C431G			35-8	2
CM30C102G			4-40	5
CM30C122G			22-1	1

PART NUMBER	STOCK NUMBER		FIG. & INDEX	TOTAL PER EQUIP.
	CODE	SERIAL		
CM30C132G			38-7	2
CM30C152G			23-1	4
CM30C242J			20-1	5
CM30C332G			16-2	1
CM35A103J			32-84	3
CM35A512J			32-89	3
CP27A2EF254			43-4	1
CP28AIEC254M			32-175	1
CP28AIEC503M			32-114	1
CP53B6EF503V			7-25	1
D-54108			6-13	1
JAN OA2			3-27	1
JAN 12AU7			3-31	1
JAN 5R4GY			3-13	1
JAN 6AH6			4-2	1
JAN 6AL5			3-28	3
JAN 6BA6			3-15	7
JAN 6BE6			3-22	2
JAN 6C4			3-24	3
JAN 6V6GT			3-14	1
JK-34A			32-110	1
PL-259			3-5	5
M-359			3-9	4
MDL 1-6/10			3-41	2
			3-42	
P11003			7-28	4
RC20BF100K			32-71	3
RC20BF101J			32-185	1
RC20BF102K			12-33	7
RC20BF103J			12-39	12
RC20BF104K			32-68	13
RC20BF105K			32-81	3
RC20BF112J			33-6	2
RC20BF124J			32-60	2
RC20BF151J			12-44	1
RC20BF152K			32-75	1
RC20BF181K			4-20	3
RC20BF183K			32-70	2
RC20BF203J			37-3	1
RC20BF220K			12-4	4
RC20BF222K			13-2	8
RC20BF223J			32-76	2
RC20BF223K			4-50	1
RC20BF240J			21-1	2
RC20BF241J			33-7	1
RC20BF273K			15-3	9
RC20BF333J			12-46	3
RC20BF334J			32-82	1
RC20BF335K			32-46	2
RC20BF391J			32-83	1
RC20BF433J			37-2	1
RC20BF471J			32-79	1
RC20BF473J			35-5	1
RC20BF473K			12-41	4
RC20BF474K			32-64	2
RC20BF510J			15-2	5
RC20BF511J			12-42	3
RC20BF681K			4-6	2
RC20BF682K			12-45	1
RC20BF821J			4-21	1
RC20BF823J			32-62	3
RC30BF104K			4-45	1
RC30BF203J			37-3	1
RC30BF222K			35-6	1
RC30BF361J			32-77	1
RG-58/U			32-132	AR
RW32G252			36-13	1
SO-239			4-87	5
TS101P01			32-166	2
TS102C01			12-58	1
TS102P01			4-83	14
TS102U01			3-37	1
TS102U02			3-38	11

PART NUMBER	STOCK NUMBER		FIG. & INDEX	TOTAL PER EQUIP.
	CODE	SERIAL		
TS102U03			3-39	1
TS103P01			32-149	1
TS103U02			3-36	2
T7644			44-7	1
T7982-5			44-11	4
T7982-6			44-10	4
T7982-7			44-9	1
T8222			44-1	1
T8331-1			44-4	1
T8331-2			44-5	1
T8332			44-8	1
T8333			44-3	1
T8334			44-2	1
T8335			44-6	1
T-2-5			32-4	5
			32-12	
			32-136	
			32-177	
			32-193	
T-8-6			32-203	1
UG-177/U			32-131	1
WA510			4-82	5
			9-30	
10002-16			4-67	6
10002-4			6-6	8
10002-62			7-29	4
10003-6			9-18	1
10006-26			32-108	4
10007-58			4-79	4
10010-19			7-40	2
10010-35			32-27	1
10012-39			33-4	2
10012-41			4-25	47
			4-36	
			7-32	
			10-10	
			32-39	
			32-129	
			32-170	
			32-180	
			32-198	
			32-202	
			32-207	
			41-9	
			43-12	
10012-67			9-19	1
10012-90			3-75	12
			4-52	
			6-18	
			6-23	
			6-26	
			10-13	
			32-55	
			32-188	
10013-57			6-11	4
10020-122			7-24	2
10023-48			3-86	8
10026-14			33-3	2
10027-13			9-20	2
10041-1			2-5	4
10049-2			8-14	2
10052-9			4-12	2
10059-29			4-47	2
103			8-7	1
11726-109			4-53	1
11776-1			42-10	1
11806-2			8-1	1
11806-3			8-2	1
11806-4			8-3	1
11890-1			9-42	1
11-593-A			13-7	9
			38-3	
			40-14	

PART NUMBER	STOCK NUMBER		FIG. & INDEX	TOTAL PER EQUIP.
	CODE	SERIAL		
			41-19	
			42-13	
1220-2			6-17	1
1369			(See Part No. 31488-1)	
139			8-20	2
1520			32-142	1
15342-11			32-51	1
15342-21			32-52	1
15342-4			32-186	1
15366-1			32-184	1
15611-1			12-51	1
15612-1			12-52	3
			12-53	
			12-54	
15613-1			12-55	2
			40-6	
15615-2			41-11	1
15616-1			35-9	1
15617-1			4-42	1
15621-1			37-6	1
15622-1			4-19	1
15623-1			4-18	1
15856-1			33-1	1
15862-2			10-11	1
15879-2			4-51	1
15923-1			32-183	2
15989-5			12-61	1
16140-2			4-19	1
16141-2			4-18	1
16174-1			4-84	11
			32-163	
16619-5			12-63	1
16642-1			3-10	5
			4-4	
19317-76			12-48	3
			12-49	
			12-50	
2			(See Part No. 16141-2)	
2029			32-112	2
2102-4			4-88	1
2104-4			42-11	1
2104-6			4-26	26
			7-27	
			8-17	
			13-4	
			32-15	
			32-121	
			32-140	
			32-137	
			32-143	
			32-145	
			32-150	
			32-176	
			32-190	
			32-195	
			32-205	
2109-10-01			32-32	1
2116-06			32-151	3
			43-8	
23003-2B			22-2	1
23003-41C			20-2	3
			21-4	
23003-45C			23-2	3
			24-4	
23003-47C			4-46	1
23003-87C			30-1	5
			31-1	
			40-3	
			41-3	
23003-94C			12-30	9
			12-31	
			12-32	
			27-1	
			28-2	
			42-7	

Section V
Numerical Parts Index

AN 16-45-436

PART NUMBER	STOCK NUMBER		FIG. & INDEX	TOTAL PER EQUIP.
	CODE	SERIAL		
			42-8	
			42-9	
23003-102C			13-6	4
			38-5	
			42-6	
23003-104C			42-5	1
23003-105C			38-6	2
23003-109C			41-1	2
			41-2	
23070-40			32-88	1
23071-50			25-2	1
23071-58			40-4	1
23071-59			13-5	1
23071-63			28-1	1
23071-64			25-1	1
23071-67			16-1	1
23071-72			4-15	1
23071-73			37-12	1
23072-52			31-2	1
23072-53			19-1	1
2423			32-123	1
			32-170	
2666			4-31	1
31002-1			11-7	7
31003-1			8-58	48
31004-1			14-3	36
			15-5	
			16-4	
			17-3	
			18-5	
			19-3	
			20-4	
			21-6	
			22-4	
			23-4	
			24-6	
			25-5	
			26-4	
			27-3	
			28-5	
			29-4	
			30-3	
			31-4	
31017-1			40-15	4
			42-23	
31017-2			39-2	2
31018-1			41-14	4
			41-17	
			42-17	
			42-20	
31019-1			32-3	3
31021-1			38-1	2
			42-14	
31022-1			40-13	1
31023-1			32-111	5
31026-1			39-3	2
31027-1			41-18	1
31028-1			41-21	1
31029-2			32-31	1
31030-2			5-3	1
31031-2			5-2	1
31036-1			9-37	1
31037-1			9-38	1
31047-1			9-10	1
31050-1			9-9	1
31052-1			9-24	1
31057-1			42-16	1
31059-1			9-7	3
31063-1			9-36	1
31065-1			11-4	3
31065-2			11-5	3
31066-1			11-6	1
31067-1			39-4	4

PART NUMBER	STOCK NUMBER		FIG. & INDEX	TOTAL PER EQUIP.
	CODE	SERIAL		
			39-5	
			39-6	
			39-7	
31068-1			42-15	1
31069-1			13-12	1
31070-1			41-12	1
31071-1			41-15	1
31072-1			41-13	1
31073-1			41-16	1
31076-1			41-20	1
31077-1			11-1	1
31078-1			11-2	1
31078-2			11-11	1
31080-1			10-1	1
31083-1			7-14	2
31085-1			9-33	1
31086-2			32-115	1
31089-1			12-3	24
31090-1			40-9	2
			40-12	
31091-1			41-22	1
31091-2			41-23	1
31092-1			39-1	5
			40-16	
			42-21	
31093-1			42-19	1
31094-1			42-22	1
31095-1			9-27	1
31096-1			9-28	1
31097-1			9-29	1
31098-1			9-26	1
31101-1			38-2	2
31102-2			32-10	2
			32-11	
31103-1			13-13	1
31105-1			32-6	1
31106-1			32-13	1
31110-1			40-10	1
31111-1			40-11	1
31114-2			32-9	1
31115-1			40-8	1
31116-2			32-8	1
31117-1			10-2	3
31119-1			8-28	1
31124-2			37-1	1
31125-1			9-3	1
31126-1			9-2	1
31128-1			8-10	1
31129-1			8-30	1
31130-1			37-7	1
31131-2			32-14	1
31132-1			32-5	1
31133-1			32-2	1
31135-5			32-209	1
31136-1			12-66	1
31137-1			9-35	1
31139-1			7-19	1
31140-2			32-189	1
31141-1			32-192	1
31142-1			7-20	5
			10-5	
			32-28	
31143-1			7-21	6
			7-41	
31144-1			10-4	1
31145-1			2-2	1
31146-1			7-18	1
31146-2			7-16	1
31150-1			9-21	1
31151-1			32-122	1
31155-1			8-25	1
31162-1			36-1	1
31163-1			34-1	2

PART NUMBER	STOCK NUMBER		FIG. & INDEX	TOTAL PER EQUIP.
	CODE	SERIAL		
31164-1			35-1	
31166-1			9-23	1
31169-1			9-43	1
31173-1			9-22	1
31176-1			9-25	1
31176-1			33-2	1
31177-1			9-6	1
31179-1			13-8	2
31181-1			13-9	1
31182-1			13-10	1
31183-1			8-21	1
31185-1			7-7	1
31186-1			7-10	1
31189-1			9-13	4
31192-1			11-9	1
31198-1			9-4	1
31199-1			7-4	2
31201-1			9-1	1
31202-1			9-15	1
31203-1			12-2	4
31204-1			11-8	1
31205-1			9-5	2
31209-1			40-7	1
31215-1			3-56	2
31216-1			32-53	1
31217-2			32-124	1
31219-6			6-1	1
31225-1			12-64	3
31226-1			12-65	1
31227-1			3-57	1
31227-2			3-58	1
31227-3			3-59	1
31227-4			3-60	1
31227-5			3-61	1
31231-2			8-23	1
31234-1			12-1	4
31235-4			32-208	1
31238-4			3-85	1
31239-1			9-44	3
31240-1			32-1	1
31241-1			41-8	1
31242-1			42-18	1
31244-1			16-3	1
31245-1			14-2	1
31246-1			15-4	2
31248-1			19-2	1
31249-1			17-2	1
31250-1			18-4	2
31251-1			22-3	1
31252-1			20-3	1
31253-1			21-5	2
31254-1			25-4	1
31255-1			23-3	1
31256-1			24-5	2
31257-1			28-4	1
31258-1			26-3	1
31259-1			27-2	2
31260-1			31-3	1
31261-1			29-3	1
31262-1			30-2	2
31275-1			4-56	1
31276-1			7-2	2
31277-1			9-41	1
31278-1			10-7	1
31279-1			9-46	3
31280-3			7-34	1
31281-1			6-3	2
31282-1			6-8	1
31283-1			6-2	2
31285-2			9-45	1
31286-1			5-1	1
31287-1			9-31	1
31288-1			9-16	1
31290-1			7-39	2

PART NUMBER	STOCK NUMBER		FIG. & INDEX	TOTAL PER EQUIP.
	CODE	SERIAL		
31291-3			8-33	1
31376-1			8-12	1
31378-1			8-15	1
31385-1			8-37	1
31386-1			8-35	2
			8-36	
31387-1			8-34	1
31388-1			8-41	1
31389-1			8-39	2
			8-40	
31390-1			8-38	1
31391-1			8-45	1
31392-1			8-43	2
			8-44	
31393-1			8-42	1
31394-1			8-49	1
31395-1			8-47	2
			8-48	
31396-1			8-46	1
31397-1			8-53	1
31398-1			8-51	2
			8-52	
31399-1			8-50	1
31403-1			8-57	1
31404-1			8-55	2
			8-56	
31405-1			8-54	1
31409-2			3-80	1
31410-2			4-92	1
31411-1			4-8	1
31412-1			4-59	1
31413-1			4-81	1
31414-1			4-75	1
31415-1			4-71	1
31416-1			4-70	1
31417-1			4-72	6
31418-1			4-78	4
31419-1			4-10	3
31419-2			4-11	1
31420-1			32-29	1
31421-1			32-26	4
31422-1			32-20	1
31423-1			3-50	1
31424-1			32-22	2
31425-1			32-23	1
31426-1			32-43	1
31427-1			14-4	4
			17-4	
			20-5	
			23-5	
31428-1			15-6	8
			16-5	
			18-6	
			21-7	
			22-5	
			24-7	
			27-4	
			30-4	
31429-1			26-5	2
			29-5	
31430-1			19-4	4
			25-6	
			28-6	
			31-5	
31431-1			6-19	1
31431-2			6-20	1
31431-3			6-21	1
31432-1			6-24	1
31433-1			3-72	1
31434-1			3-54	1
31434-2			3-55	3
31435-1			3-64	1
31436-1			3-68	1
31437-1			3-73	1

Section V
Numerical Parts Index

AN 16-45-436

PART NUMBER	STOCK NUMBER		FIG. & INDEX	TOTAL PER EQUIP.
	CODE	SERIAL		
31438-1			7-12	1
31439-1			7-13	1
31446-1			3-53	1
31447-1			3-82	1
31449-1			3-40	1
31452-1			8-4	1
31453-1			3-78	1
31454-1			6-15	1
31460-1			6-16	1
31462-1			3-62	1
31463-1			6-10	1
31469-1			3-77	1
31469-2			32-182	1
31469-3			32-181	1
31470-1			3-66	2
			3-70	
31471-2			42-1	1
31472-1			32-113	1
31476-1			2-4	1
31477-1			2-6	1
31479-1			8-5	1
31480-1			32-194	1
31483-1			4-58	1
31484-1			5-4	2
31488-1			32-135	2
			32-139	
31492-1			32-125	1
31493-1			32-107	1
31494-1			3-45	1
31495-1			3-46	1
33			8-6	1
33906-5			7-35	1
33908-1			6-14	1
33910-2			2	1
33911-2			2-1	1
33912-2			3-84	1
33914-1			4-14	1
33915-1			4-39	1
33916-1			4-13	1

PART NUMBER	STOCK NUMBER		FIG. & INDEX	TOTAL PER EQUIP.
	CODE	SERIAL		
33917-1			4-38	1
33922-1			4-22	1
33924-1			3-11	1
33926-1			43-7	2
33928-2			43-13	1
33929-2			32-199	1
34001-1			8-27	1
350-2			3-47	10
4			(See Part No. 16140-2)	
4099			32-106	4
415-2			3-49	1
415-3			3-48	3
47			3-32	4
			3-33	
			3-34	
			3-35	
4903-2			6-12	1
6039-1			3-63	1
78			4-33	7
			7-23	
			8-19	
			32-126	
79			32-35	4
81			3-79	4
81057N			32-50	1
8280			32-47	3
			32-48	
			32-49	
83-168			(See Part No. 16642-1)	
8363			32-45	1
915-LGB			(See Part No. 16619-5)	
9226-11			32-41	1
9226-13			7-1	4
9748-1			4-60	6
			4-61	
			4-62	
			4-63	
			4-64	
			4-65	